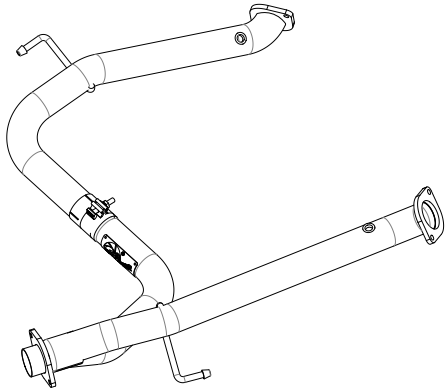




## INSTALLATION INSTRUCTIONS

**MAKE:** Toyota  
**MODEL:** Tacoma  
**YEAR:** 2005-2016  
**ENGINE:** V6-4.0L  
**Fits:** 2 Wheel Drive Only

**Y-Pipe**  
**48-46004**



### Parts Included:

- Exhaust Flange Gasket x2 (05-60366 )

### Tools Needed:

- 12mm & 14mm socket
- 3/8" drive ratchet
- 3/8" extension
- 12mm, 14mm open end wrench
- O2 sensor wrench

**CAUTION:** Allow time for your vehicle to cool down prior to installation. When working on or under your vehicle proceed with caution. Exhaust systems reach high temperatures and may cause serious burns. Wear protective safety equipment; eye goggles and gloves to ensure a safe installation. aFe recommends professional installation on our products.

1. Read Instructions prior to installation Secure vehicle on jack stands (refer to your manual for specified jack stand positions)
2. Disconnect the battery before starting work on the exhaust system.
3. Remove the O2 sensors from the Y-pipe.
4. Remove the x2 spring bolts on the Y-pipe to the exhaust system.
5. Remove Y-pipe and right side catalytic converter.
6. Install the Left side aFe power Y-pipe and clamp onto the Right side aFe power Y-pipe merge assembly.
7. Install the aFe power Y-pipe onto the OE manifolds using the supplied crush gaskets and original 10mm nuts and tighten.
8. Reinstall O2 sensors on Y-pipe.
9. Reinstall spring bolts and original donut gasket on Y-pipe to exhaust system and tighten.
10. Tighten clamp on aFe power Y-pipe.
11. Reconnect the battery.
12. Remove vehicle off jack stands.

**Note:** It is normal for the aFe power Y-pipe to emit smoke for the first few minutes upon initial start-up.