



## INSTALLATION INSTRUCTIONS

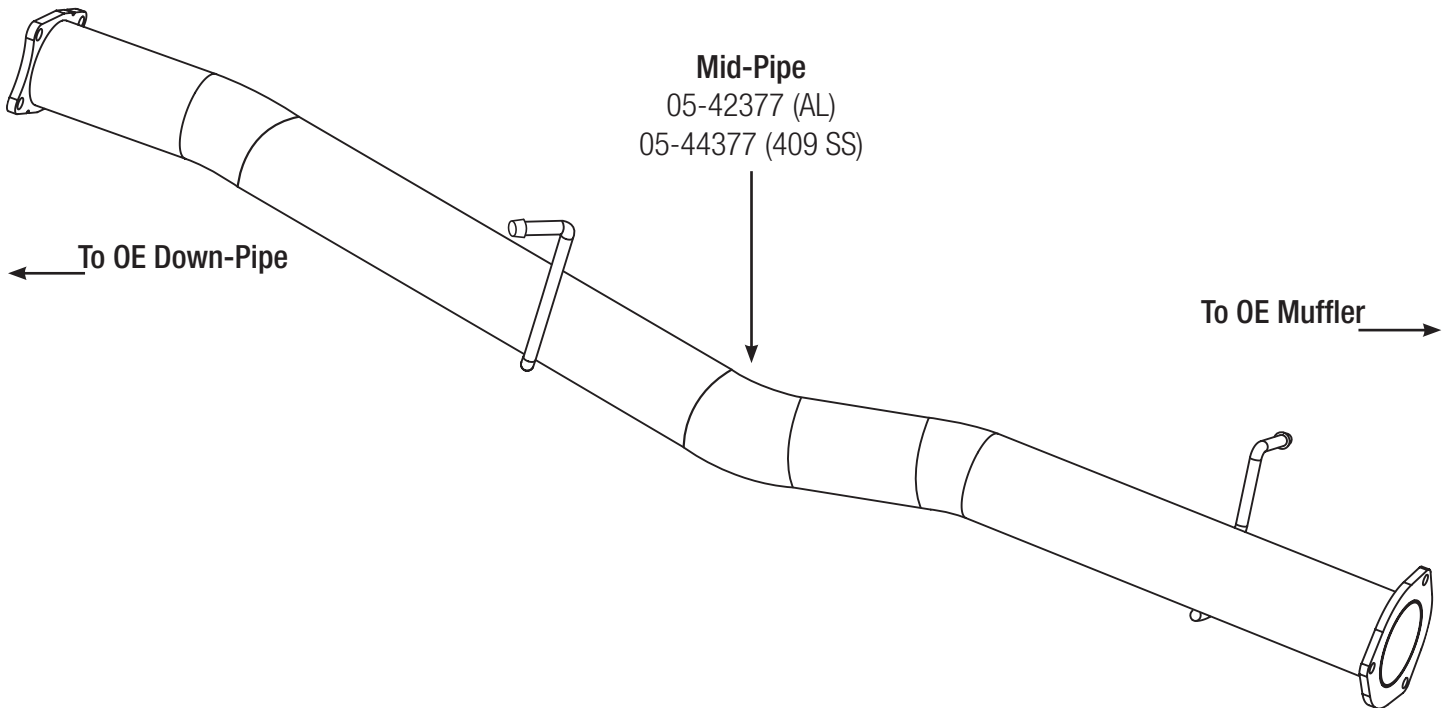
MAKE: GM  
MODEL: DURAMAX  
YEAR: 2007.5-2010  
ENGINE: V8-6.6L (td) LMM  
WHEELBASE: 167"

**4" DPF-Delete**  
**49-04015 (AL)**  
**49-44021 (409 SS)**  
CCLB (Crew Cab Long Bed)



### RACE ONLY DISCLAIMER

This is a Race Only product that is to be used solely for competition, it cannot be used on vehicles that are operated on public streets, roads or highways. Its use is limited to closed-course and open-course racing that is formally sanctioned by a recognized racing organization. Any other use, including recreational off-road use, could be in violation of local, state and federal laws. A competition acknowledgement / liability release form must be filled out and submitted.



**Step 1: (Read Instructions prior to installation)** Disconnect sensors at the connections. Take caution as not to damage any sensors. Remove CAT/DPF section of your trucks exhaust working your way forward. Take caution not to damage the factory isolation mounts as they will be reused. **It is recommended to not fully tighten the clamps until the entire system has been installed.**

**Step 2:** For faster installation spread the pieces of the exhaust along side of your vehicle according to the diagram shown.

**Step 3:** Attach mid-pipe using the supplied hardware.

**Step 4:** Adjust for alignment and tighten all connections. Your installation is now complete. It is recommended to re-tighten all exhaust components after the first 50-100 miles.

#### NOTES:

- aFe recommends that the tailpipe be at least 1/2"-1" away from any body panels to avoid heat related body damage. **Tighten and secure.**
- Controller/Programmers are required to operate this system.

**Caution:** Allow time for your vehicle to cool down prior to installation. When working on or under your vehicle proceed with caution. Exhaust systems reach high temperatures and may cause serious burns. Wear protective safety equipment; eye goggles and gloves to ensure a safe installation. **aFe recommends professional installation on our products.**