

**advanced FLOW engineering**

**Instruction Manual** P/N: 54-82038

---

Make: **Dodge** Model: **Diesel Trucks** Year: **2010-2012** Engine: **L6-6.7L**  
(For vehicles without factory bang bars)

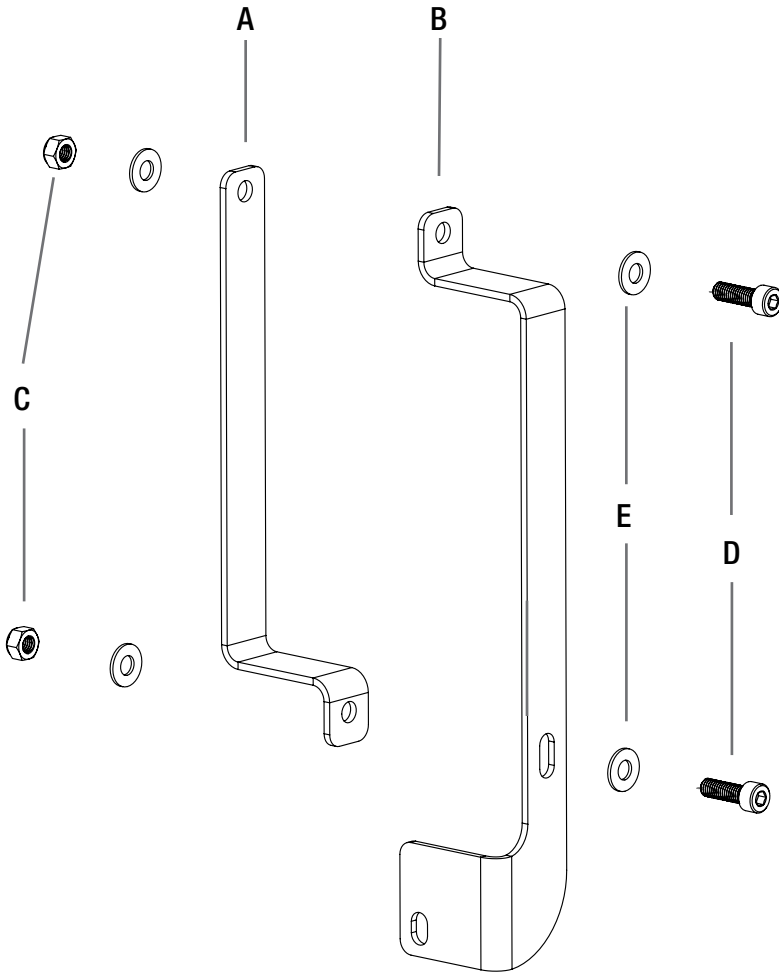


- Please read the entire instruction manual before proceeding.
- Ensure all components listed are present.
- If you are missing any of the components, call customer support at 951-493-7100.
- Ensure you have all necessary tools before proceeding.
- Do not attempt to work on your vehicle when the engine is hot.
- Disconnect the negative battery terminal before proceeding.
- Retain factory parts for future use.

Label	Qty.	Description	Part Number
A	1	Bracket #1	05-01247
B	1	Bracket #2	05-01248
C	2	Nut, Hex Nylon Lock	03-50244
D	2	Screws, Socket Head	03-50231
E	4	Washers, Flat	03-50228

**Installation will require the following tools:**  
6mm Allen Wrench, 13mm Socket.

Warranty Information available at: <https://afepower.com/contact#warranty>





**Refer to Figure A for Steps 1-3**

Step 1: Install the inside frame bracket (B) in front of the sway bar mount with the tab facing towards the front of the vehicle.

Step 2: Install the other frame bracket behind the front body mount.

Step 3: Attach the two brackets together using the supplied hardware. Loosely tighten the bolts.

REMOVAL



Figure B

**Refer to Figure B for step 4**

Step 4: Install the Dynamic Air Scoop as shown in the smaller picture, then attach with the supplied hardware (Do not tighten).

Step 5: Adjust the Dynamic Air Scoop so that it sits right below the lower spoiler. Then tighten all bolts

Step 6: Your installation is now complete.



Page left blank intentionally

Page left blank intentionally



**advanced FLOW engineering, inc.**

252 Granite Street Corona, CA 92879

TEL: 951.493.7100

E-Mail: [Tech@aFepower.com](mailto:Tech@aFepower.com)