

*advanced FLOW engineering*

**Instruction Manual** P/N: F2-02001

**FULLMETAL**  
*Power*

Make: **Dodge** Model: **Ram Trucks** Year: **2009-2012** Engine: **V8-5.7L**



- Please read the entire instruction manual before proceeding.
- Ensure all components listed are present.
- If you are missing any of the components, call customer support at 951-493-7100.
- Ensure you have all necessary tools before proceeding.
- Do not attempt to work on your vehicle when the engine is hot.
- Disconnect the negative battery terminal before proceeding.
- Retain factory parts for future use.

| Label | Qty. | Description          | Part Number           |
|-------|------|----------------------|-----------------------|
| A     | 1    | Pro Dry S Air Filter | 21-91040 (Gray Media) |
| B     | 1    | Heat Shield          | 05-01046              |
| C     | 1    | Tube                 | 05-01047P1            |
| D     | 1    | Coupling, Elbow      | 05-00464              |
| E     | 1    | Coupling, Elbow      | 05-00816              |
| F     | 1    | Clamp, #64           | 03-50006              |
| G     | 5    | Screw. Button Head   | 03-50113              |
| H     | 1    | Seal Trim, (29.25")  | 05-00072              |
| I     | 1    | Adaptor              | 05-00611              |
| J     | 1    | Grommet              | 03-50050              |
| K     | 1    | Hose (36")           | 05-00069              |
| L     | 3    | Clamp #56            | 05-50009              |

**Installation will require the following tools:**

Flat head screw driver, Phillips screw driver, 8mm socket, 10mm socket, Ratchet & 5/16 nut driver.

**Note:** Legal in California for use on race vehicles only. The use of this device on vehicles used on public streets or highways is strictly prohibited in California and others states that have adopted California emission regulations.

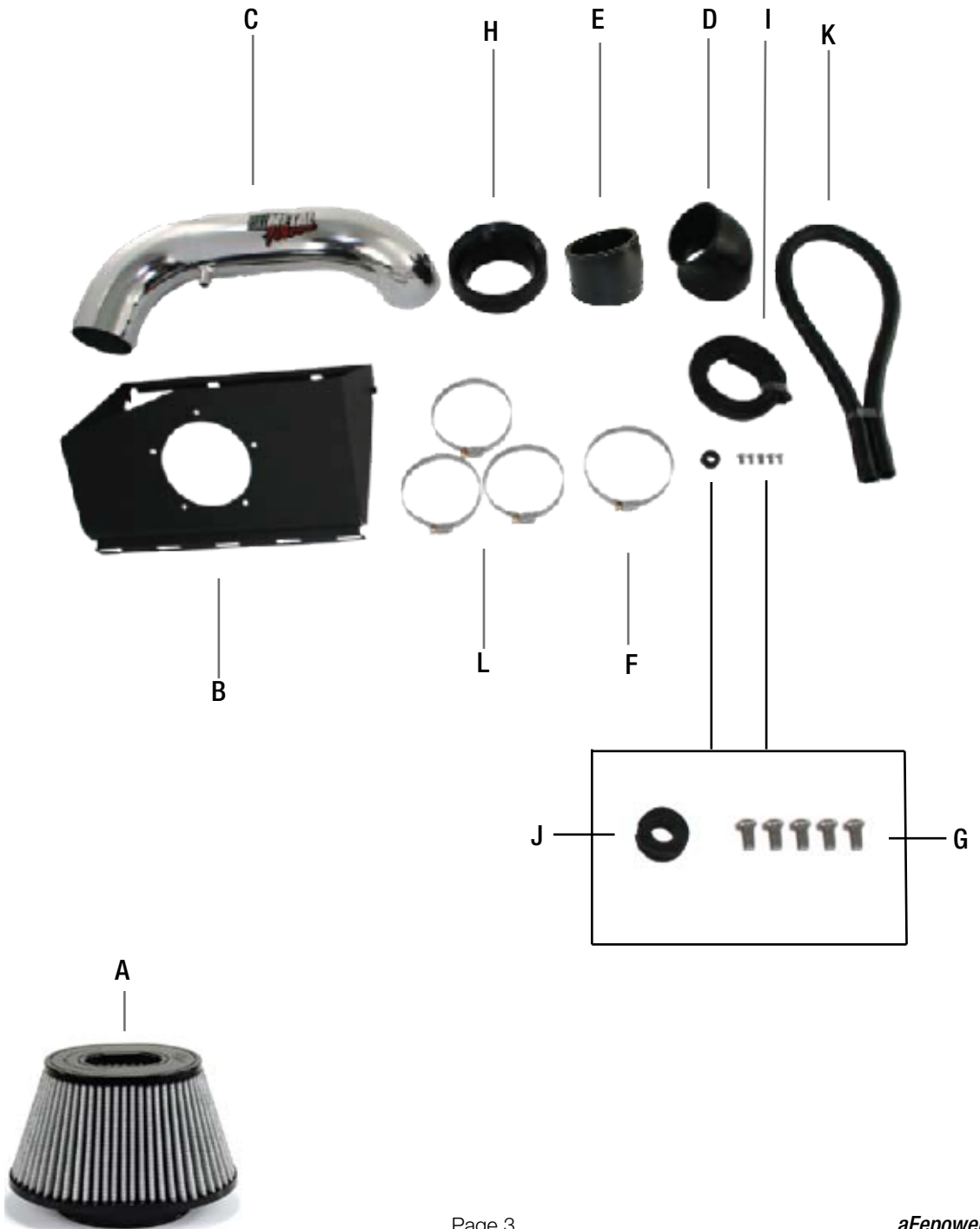




Figure A

**Refer to Figure A**

Step 1: Remove the 4 clips holding the top portion of the air box together. ①



Figure B

**Refer to Figure B**

Step 2: Disconnect the Temperature Sensor harness from factory Intake. ②

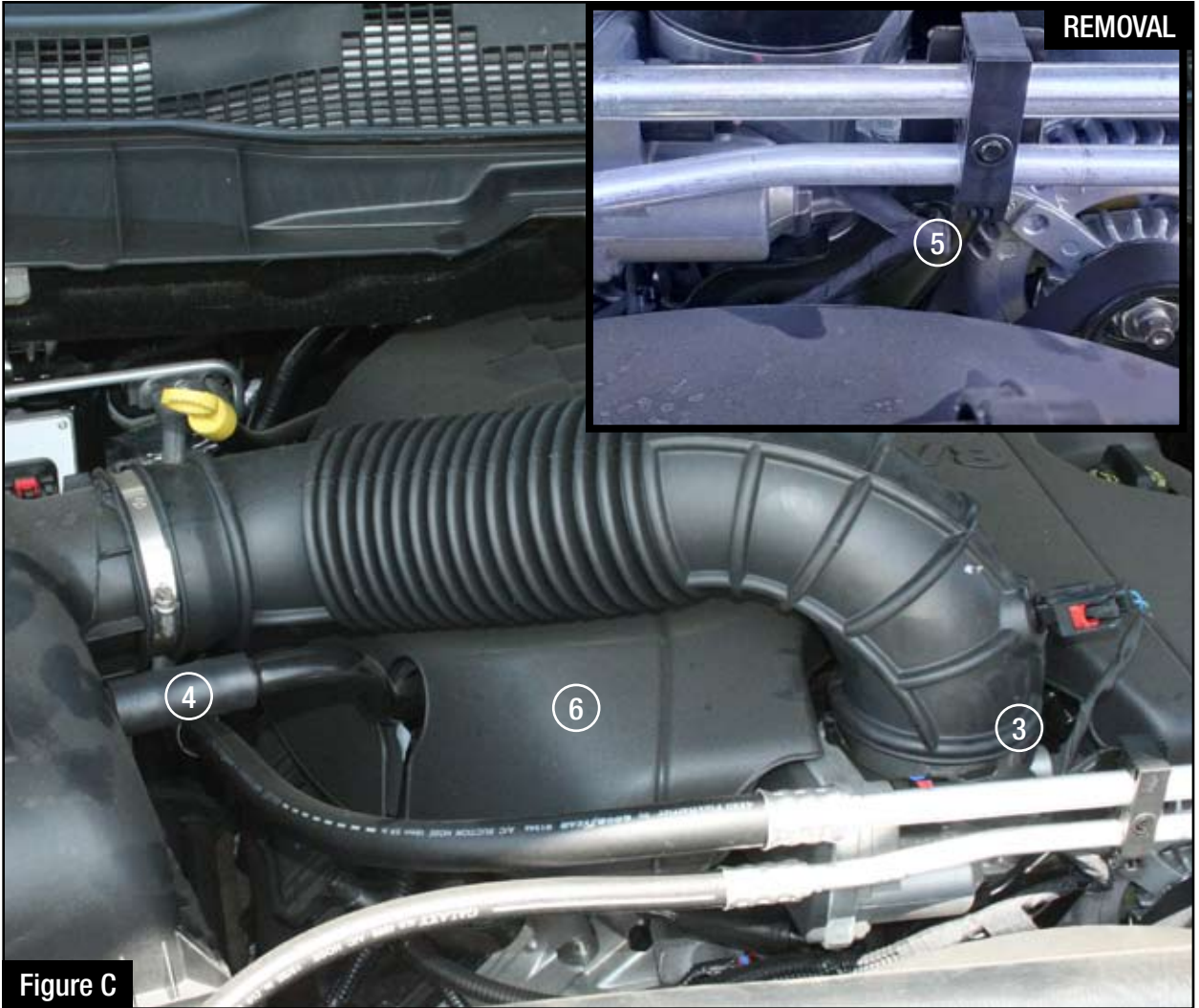


Figure C

**Refer to Figure C**

Step 3: Loosen the clamp holding the intake tube to the vehicle. (3)

Step 4: Disconnect the crank case line from the air box. (4)

Unclip temperature sensor fastener wire for extra slack. (5)

Step 5: Pull the top of the intake system out of the vehicle with the intake tube.

Step 6: Pull the engine cover off by lifting it straight up. (6)

Step 7: Now remove the old crank case vent line (4) from where it meets the engine and replace it with the new hose line supplied in the kit, then re-install the engine cover.



Figure D

**Refer to Figure D**

Step 8: Using the hardware supplied, mount the adaptor to the heat shield using 5 button head screws.



Figure E

**Refer to Figure E**

Step 9: Mount your aFe air filter to the adaptor installed in step 8 with the clamp provided

Step 10: Now install the seal trim around the edge of the heat shield.



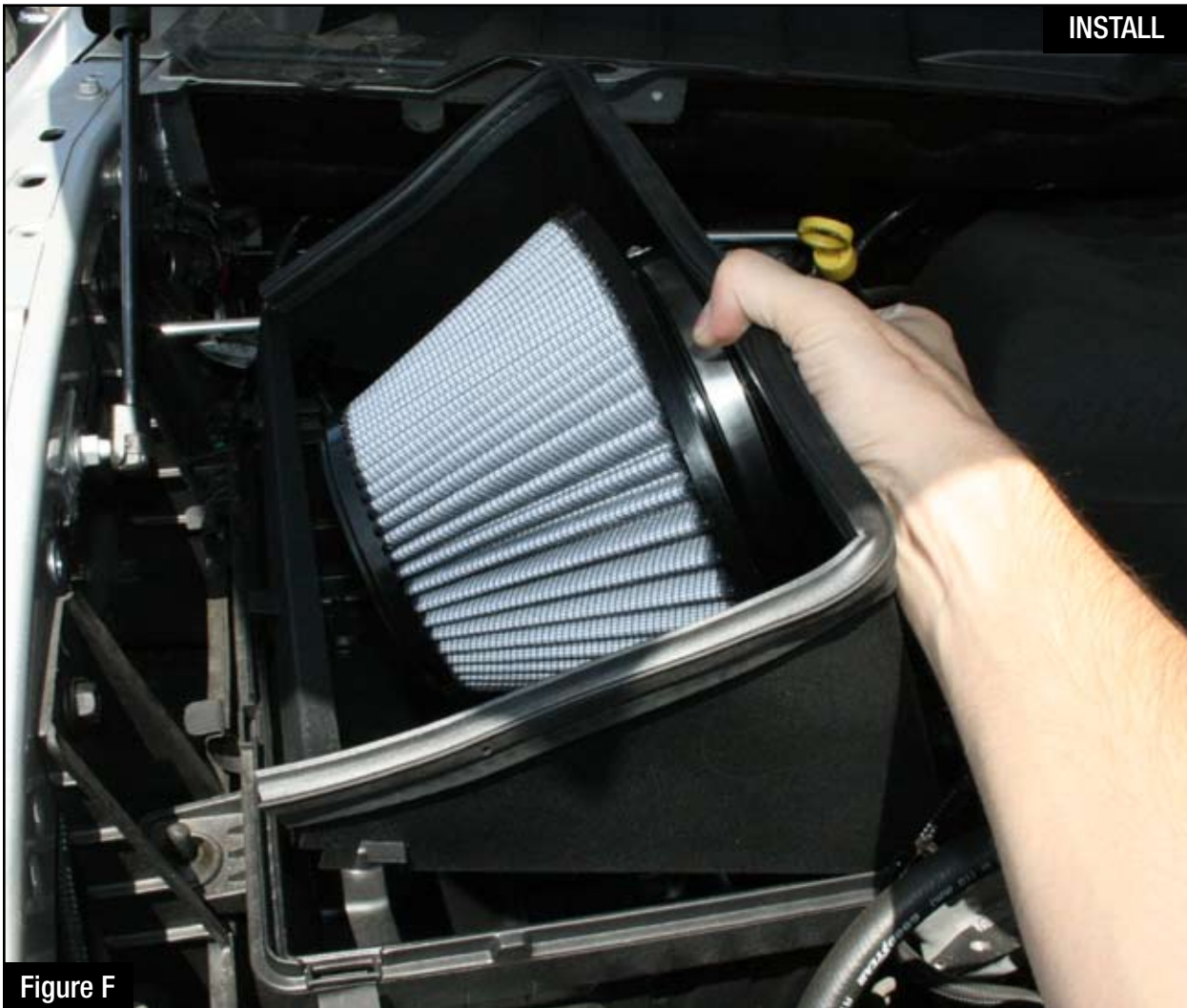


Figure F

**Refer to Figure F**

Step 11: Place the new heat shield and filter onto the lower half of the factory air box.

Step 12: Use the factory clips to secure the heat shield down to the vehicle.



Figure G

**Refer to Figure G**

Step 14: Install the new grommet into your aFe intake tube. ⑥

Step 15: Carefully pull the temperature sensor ⑦ out of the factory intake tube and insert it into the grommet ⑥ on your aFe intake tube.



### **Refer to Figure H**

Step 16: Connect the crank case line that you installed in the step 7 to the intake tube. ⑧

Step 17: Connect the temperature sensor harness. ⑨

Step 18: Your installation is now complete, check all connections to insure a proper seal.

\* Verify all connections are secure 100-200 miles after installation



Page left blank intentionally

Page left blank intentionally



Pro DRY S Air Filter



P/N: 21-91040

Pro DRY S Restore Kit



P/N: 90-59999

aFe POWER Exhaust



P/N: 49-42031-P

aFe POWER Exhaust



P/N: 49-42013

SCHORCHER Tuner



P/N: 77-42002

aFe Power Hat



P/N: 40-10083

aFe Key Chain



P/N: 40-10109

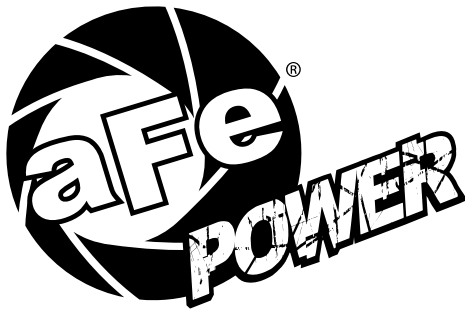
# Warranty

## General Terms:

- aFe warrants their products to be free from manufacturer's defects due to workmanship and material.
- This warranty applies only to the original purchaser of the product and is non-transferrable.
- Proof of purchase of the aFe product is required for all warranty claims.
- Warranty is valid provided aFe instructions for installation and/or cleaning were properly followed.
- Proper maintenance with regular inspections of product is required to insure warranty coverage.
- Damage due to improper installation, abuse, unauthorized repair or alteration is not warranted.
- Incidental or consequential damages or cost, including installation and removal of part, incurred due to failure of aFe product is not covered under this warranty.
- All warranty is limited to the repair and/or replacement of the aFe part. To request Return Goods Authorization ("RGA"), email [RGA@afepower.com](mailto:RGA@afepower.com) or call (951)493-7100. Upon receipt of the RGA, you must return the product to the address provided in the RGA, freight prepaid and accompanied with a dated proof of purchase and the RGA. Upon receipt of the defective product and upon verification of proof of purchase, aFe will either repair or replace the defective product within a reasonable time, not to exceed thirty days.

| <b>Product Category</b>          | <b>P/N Prefix</b>      | <b>Warranty duration</b> |
|----------------------------------|------------------------|--------------------------|
| Direct OE Replacement Filters    | 10, 11, 30, 31, 71, 73 | Life of the vehicle      |
| Racing Filters                   | 18                     | 1 year                   |
| Universal                        | 21, 24, 72             | 2 years                  |
| Air Intake Systems               | 50, 51, 54, 55, 75     | 2 years                  |
| Exhaust Systems                  | 49                     | 2 years                  |
| Intercoolers & Intercooler Tubes | 46-2                   | 2 years                  |
| Intake Manifolds                 | 46-1                   | 2 years                  |
| Differential Cover               | 46-7                   | Life of the vehicle      |
| Exhaust Manifolds                | 46                     | 2 years                  |
| Throttle Body Spacers            | 46-3                   | 2 years                  |
| Fluid Filters                    | 44                     | 90 days                  |
| Pre-Filters                      | 28                     | 2 years                  |
| Heavy Duty OE Replacement        | 70                     | 2 years                  |
| PowerSports OE Replacement       | 81, 87                 | 2 years                  |
| PowerSports Intake Systems       | 85                     | 2 years                  |

No other warranty expressed or implied applies nor is any person or advanced FLOW engineering authorized to assume any other warranty. Some States do not allow the exclusion or limitation of incidental or consequential damages or do not allow limitations on how long an implied warranty lasts, so the above limitations or exclusions may not apply to you. This warranty gives you specific legal rights, and you may also have other rights which vary from State to State.



***advanced FLOW engineering, inc.***

252 Granite Street Corona, CA 92879

TEL: 951.493.7100 • TECH: 951.493.7100 x23

E-Mail: [Tech@aFepower.com](mailto:Tech@aFepower.com)