

**advanced FLOW engineering**

**Instruction Manual** P/N: TM-2013C-D & TM-2013C-R



---

Make: **Scion/Subaru/Toyota** Model: **FR-S/BRZ/86** Year: **2013-2015** Engine: **H4-2.0L**



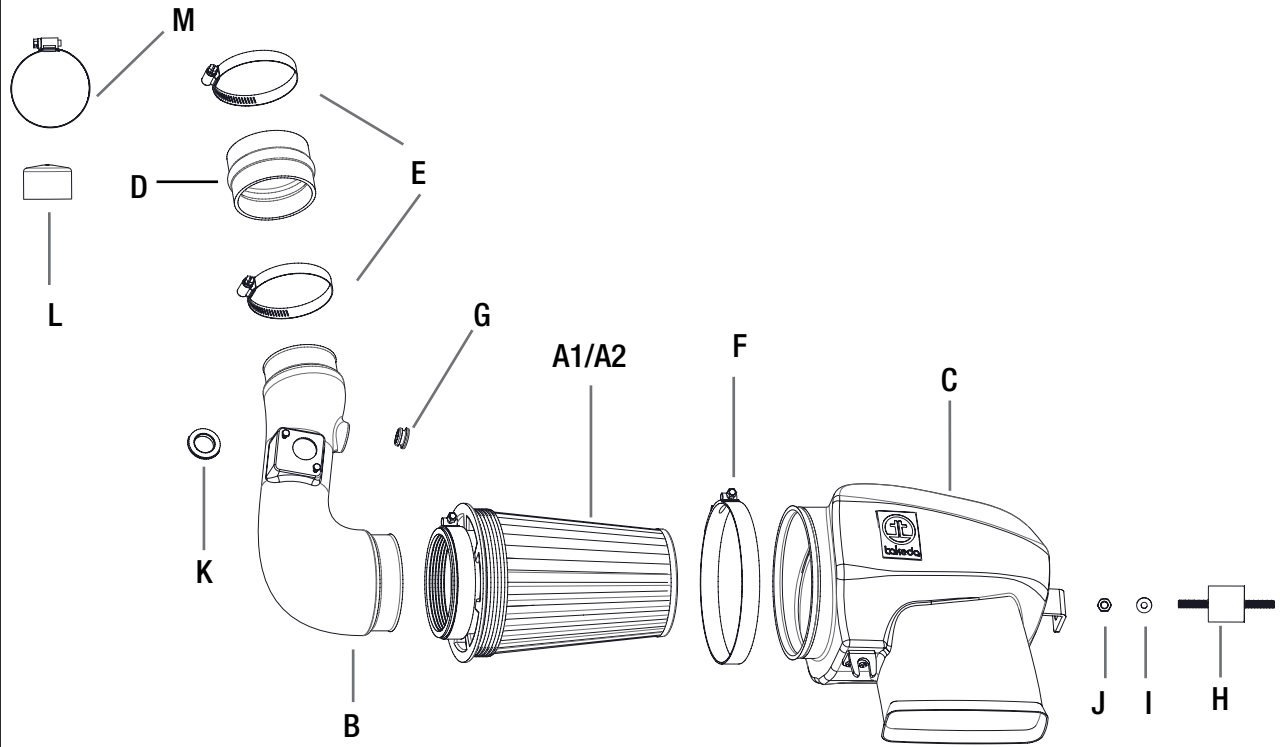
- Please read the entire instruction manual before proceeding.
- Ensure all components listed are present.
- If you are missing any of the components, call customer support at 951-493-7100.
- Ensure you have all necessary tools before proceeding.
- Do not attempt to work on your vehicle when the engine is hot.
- Disconnect the negative battery terminal before proceeding.
- Retain factory parts for future use.

Label	Qty.	Description	Part Number
A1	1	Air Filter (Pro DRY S)	R21-91089 (Grey Media)
A2	1	Air Filter (Pro 5R)	R24-91089 (Blue Media)
B	1	Tube	05-T2013C1
C	1	Housing	05-T2013C2
D	1	Coupling 3"ID x 2-1/4"L	05-01245
E	2	Clamp, 048	03-50007
F	1	Clamp (6-5/16" - 6-5/8")	03-50266
G	1	Grommet	03-50033
H	1	Isolation Mount	03-50063
I	1	Washer, Flat	03-50065
J	1	Nut, Hex M8	03-50087
K	1	Gasket, MAS	05-00762
L	1	Cap, Vinyl	03-50408
M	1	Clamp -Mini (1-5/16" - 2")	03-50093

Installation will require the following tools:

Phillips screw driver, 8mm nut driver, ratchet, extension, 10mm/12mm socket & pliers

Note: Legal in California for use on race vehicles only. The use of this device on vehicles used on public streets or highways is strictly prohibited in California and others states that have adopted California emission regulations.



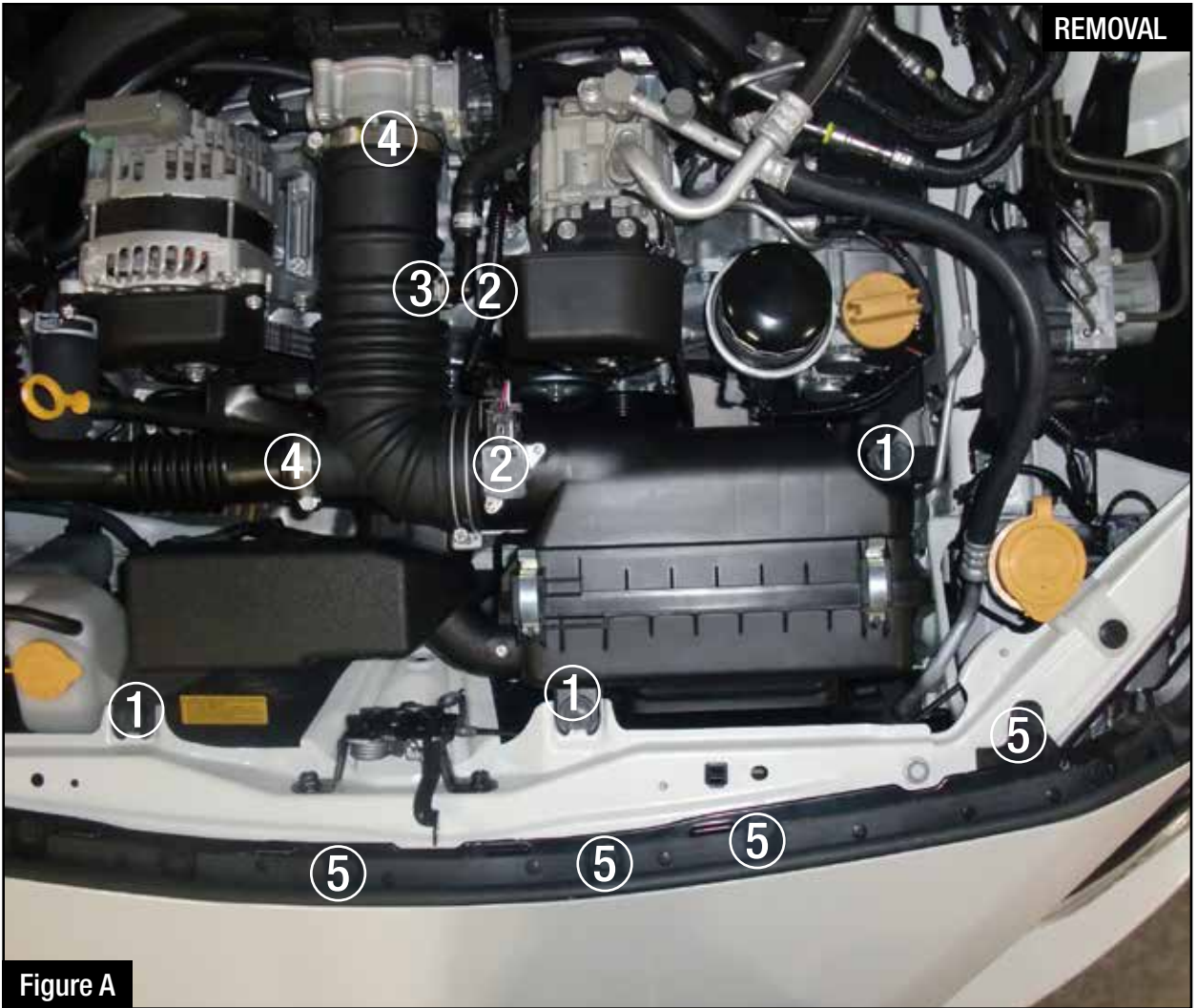


Figure A

**Refer to Figure A for step 1-4**

Step 1: Remove(3) 10mm bolts(1) of OE housing.

Step 2: Unplug the MAF sensor (2) and unclip the wire(2) from OE tube. Remove crank case hose (3) off OE tube

Step 3: Loosen clamp(4) off throttle body and cabin noise chamber, (4) then remove OE AIS out of the vehicle

Step 4: Remove top bumper rail (5) 10mm bolts and two push clips(5).



Figure B

**Refer to Figure B for step 5**

Step 5: Remove the 3 push clips (6) on the inside fender well connecting to the bumper, and also on the one (7) by the amber light on the driver side.



Figure C

**Refer to Figure C for steps 6**

Step 6: With the small flat head screwdriver push on the bottom side of the amber and pry out.

Pop out the bottom side, then remove the rest of the amber light.





Figure D

**Refer to Figure D for steps 7-9**

Step 7: Gently pull out the right side of the bumper to gain access to the OE Scoop.

Step 8: This will allow you to have enough access to remove 10mm bolts securing OE scoop.

Step 9: Remove OE scoop off vehicle and install bumper back on.

INSTALL

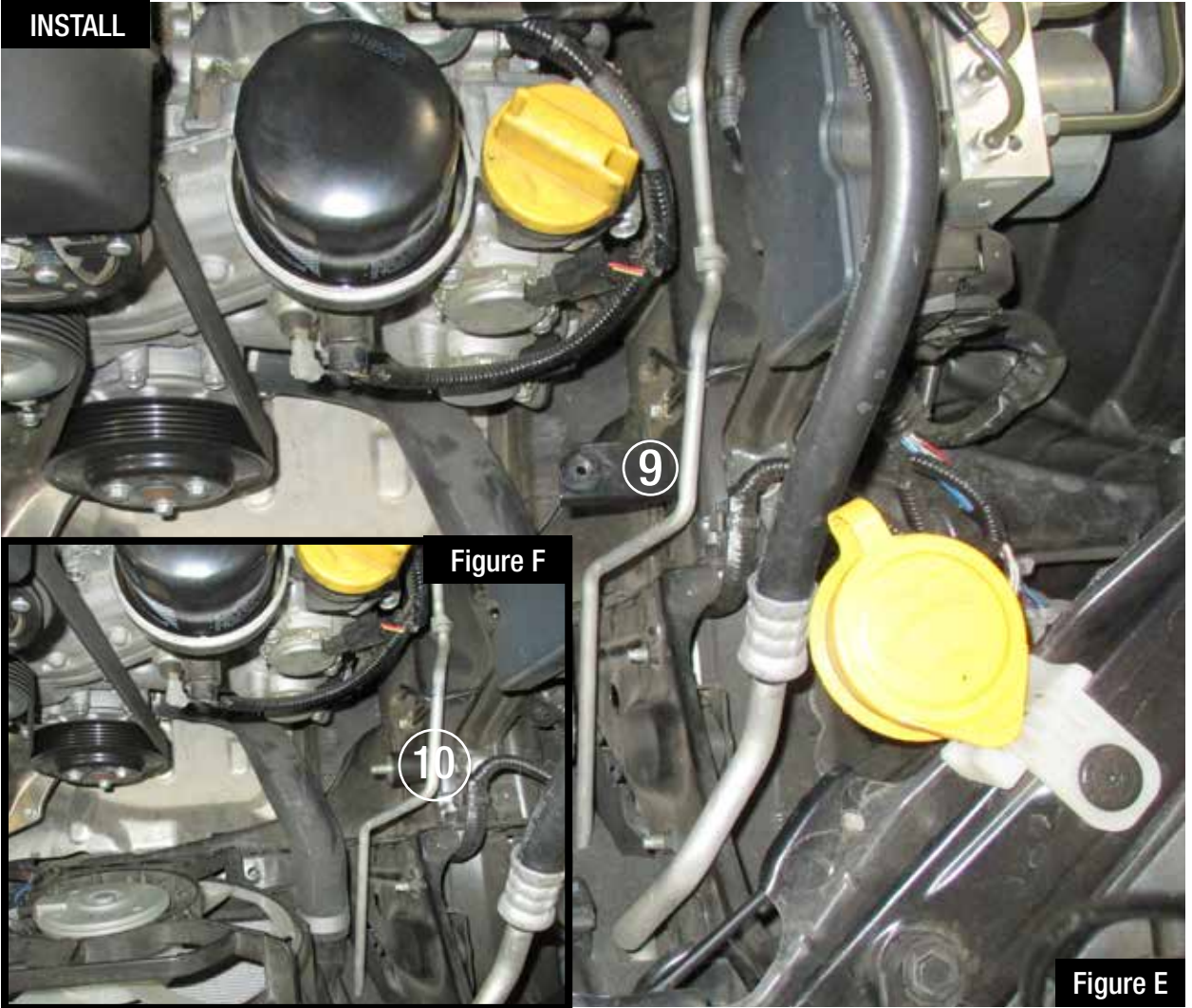


Figure F

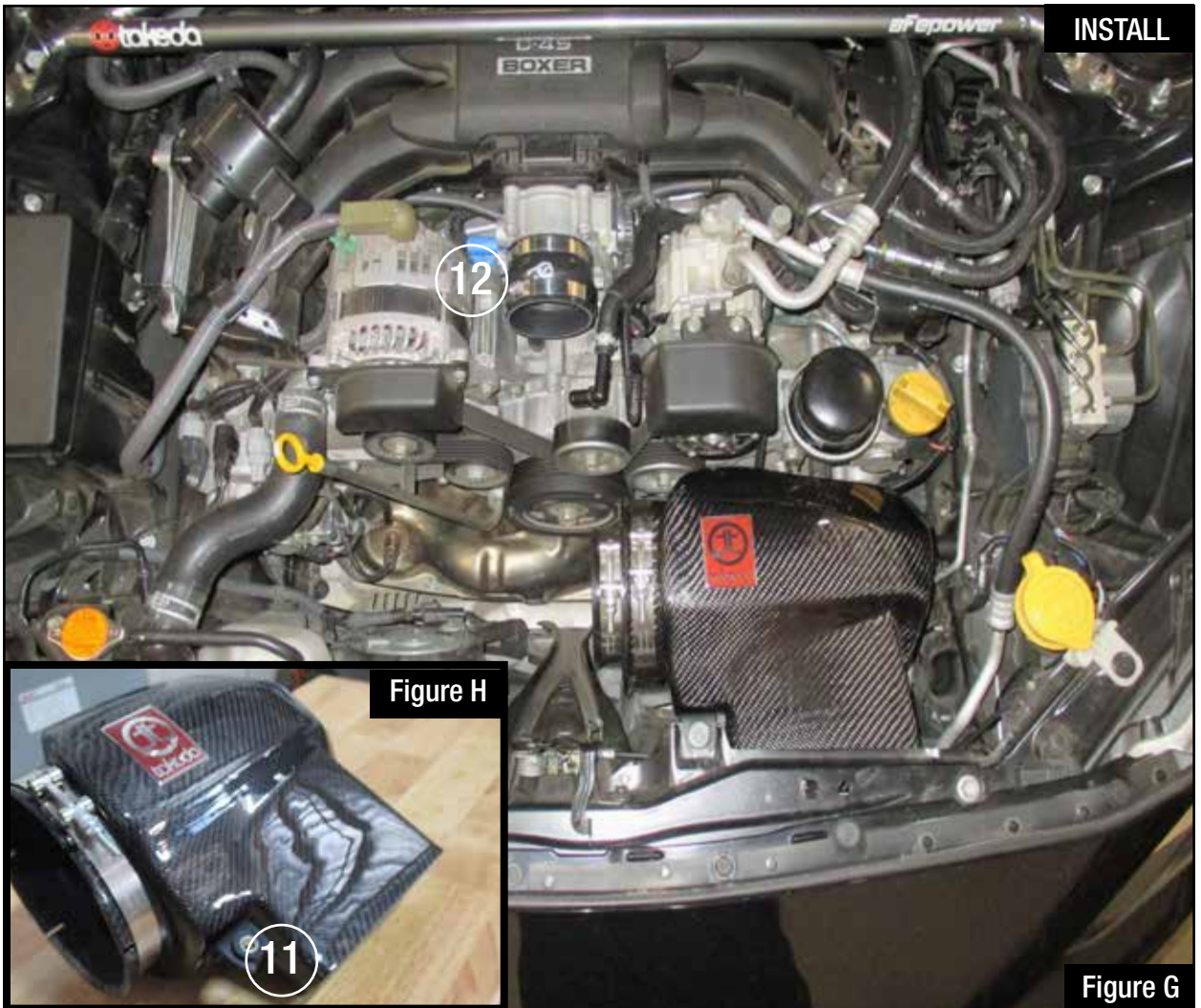
Figure E

**Refer to Figure E & F for steps 10-11**

Step 10 : Remove the OE bracket (9) with a 12mm.

Step 11 : Install the supplied M8 Isolation mount in the brackets location (10).





**Refer to Figure G & H for steps 12-15**

Step 12 : Remove one of the OE grommets (11) off the OE housing and install them on the Takeda housing. (Refer to bottom left photo)

Step 13: Install air filter onto Takeda housing as well with clamp on housing.

Step 14 : Install Takeda Housing on to vehicle with OE hardware and supplied washer and nut.

Step 15: Place the coupling (12) onto the throttle body with the supplied clamps.



**Figure I**

**Refer to Figure I for steps 16-21**

Step 16: Remove MAF sensor off OE air box and install onto Takeda tube with the supplied hardware.

Step 17: Install Takeda tube in to vehicle and re-connect MAF sensor.

Step 18: Install the supplied rubber grommet onto the intake tube and reinstall your factory crank case vent line.

Step 19: Cap off the cabin chamber with the supplied cap and clamp.

Step 20: Tighten all clamps and bolts down.

Step 21: Your installation is now complete. Thank you for choosing Takeda!

This page left blank intentionally.



This page left blank intentionally.

This page left blank intentionally.





Pro DRY S Air Filter



P/N: 21-91089

Pro 5R Air Filter



P/N: 24-91089

Pro DRY S Restore Kit



P/N: TP-7015C

Takeda Tee



P/N: TP-7005T L  
P/N: TP-7006T XL  
P/N: TP-7007T 2XL

Restore Kit



P/N: TP-7018K

Takeda Tee



P/N: 40-30352 M  
P/N: 40-30353 L  
P/N: 40-30354 XL

aFe G-Shock Watch



P/N: 40-10125

Lic. Plate Frame



P/N: TP-7014F

To purchase any of the items above, view airflow charts, dyno graphs, photos, and video; please go to [aFepower.com](http://aFepower.com).

# Warranty

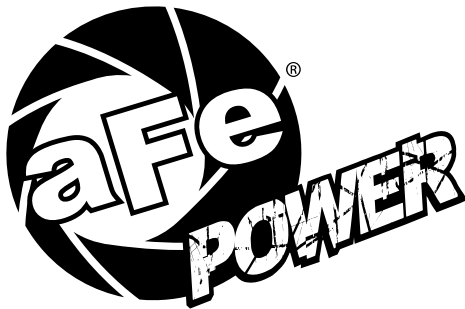
## General Terms:

- aFe warrants their products to be free from manufacturer's defects due to workmanship and material.
- This warranty applies only to the original purchaser of the product and is non-transferrable.
- Proof of purchase of the aFe product is required for all warranty claims.
- Warranty is valid provided aFe instructions for installation and/or cleaning were properly followed.
- Proper maintenance with regular inspections of product is required to insure warranty coverage.
- Damage due to improper installation, abuse, unauthorized repair or alteration is not warranted.
- Incidental or consequential damages or cost, including installation and removal of part, incurred due to failure of aFe product is not covered under this warranty.
- All warranty is limited to the repair and/or replacement of the aFe part. To request Return Goods Authorization ("RGA"), email [RGA@afepower.com](mailto:RGA@afepower.com) or call (951)493-7100. Upon receipt of the RGA, you must return the product to the address provided in the RGA, freight prepaid and accompanied with a dated proof of purchase and the RGA. Upon receipt of the defective product and upon verification of proof of purchase, aFe will either repair or replace the defective product within a reasonable time, not to exceed thirty days.

<b>Product Category</b>	<b>P/N Prefix</b>	<b>Warranty duration</b>
Direct OE Replacement Filters	10, 11, 30, 31, 71, 73	Life of the vehicle
Racing Filters	18	1 year
Universal	21, 24, 72, TF	2 years
Air Intake Systems	50, 51, 54, 55, 75, TR, TA, TL	2 years
Exhaust Systems	49	2 years
Intercoolers & Intercooler Tubes	46-2	2 years
Intake Manifolds	46-1	2 years
Differential Cover	46-7	Life of the vehicle
Exhaust Manifolds	46	2 years
Throttle Body Spacers	46-3	2 years
Turbochargers	46-6	2 years*
Fluid Filters	44	90 days
Pre-Filters	28	2 years
Heavy Duty OE Replacement	70	2 years
PowerSports OE Replacement	81, 87	2 years
PowerSports Intake Systems	85	2 years

No other warranty expressed or implied applies nor is any person or advanced FLOW engineering authorized to assume any other warranty. Some States do not allow the exclusion or limitation of incidental or consequential damages or do not allow limitations on how long an implied warranty lasts, so the above limitations or exclusions may not apply to you. This warranty gives you specific legal rights, and you may also have other rights which vary from State to State.

\*See turbocharger warranty for more info



**advanced FLOW engineering, inc.**  
252 Granite Street Corona, CA 92879  
TEL: 951.493.7100 • TECH: 951.493.7100 x23  
E-Mail: [Tech@aFepower.com](mailto:Tech@aFepower.com)