

# Air Lift™

PERFORMANCE

## Kit 75572

Scion xA & xB



## INSTALLATION GUIDE

For maximum effectiveness and safety, please read these instructions completely before proceeding with installation.

*Failure to read these instructions can result in an incorrect installation.*



# TABLE OF CONTENTS

<b>Introduction</b> .....	<b>2</b>
Notation Explanation .....	2
Important Safety Notices .....	2
<b>Installation Diagram</b> .....	<b>3</b>
Hardware List .....	3
Tools List .....	3
<b>Installing the Air Suspension</b> .....	<b>4</b>
Preparing the Vehicle .....	4
Removing the Strut .....	4
Installing the New Strut Assembly .....	5
<b>Before Operating</b> .....	<b>6</b>
Installation Checklist .....	7
<b>Product Use, Maintenance and Servicing</b> .....	<b>8</b>
Suggested Driving and Maximum Air Pressures .....	8
Maintaining and Operating .....	8
<b>Troubleshooting Guide</b> .....	<b>8</b>
<b>Frequently Asked Questions</b> .....	<b>9</b>
Tuning the Air Pressure .....	9
Checking for Leaks .....	9
Fixing Leaks .....	9
<b>Warranty &amp; Returns Policy</b> .....	<b>10</b>
<b>Replacement Information</b> .....	<b>11</b>
<b>Contact Information</b> .....	<b>11</b>

# Introduction

The purpose of this publication is to assist with the installation, maintenance and troubleshooting of this Scion Air Lift Performance kit.

It is important to read and understand the entire installation guide before beginning installation or performing any maintenance, service or repair. The information includes a hardware list, tool list, step-by-step installation information, maintenance tips, safety information and a troubleshooting guide.

Air Lift Company reserves the right to make changes and improvements to its products and publications at any time. For the latest version of this manual, contact Air Lift Company at (800) 248-0892 or visit our website at [www.airliftcompany.com](http://www.airliftcompany.com).

## NOTATION EXPLANATION

Hazard notations appear in various locations in this publication. Information which is highlighted by one of these notations must be observed to help minimize risk of personal injury or possible improper installation which may render the vehicle unsafe. Notes are used to help emphasize areas of procedural importance and provide helpful suggestions. The following definitions explain the use of these notations as they appear throughout this guide.

 **DANGER**

INDICATES IMMEDIATE HAZARDS WHICH WILL RESULT IN SEVERE PERSONAL INJURY OR DEATH.

 **WARNING**

INDICATES HAZARDS OR UNSAFE PRACTICES WHICH COULD RESULT IN SEVERE PERSONAL INJURY OR DEATH.

 **CAUTION**

INDICATES HAZARDS OR UNSAFE PRACTICES WHICH COULD RESULT IN DAMAGE TO THE MACHINE OR MINOR PERSONAL INJURY.

---

**NOTE**

*Indicates a procedure, practice or hint which is important to highlight.*

---

## IMPORTANT SAFETY NOTICES

The installation of this kit does not alter the Gross Vehicle Weight Rating (GVWR) or payload of the vehicle. Check your vehicle's owner's manual and do not exceed the maximum load listed for your vehicle.

**Gross Vehicle Weight Rating:** The maximum allowable weight of the fully loaded vehicle (including passengers and cargo). This number — along with other weight limits, as well as tire, rim size and inflation pressure data — is shown on the vehicle's Safety Compliance Certification Label.

**Payload:** The combined, maximum allowable weight of cargo and passengers that the vehicle is designed to carry. Payload is GVWR minus the Base Curb Weight.

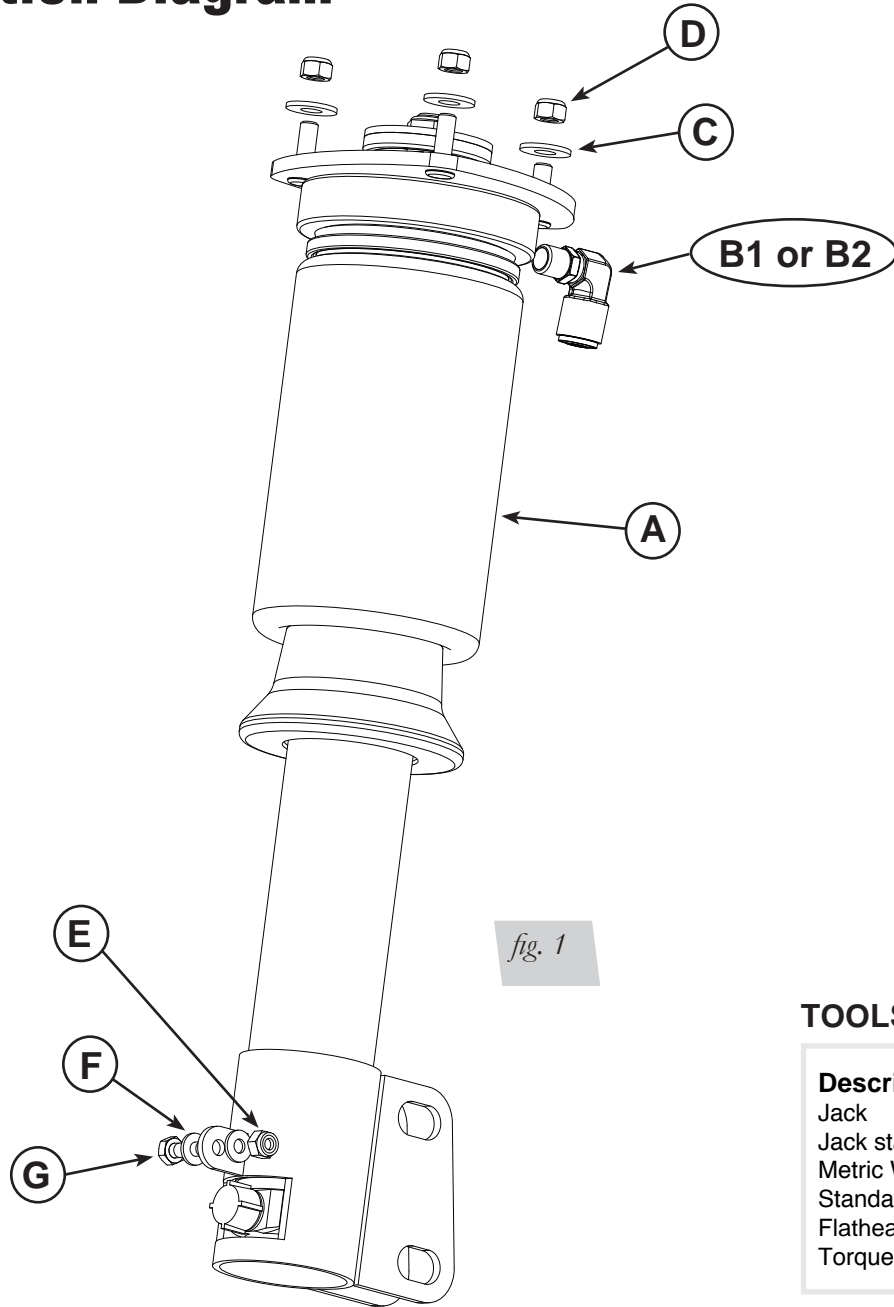
 **WARNING**

DO NOT INFLATE AIR SPRINGS WHILE OFF OF THE VEHICLE. DAMAGE TO ASSEMBLY MAY RESULT AND VOID WARRANTY.

 **CAUTION**

DO NOT WELD TO, OR MODIFY LIFESTYLE STRUTS/SHOCKS IN ANY WAY. DAMAGE TO UNIT MAY OCCUR AND WILL VOID WARRANTY.

# Installation Diagram



## TOOLS LIST

Description
Jack
Jack stands or hoist
Metric Wrenches
Standard Wrenches
Flathead Screwdriver
Torque Wrench

## HARDWARE LIST

Item	Part #	Description .....	Qty
A	35377	Gen II front strut.....	2
B1	21779	Fitting - 1/4NPT X 1/4PTC Elbow .....	2
B2	21851	Fitting - 1/4NPT X 3/8PTC Elbow .....	2
C	18206	5/16" Flat Washer .....	6
D	18438	5/16"-18 Nyloc Nut.....	6
E	18425	1/4"-20 Nyloc Nut.....	2
F	18419	#12 Flat Washer.....	4
G	17175	1/4" - 20 x .75 Bolt.....	2



Missing or damaged parts? Call Air Lift customer service at (800) 248-0892 for a replacement part.

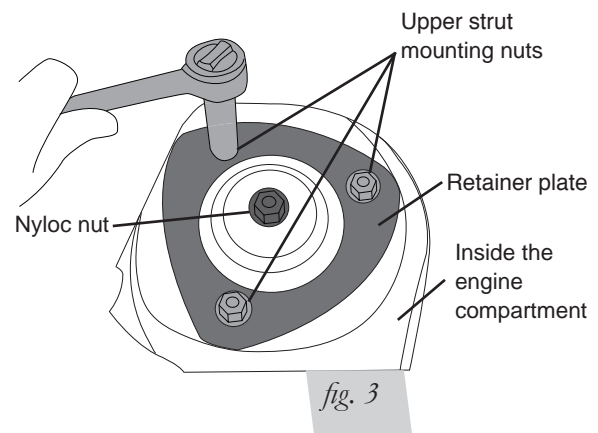
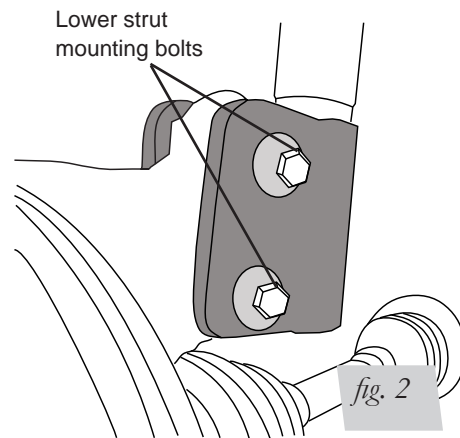
# Installing the Air Suspension

## PREPARING THE VEHICLE

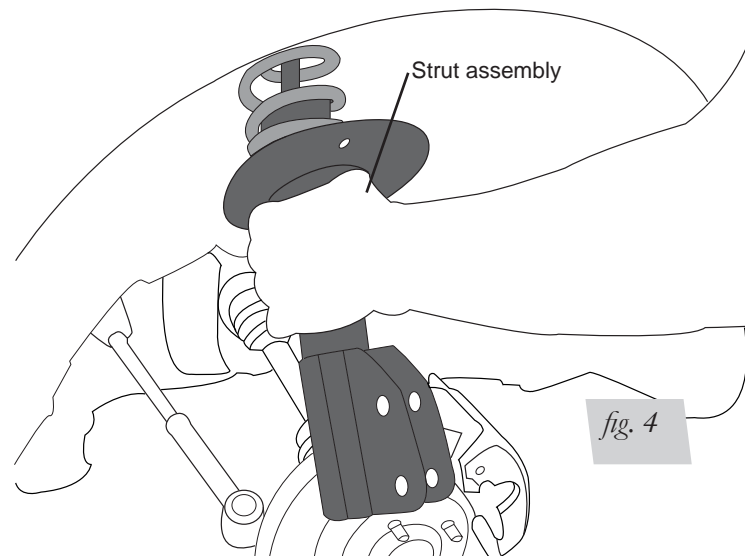
1. Elevate the vehicle and support the body with a hoist or jack stands.
2. Remove the front wheels.

## REMOVING THE STRUT

1. Remove the brakeline and ABS retainer bolt and discard.
2. Using a screwdriver, unclip the ABS line from the retainer.
3. Remove the two lower retaining bolts from the spindle and save for reinstallation (fig. 2).
4. Remove the three upper retaining nuts and discard (fig. 3).
5. Remove the retainer plate and save it for later reinstallation (fig. 3).



6. Remove the strut from the vehicle and discard (fig. 4).



## INSTALLING THE NEW STRUT ASSEMBLY

1. Prior to installing the strut, attach the air fitting provided to the threaded port at the top of the air spring (fig. 5). Seal with teflon tape.

**Correct air fitting installation:** Hex nut edges are parallel with top and bottom upper end cap edges.

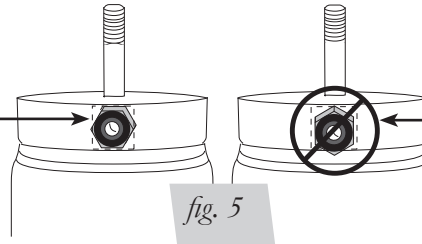


fig. 5

**Incorrect air fitting installation:** Hex nut point extends over bottom of upper end cap edge and could puncture the air bag.

2. In each strut pocket, check for any screws longer than 1/4". Grind these screws down to less than 1/4".
3. Insert the new strut into the vehicle's strut pocket (fig. 6).

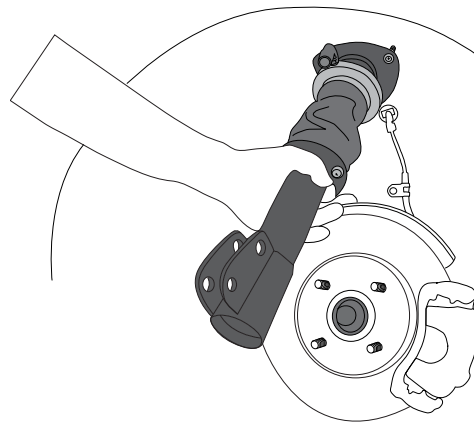


fig. 6

4. Reinstall the stock retainer plate and secure the strut in place using the 5/16" nuts and washers provided.

**IMPORTANT:** Torque to 22 Nm (16 ft/lbs).

**NOTE**

*Be sure to center the rebound washer in the strut mount (body) hole before torquing the upper bracket 5/16" nuts (fig. 7).*

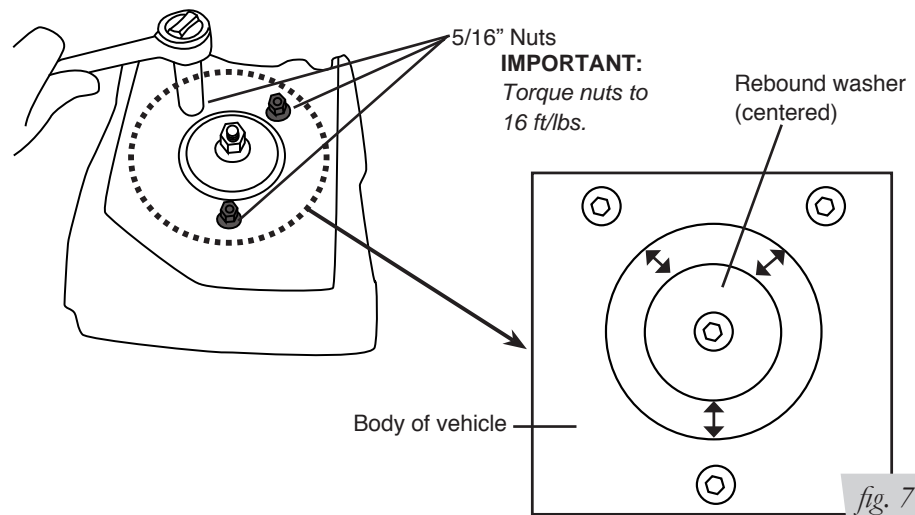


fig. 7

5. Raise the suspension to align the lower strut mount holes with the spindle. Reattach using the previously removed factory bolts, torque to 132 Nm (97 ft/lbs).

## NOTE

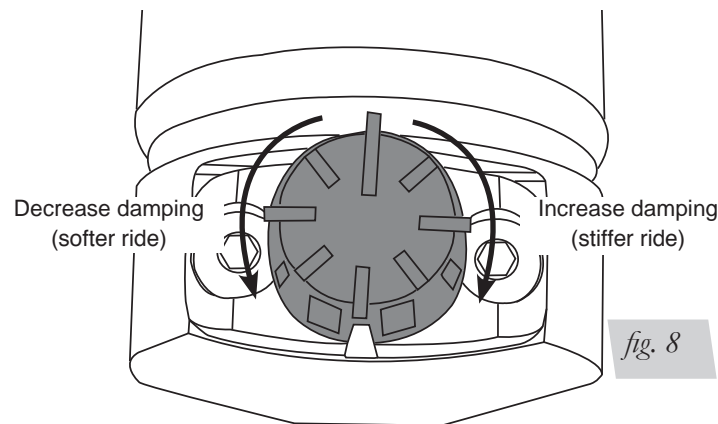
*Use of Loctite Red or a similar thread sealant on the nyloc nut is recommended.*

6. Reattach the ABS and brake lines.
7. Attach the air hose to the air fitting at the top of the strut.
8. Tighten all mounting hardware securely to manufacturer's torque specifications.

## Before Operating

1. Some struts for this vehicle come with a nine-position damping dial for added adjustability (fig. 8). If not, proceed to 2.

Before driving your vehicle, set the new struts to their highest setting by turning the black dial on the shaft of the strut as far as it will go to the right (position 9).



*fig. 8*

2. Next, completely deflate and reinflate the air bags 2-3 times. This procedure will purge any trapped air in the dampers and allow for maximum performance. For ride performance and the most versatility, Lifestyle recommends setting the strut dial (if equipped) to position 6 or higher.

## CAUTION

**MAKE SURE THE FRONT WHEELS ARE STRAIGHT WHEN DEFLATING AND REINFLATING AIR BAGS.**

3. Inflate and deflate the system (do not exceed 125 PSI) to check for clearance or binding issues. With the air springs deflated, check clearances on everything so as not to pinch brake lines, vent tubes, etc. Clear lines if necessary.
4. Inflate the air springs to 75PSI - 90PSI and check all connections for leaks.
5. Air Lift part #27669 or #27671, AutoPilot V2 Air Management System, is highly recommended for this product.
6. Please continue by reading the Product Use, Maintenance and Servicing section.



## INSTALLATION CHECKLIST

- Clearance test — Inflate the air springs to 75-90 PSI and make sure there is at least ½” clearance from anything that might rub against each sleeve. Be sure to check the tire, brake drum, frame, shock absorbers and brake cables.
  
- Leak test before road test — Inflate the air springs to 75PSI - 90PSI and check all connections for leaks. All leaks must be eliminated before the vehicle is road tested.
  
- Heat test — Be sure there is sufficient clearance from heat sources, at least 6” for air springs and air lines. If a heat shield was included in the kit, install it. If there is no heat shield, but one is required, call Air Lift customer service at (800) 248-0892.
  
- Fastener test — Recheck all bolts for proper torque.
  
- Road test — The vehicle should be road tested after the preceding tests. Inflate the springs to recommended driving pressures. Drive the vehicle 10 miles and recheck for clearance, loose fasteners and air leaks.
  
- Operating instructions — If professionally installed, the installer should review the operating instructions with the owner. Be sure to provide the owner with all of the paperwork that came with the kit.

**Technician's Signature** \_\_\_\_\_

**Date** \_\_\_\_\_

## POST-INSTALLATION CHECKLIST

- Overnight leak down test — Recheck air pressure after the vehicle has been used for 24 hours. If the pressure has dropped more than 5 PSI, then there is a leak that must be fixed. Either fix the leak yourself or return to the installer for service.
  
- Air pressure requirements — I understand the air pressure requirements of my air spring system. Regardless of load, the air pressure should always be adjusted to maintain adequate ride height at all times while driving.
  
- Thirty day or 500 mile test — I understand that I must recheck the air spring system after 30 days or 500 miles, whichever comes first. If any part shows signs of rubbing or abrasion, the source should be identified and moved, if possible. If it is not possible to relocate the cause of the abrasion, the air spring may need to be remounted. If professionally installed, the installer should be consulted. Check all fasteners for tightness.

# Product Use, Maintenance and Servicing

Suggested Driving Air Pressure	Maximum Air Pressure
60 PSI	125 PSI
FAILURE TO MAINTAIN ADEQUATE MINIMUM PRESSURE (OR PRESSURE PROPORTIONAL TO LOAD) WILL RESULT IN BOTTOMING OUT, OVER-EXTENSION OR RUBBING AGAINST ANOTHER COMPONENT AND WILL <b>VOID THE WARRANTY.</b>	

## MAINTENANCE GUIDELINES

### NOTE

*By following these steps, vehicle owners will obtain the longest life and best results from their air spring.*

1. Check the air pressure before driving.
2. Never inflate beyond 125 PSI.
3. If you develop an air leak in the system, use a soapy water solution to check all air line connections, before deflating and removing the spring.
4. When increasing load, always adjust the air pressure to maintain normal ride height. Increase or decrease pressure from the system as necessary to attain normal ride height for optimal ride and handling. Remember that loads carried behind the axle (including tongue loads) require more leveling force (pressure) than those carried directly over the axle.

### CAUTION

FOR YOUR SAFETY AND TO PREVENT DAMAGE TO YOUR VEHICLE, DO NOT EXCEED MAXIMUM GROSS VEHICLE WEIGHT RATING (GVWR), AS INDICATED BY THE VEHICLE MANUFACTURER. ALTHOUGH YOUR AIR SPRINGS ARE RATED AT A MAXIMUM INFLATION PRESSURE OF 125 PSI, THE AIR PRESSURE ACTUALLY NEEDED IS DEPENDENT ON YOUR LOAD.

5. Always add air to the springs in small quantities, checking the pressure frequently. Sleeves require less air volume than a tire and inflate quickly.
6. Should it become necessary to raise the vehicle by the frame, make sure the control system is turned off before lifting.

## Troubleshooting Guide

1. Leak test the air line connections, threaded connection of the elbow into the air spring, and the inflation valves.
2. Inspect the air lines to be sure none are pinched. Tie straps may be too tight. Loosen or replace the strap and replace leaking components.
3. Inspect the air line for holes and cracks. Replace as needed.
4. Look for a kink or fold in the air line. Reroute as needed.

If the preceding steps do not solve the problem, it is most likely caused by a failed air spring — either a factory defect or an operating problem. Please call Air Lift at (800) 248-0892 for assistance or a replacement air spring.

## Frequently Asked Questions

**Q. Will installing air springs increase the weight ratings of a vehicle?**

No. Adding air springs will not change the weight ratings (GAWR, GCWR and/or GVWR) of a vehicle. Exceeding the GVWR is dangerous and voids the Air Lift warranty.

**Q. How long should air springs last?**

If the air springs are properly installed and maintained they can last indefinitely.

**Q. Will raising the vehicle on a hoist for service work damage the air springs?**

No. The vehicle can be lifted on a hoist for short-term service work such as tire rotation or oil changes. However, if the vehicle will be on the hoist for a prolonged period of time, support the axle with jack stands in order to take the tension off of the air springs.

## Tuning the Air Pressure

Pressure determination comes down to three things — level vehicle, ride comfort, and stability.

**1. Level vehicle**

If the vehicle's headlights are shining into the trees or the vehicle is leaning to one side, then it is not level. Raise the air pressure to correct either of these problems and level the vehicle.

**2. Ride comfort**

If the vehicle has a rough or harsh ride it may be due to either too much pressure or not enough. Try different pressures to determine the best ride comfort. See Air Lift suggested driving air pressure.

**3. Stability**

Stability translates into safety and should be the priority, meaning the driver may need to sacrifice a perfectly level and comfortable ride. Stability issues include roll control, bounce, dive during braking and sponginess. Tuning out these problems usually requires additional air pressure, strut damping, or both.

## Checking for leaks

1. Inflate the air spring to 80 PSI.
2. Spray all connections and the inflation valves with a solution of 1/5 liquid dish soap and 4/5 water. Spot leaks easily by looking for bubbles in the soapy water.
3. After the test, deflate the springs to the minimum pressure required to restore the system to normal ride height.
4. Check the air pressure again after 24 hours. A 2 - 4 PSI loss after initial installation is normal. Retest for leaks if the loss is more than 5 lbs.

## Fixing Leaks

1. If there is a problem with a swivel fitting:
  - a. Check the air line connection by deflating the spring and removing the line by pulling the collar against the fitting and pulling firmly on the air line. Trim 1" off the end of the air line. Be sure the cut is clean and square (see fig. 9). Reinsert the air line into the push-to-connect fitting.

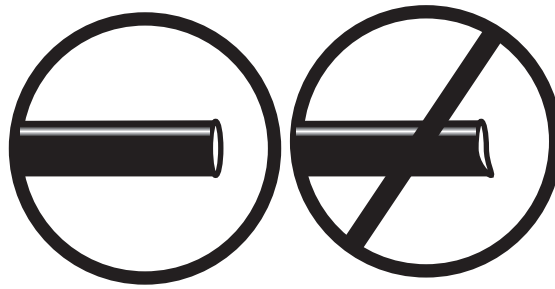


fig. 9

- b. Check the threaded connection by tightening the swivel fitting another  $\frac{1}{2}$  turn. If it still leaks, deflate the air spring, remove the fitting, and re-coat the threads with thread sealant. Reinstall by hand tightening as much as possible and then use a wrench for an additional two turns.
2. If the preceding steps have not resolved the problem, call Air Lift customer service at (800) 248-0892.

## Warranty and Returns Policy

Air Lift Company warrants the Performance line of products to the original purchaser against manufacturing defects one year from the date of purchase when used on cars and trucks as specified under normal operating conditions. The warranty does not apply to products that have been improperly applied, improperly installed, or which have not been maintained in accordance with installation instructions furnished with all products. The consumer will be responsible for removing (labor charges) the defective product from the vehicle and returning it, transportation costs prepaid, to the dealer from which it was purchased or to Air Lift Company for verification.

Air Lift will repair or replace, at its option, defective products or components. A minimum \$10.00 shipping and handling charge will apply to all warranty claims. Before returning any defective product, you must call Air Lift at (800) 248-0892 in the U.S. and Canada (elsewhere, (517) 322-2144) for a Returned Materials Authorization (RMA) number. Returns to Air Lift can be sent to: Air Lift Company • 2727 Snow Road • Lansing, MI • 48917.

Product failures resulting from abnormal use or misuse are excluded from this warranty. The loss of use of the product, loss of time, inconvenience, commercial loss or consequential damages is not covered. The consumer is responsible for installation/reinstallation (labor charges) of the product. Air Lift Company reserves the right to change the design of any product without assuming any obligation to modify any product previously manufactured.

This warranty gives you specific legal rights and you may also have other rights that may vary from state-to-state. Some states do not allow limitations on how long an implied warranty lasts or allow the exclusion or limitation of incidental or consequential damages. The above limitation or exclusion may not apply to you. There are no warranties, expressed or implied including any implied warranties of merchantability and fitness, which extend beyond this warranty period. There are no warranties that extend beyond the description on the face hereof. Seller disclaims the implied warranty of merchantability. (Dated proof of purchase required.)

---

# Replacement Information

If you need replacement parts, contact the local dealer or call Air Lift customer service at (800) 248-0892. Most parts are immediately available and can be shipped the same day.

**Contact Air Lift Company customer service at (800) 248-0892 first if:**

- Parts are missing from the kit.
- Need technical assistance on installation or operation.
- Broken or defective parts in the kit.
- Wrong parts in the kit.
- Have a warranty claim or question.

**Contact the retailer where the kit was purchased:**

- If it is necessary to return or exchange the kit for any reason.
- If there is a problem with shipping if shipped from the retailer.
- If there is a problem with the price.

# Contact Information

If you have any questions, comments or need technical assistance contact our customer service department by calling (800) 248-0892, Monday through Friday, 8 a.m. to 8 p.m. Eastern Time. For calls from outside the USA or Canada, our local number is (517) 322-2144.

For inquiries by mail, our address is PO Box 80167, Lansing, MI 48908-0167. Our shipping address for returns is 2727 Snow Road, Lansing, MI 48917.

You may also contact us anytime by e-mail at [sales@airliftcompany.com](mailto:sales@airliftcompany.com) or on the web at [www.airliftcompany.com](http://www.airliftcompany.com).

# Notes

---

# Notes

## Need Help?

Contact our customer service department by calling (800) 248-0892, Monday through Friday, 8 a.m. to 8 p.m. Eastern Time. For calls from outside the USA or Canada, our local number is (517) 322-2144.

**Register your warranty online at  
[www.airliftcompany.com/warranty](http://www.airliftcompany.com/warranty)**



*Thank you for purchasing Air Lift Performance products!*

Air Lift Company • 2727 Snow Road • Lansing, MI 48917 or PO Box 80167 • Lansing, MI 48908-0167  
Toll Free (800) 248-0892 • Local (517) 322-2144 • Fax (517) 322-0240 • [www.airliftcompany.com](http://www.airliftcompany.com)

Printed in  
the USA





2004-2006 Scion xA & xB  
**Rear Kit Part No. 75672**  
[www.airliftperformance.com](http://www.airliftperformance.com)

MN-611  
(051108)  
ECR 7072

---

*Please read these instructions completely before proceeding with installation*



Warranty Information

1. All goods come with a one year manufacturers warranty against defects.
2. Warranty will be void if the strut is altered for any reason and/or adapted to applications other than those suggested.
3. Any abrasions or rub marks on the spring will not be covered under warranty. The customer is responsible for all repair charges.
4. Driving at low PSI can cause the spring to bottom out. Repeated bottoming out can cause the spring to fail. Failure resulting from repeated bottoming out is not covered under warranty.
5. The customer is responsible for all shipping costs to Air Lift Company for all warranty claims.
6. Please call tech support at 1-800-248-0892 before shipping a product to Air Lift Company.



Figure 1



Figure 2



Figure 3



Figure 4

## Hardware

Item	P/N	Description	Qty.
A	58517	Rear Bag Assembly	2
B	17218	Hex Cap Screw 3/8"-24 x 1.25 G8	2
C	17267	Self Tap Screw 5/16"-18 x 1.5	8
D	17234	Hex Cap Screw 3/8"-24 x .75 G5	4
E1	21779	Fitting - 1/4NPT X 1/4PTC, Elbow	2
E2	21866	Fitting - 1/2NPT X 3/8PTC, Elbow	2
F	21247	1/2MNPT X 1/4FNPT Bushing	2
G	07981	Upper Bracket Left	1
H	07894	Upper Bracket Right	1
I	03984	Lower Bracket	2
J	18207	Flat Washer 2" dia.	6
K	18444	Flat Washer 3/8"	6
L	11801	Roll Plate	2

## Tools Used:

3/8" drive	1/2" x 3/8" socket
14mm socket & ratchet	pry bar
17mm wrench	cut off wheel
floor jacks or other lifting device	drill
1/4" drill bit	

**IMPORTANT: Always keep safety in mind when working on your vehicle. Completely read these instructions before installing the kit.**

## I. Preparing the Vehicle

1. Raise the vehicle and support the body with a hoist or jackstands.
2. Remove the rear wheels.

## II. Removing the Strut

1. Remove the section of interior trim blocking access to the upper shock mount (Figure 1).

**NOTE: This is located behind the seats in the trunk compartment above the strut pocket.**

2. Remove the two upper retaining nuts, washer, and bushing from the upper shock mount and save for reinstallation (Figure 2).

**NOTE: Remove the upper retaining hardware from both sides of the vehicle before proceeding with instructions.**

3. Remove the nut and washer from the axle assembly and save for reinstallation (Figure 3).

4. Remove the shock from the vehicle and save for reinstallation (Figure 4).

**NOTE: Remove the shocks from both sides of the vehicle before proceeding with instructions.**

5. Elevate the rear of the vehicle and remove the coil spring. Discard the coil spring and rubber protectors (Figure 5).

**CAUTION: Use extreme caution.**

### III. Removing Exhaust Components

1. On the passenger side of the vehicle, it will be necessary to remove the exhaust system and muffler heat shield.
2. Remove the exhaust clamp (Figure 6). Using a pry bar, remove the rubber hangers from the muffler (Figure 7).

**NOTE: One rubber hanger is located at the front end of the muffler and one is located at the back. Remove both.**

3. Remove the muffler and save for reinstallation (Figure 8).
4. Remove the two bolts from the muffler heat shield and save for reinstallation. Remove the heat shield and save for reinstallation (Figure 9).



Figure 5



Figure 6



Figure 7



Figure 8



Figure 9

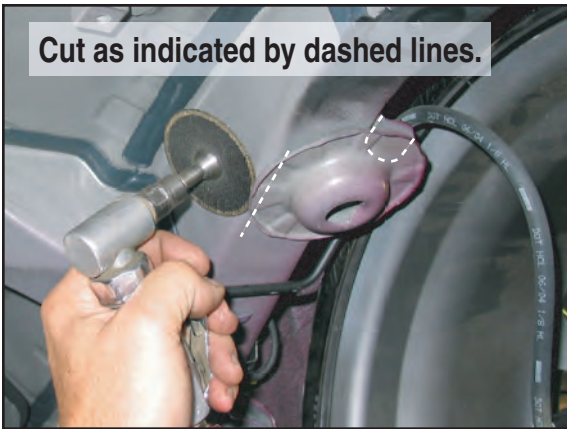


Figure 10

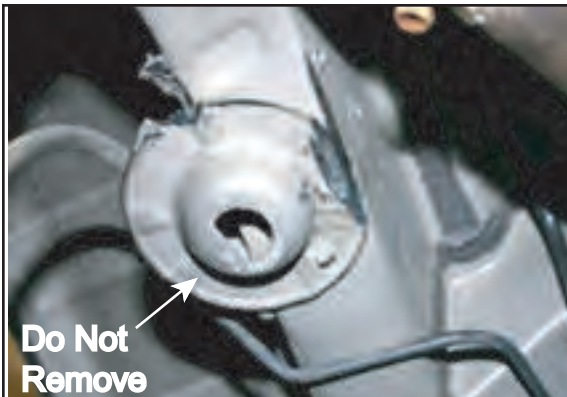


Figure 11



Figure 12



Figure 13

## IV. Preparing the Spring Perches

1. Using a die grinder or other appropriate cutting device, cut off the protruding portion of the upper spring perch as marked by the dashed line in Figure 10.

**NOTE:** *DO NOT* remove the OEM spring mount (Figure 11).

## V. Install Bag Assembly

1. Place Roll Plate (L) on bag (Figure 12).
2. Attach the upper mount (G or H) to the bag using the supplied bolts(D)and washers (K). (Figure 12).
3. Install supplied air fitting (E1 or E2) (Figure 12).

**NOTE:** Use teflon tape or thread sealant.

4. Place lower mounting plate (I) on axle (Figure 13).
5. Place bag assembly on top of lower mounting plate (Figure 14).
6. Using supplied bolts (B) and supplied washers(K),(J), thread bolt into bottom of bag assembly and snug up (Figure 16).

**NOTE:** Make sure small washer is below large washer.

## VI. Attaching Upper Mount

1. Use jack to raise axle so that upper mount comes in contact with the frame.
2. Position upper mount so that the lower tab is on the edge of the hole in the frame.

**NOTE:** Hole may have a rubber plug over it.

3. Using the tab as a template, mark this hole and drill with 1/4" bit.
4. Install supplied self-threading bolts (C) and snug up (Figure 15).

**NOTE:** Do not overtighten self-threading bolts..

5. Once the bracket is snug, drill the three remaining holes with 1/4" bit (Figure 17).
6. Install supplied self-threading bolts (C) in the holes and snug up (Figure 19).



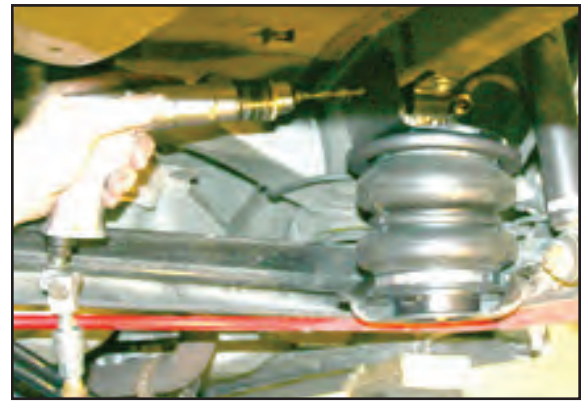
**Figure 14**



**Figure 15**



**Figure 16**



**Figure 17**



**Figure 18**



**Figure 19**



**Figure 20**



**Figure 21**



**Figure 22**



**Figure 23**

## VII. Reinstalling OEM Components

1. Remove the jounce bumper from the dust shield on the OEM shock (Figure 20).
2. With an exacto knife, cut the jounce bumper in half and save the upper portion (Figure 21).
3. Reinstall the upper portion of the jounce bumper inside the dust shield.
4. Reattach the dust shield assembly to the OEM shock using retained OEM hardware (Figure 22).
5. Reinstall the previously removed muffler and heat shield by following the removal steps in reverse (Figures 6-9).
6. Reinstall the modified shock assembly into its stock location using retained OEM upper and lower mounting hardware (Figures 2-4).
7. Reinstall the section of interior trim previously removed to gain access to the shock upper mount. Attach with retained OEM hardware (Figure 1).
8. Repeat steps 1-8 for the other side of the vehicle.
9. Finished Installation as shown (Figure 23).

## VIII. Before Operating

1. Tighten and visually inspect all hardware after 100 miles.
2. Air Lift part #27669 or #27671, AutoPilot V2 Air Management System, is highly recommended for this product.
3. Please continue by reading the Maintenance and Operation section.

XI. Maintenance and Operation:

<b>Minimum Pressure</b>	<b>Maximum Pressure</b>
<b>10 p.s.i.</b>	<b>150 p.s.i.</b>
<b><i>Failure to maintain correct minimum pressure (or pressure proportional to load),</i></b>	

***By following these steps, vehicle owners should obtain the longest life and best results from their air-struts.***

1. Always maintain Ride Height.
2. Always adjust the air pressure to maintain Ride Height. Increase or decrease pressure from the system as necessary to attain Ride Height for optimal ride and handling.
3. Should it become necessary to raise the vehicle by the frame or do any service work, make sure the system is at minimum pressure (10 p.s.i.) for safety and to reduce the tension on the suspension/brake components.



***Thank you for purchasing Air Lift Performance Products***

Mailing Address:  
AIR LIFT COMPANY  
P.O. Box 80167  
Lansing, MI 48908-0167

Street Address:  
AIR LIFT COMPANY  
2727 Snow Rd.  
Lansing, MI 48917

Local Phone: (517) 322-2144  
Fax: (517) 322-0240

For Technical Assistance call 1-800-248-0892

***“The Choice of the Professional Installer”***

Printed in the USA

# **Air Lift**<sup>™</sup> **PERFORMANCE**

## **Kit 27666** Manual Air Management System



## **INSTALLATION GUIDE**

For maximum effectiveness and safety, please read these instructions completely before proceeding with installation.

*Failure to read these instructions can result in an incorrect installation.*





# TABLE OF CONTENTS

<b>Introduction</b> .....	<b>2</b>
Important Safety Notice .....	2
Notation Explanation .....	2
<b>Hardware List</b> .....	<b>3</b>
NPT Assembly Instructions .....	3
Helpful Tips: Air Line and Fittings .....	3
<b>Installing the Air Management System</b> .....	<b>4</b>
Install Components .....	4
Mounting the Switch Panel .....	5
Attaching the Air Lines .....	5
<b>Troubleshooting Guide</b> .....	<b>6</b>
<b>Tuning the Air Pressure</b> .....	<b>7</b>
<b>Leak Testing and Detection</b> .....	<b>7</b>
<b>Installation Diagram</b> .....	<b>8-9</b>
<b>Warranty and Returns Policy</b> .....	<b>10</b>
<b>Replacement Information</b> .....	<b>11</b>
<b>Contact Information</b> .....	<b>11</b>
<b>Electrical Schematic</b> .....	<b>12</b>
<b>Paddle Switch Mounting Bracket Template</b> .....	<b>13</b>
<b>16380 Compressor Template</b> .....	<b>15</b>

# Introduction

The purpose of this publication is to assist with the installation, maintenance and troubleshooting of the Air Management System.

It is important to read and understand the entire installation guide before beginning installation or performing any maintenance, service or repair. The information here includes a hardware list, tool list, step-by-step installation information, maintenance guidelines and troubleshooting guide.

Air Lift Company reserves the right to make changes and improvements to its products and publications at any time. For the latest version of this manual, contact Air Lift Company at (800) 248-0892 or visit our website at [www.airliftcompany.com](http://www.airliftcompany.com).

## IMPORTANT SAFETY NOTICE

The installation of this kit does not alter the Gross Vehicle Weight Rating (GVWR) or payload of the vehicle. Check your vehicle's owner's manual and do not exceed the maximum load listed for your vehicle.

**Gross Vehicle Weight Rating:** The maximum allowable weight of the fully loaded vehicle (including passengers and cargo). This number — along with other weight limits, as well as tire, rim size and inflation pressure data — is shown on the vehicle's Safety Compliance Certification Label.

**Payload:** The combined, maximum allowable weight of cargo and passengers that the vehicle is designed to carry. Payload is GVWR minus the Base Curb Weight.

## NOTATION EXPLANATION

Hazard notations appear in various locations in this publication. Information which is highlighted by one of these notations must be observed to help minimize risk of personal injury or possible improper installation which may render the vehicle unsafe. Notes are used to help emphasize areas of procedural importance and provide helpful suggestions. The following definitions explain the use of these notations as they appear throughout this guide.

 **DANGER**

INDICATES IMMEDIATE HAZARDS WHICH WILL RESULT IN SEVERE PERSONAL INJURY OR DEATH.

 **WARNING**

INDICATES HAZARDS OR UNSAFE PRACTICES WHICH COULD RESULT IN SEVERE PERSONAL INJURY OR DEATH.

 **CAUTION**

INDICATES HAZARDS OR UNSAFE PRACTICES WHICH COULD RESULT IN DAMAGE TO THE MACHINE OR MINOR PERSONAL INJURY.

---

## NOTE

*Indicates a procedure, practice or hint which is important to highlight.*

---

# Hardware List

Item	Part #	Description	Quantity	Item	Part #	Description	Quantity
A	16380	Viair 380C Compressor	1	<b>Electrical</b>			
B	11955	4 Gallon Aluminum Air Tank	1	S	24782	30/50A Relay	1
C	26228	Dual Needle Gauge	2	T	24608	10 Gauge Red Wire	15'
D	21703	Paddle Switch	4	U	24643	16 Gauge Red Wire	20'
E	11031	Paddle Switch Mounting Bracket	1	V	24644	16 Gauge Black Wire	10'
F	20946	1/4" Airline	80'	W	24537	Quick Splice	3
G	10530	Air Line Cutter	1	X	24568	18 Gauge Ring Terminal	2
H	24575	145 - 175 PSI Pressure Switch	1	Y	24594	Blue Female Spade Terminal	9
<b>Paddle Switch Mounting Bracket Hardware</b>				Z	24748	12 Gauge Ring Terminal 3/8" ID	1
I	17434	#8 x 3/4" Stainless Steel Screw	4	AA	24542	Fuse Tap	1
<b>Tank Mounting Hardware</b>				BB	24561	Mini Fuse Adapter	1
J	17188	3/8"-16 x 1.25" Grade 5 Bolt	4	CC	24649	Yellow Butt Connector	1
K	18444	3/8" Flat Washer	8	DD	24595	Yellow Female Spade Terminal	2
L	18435	3/8"-16 Nyloc Nut	4	EE	17263	1/4" x 1" Self Threading Screw	1
<b>Tank Fittings</b>				FF	24539	Fuse Holder	1
M	21737	3/8" Pipe Plug	1	GG	24547	30A Spade Fuse	1
N	21738	1/4" FNPT x 3/8" MNPT Bushing	1	HH	17132	1/2" Self Threading Screw	2
O	21779	1/4" NPT x 1/4" Tube Elbow	2	<b>Gauge and Paddle Switch Fittings</b>			
P	21610	1/8" FNPT x 1/4" MNPT Bushing	1	II	21838	1/4" Union Tee	4
Q	21633	Inflation Valve	1	JJ	21842	1/4" Y Tee	3
R	23586	Thread Sealant	1				



Missing or damaged parts? Call Air Lift customer service at (800) 248-0892 for a replacement part.

## NPT ASSEMBLY INSTRUCTIONS

1. Inspect the port and fitting ensuring both are free of contaminants and excessive burrs and nicks.
2. Apply a stripe of liquid pipe sealant around the male threads leaving the first two threads uncovered.
3. Screw finger tight into the port.
4. Wrench tighten the fitting to the correct turns past finger tight position (see table 1).



NEVER BACK OFF AN INSTALLED PIPE FITTING TO ACHIEVE PROPER ALIGNMENT. LOOSENING INSTALLED PIPE FITTINGS WILL CORRUPT THE SEAL AND CONTRIBUTE TO LEAKAGE AND FAILURE.

Torque Specifications		
Fitting Size	Turns Past Finger Tight	Torque lb/ft
1/8" NPT	1.5 - 3.0	12
1/4" NPT	1.5 - 3.0	25
3/8" NPT	1.5 - 3.0	40
1/2" NPT	1.5 - 3.0	54
3/4" NPT	1.5 - 3.0	78
1" NPT	1 - 2.5	112
1 1/4" NPT	1 - 2.5	154
1 1/2" NPT	1 - 2.5	211
2" NPT	1 - 2.5	300

Table 1

## HELPFUL TIPS: AIR LINE AND FITTINGS

1. Minimum hose bend radius
  - 1/4" hose = 1" hose bend radius.
2. Hose to fitting
  - No side loading on fitting from hose.
  - Hose straight for 1" before bending.
3. Hose cutting
  - Cut hose perpendicular to hose length.
  - Inspect hose for scratches that run lengthwise on hose prior to insertion.
  - Use proper hose cutter, cigar cutter, or razor on flat surface.
4. DOT/SAEJ844 air brake hose data
  - Maximum working pressure of 175 PSI.
  - Not to be used for frame (body) to un-sprung mass connection, use a braided leader hose for this moving connection.

Compressor Tank Pressure		
Viair	Air Lift P/N	Max. Tank Pressure
380C	16380	175
400C	16400	150
444C	16444	175
450C	16450	150

*Table 2*

# Installing the Air Management System

## INSTALL COMPONENTS

**NOTE**

*For a complete schematic, please see fig. 1. (pages 8 – 9)*

### **Layout**

1. Plan component location first.
2. Prior to mounting components, check to make sure:
  - the compressor leader hose will reach the tank.
  - the plumbing will route cleanly through the vehicle.

**NOTE**

*Be sure to install all components as far as possible from any heat sources. Plan and prepare wiring and plumbing routing thru the vehicle. Eliminate all sharp edges that could chafe. Use grommets when passing through compartment walls.*

### **Prepare and install the compressor**

1. Prepare the compressor intake. If inside the vehicle, attach filter to port on end of compressor (fig. 1). If the compressor is located outside the vehicle, snorkel inlet filter to a dry location inside vehicle using components supplied with the compressor.
2. Center punch and drill four holes using the template on page 15.
3. Attach using the hardware supplied with the compressor.

**NOTE**

*Air compressors ingest moisture and will deposit water in the tank. Tanks must be regularly purged to eliminate the possibility of water freezing inside the system or causing corrosion. Be sure to provide easy access to drain/fill valve (preferably outside the vehicle). The system does not include moisture separators or water traps, and does require periodic tank moisture drain. If using an engine driven compressor, proper oil and water filtration must be added as these compressors will contaminate the air suspension system. Water traps are available and sold separately through Air Lift Performance, part numbers: 21011 (1/4"), 21012 (3/8"), 21013 (1/2").*

**Tank pre-assembly** (see fig. 1)

1. Determine tank location and orientation prior to installing fittings.
2. Apply thread sealant as necessary to all fittings.
3. Install the drain/fill PTC fitting in the lower most tank threaded port.
4. Choose a tank threaded port for the compressor fitting.
5. Choose the highest tank threaded port for air line supply.
6. Plug any remaining tank ports with hex plugs.

**Tank install** (see fig. 1)

1. Using the tank feet as a template, drill holes for hardware assembly.
2. Attach the tank using the supplied hardware.
3. Cut an appropriate length of hose from the manifold port T, to the PTC fitting on the tank.
4. Route the drain/fill air line with a schrader valve (preferably outside the vehicle).

**NOTE**

*When cutting plastic air line, only use a standard hose cutter like (Air Lift part number 10530) or razorblade. Cut all hose ends square and as smoothly as possible. See hose cutting tips on page 4.*

**MOUNTING THE SWITCH PANEL**

Refer to the switch panel template on page 13.

1. Find a location to mount the paddle switch mounting bracket (E).
2. Snap all four paddle switches (D) into the paddle switch mounting bracket (E) so the DEL is toward the top.

**NOTE**

*You may select different locations for the paddle switches. The paddle switches do not need to be used with the supplied paddle switch mounting bracket.*

3. Cut six pieces of air line (F) the same length (approximately 3"-6").
4. Push four of these pieces onto the "SUP" port of the switch. Attach two Y fittings (JJ) to the air lines.
5. Push the other two pieces of line into the Y fittings (JJ).
6. Attach the last Y fitting (JJ) to the air lines.
7. Mount the paddle switch mounting bracket (E) with four screws (I).

**ATTACHING THE AIR LINES** **CAUTION**

WHEN CUTTING OR TRIMMING THE AIR LINE, USE AN AIR LINE CUTTER (G), A RAZOR BLADE OR A SHARP KNIFE. A CLEAN, SQUARE CUT WILL ENSURE AGAINST LEAKS. DO NOT USE WIRE CUTTERS OR SCISSORS TO CUT THE AIR LINE. THESE TOOLS MAY FLATTEN OR CRIMP THE AIR LINE, CAUSING IT TO LEAK.

1. Run a length of air line (F) from the air fitting on the compressor to the end of the switch cluster.
2. Run a length of air line from the remaining air fittings on the switch to its respective air spring.
3. Repeat step 2 for the remaining air fittings and air springs.
4. Use a tee and connect into each one of the air spring lines to connect to its respective gauge port.
5. Test and make sure that the switches operate the appropriate air springs.

# Troubleshooting Guide

For further technical assistance please contact our customer service department by calling (800) 248-0892, Monday through Friday. For calls from outside the USA or Canada, our local number is (517) 322-2144.

<b>PROBLEM</b>	<b>CAUSE</b>	<b>SOLUTION</b>
<i>Compressor doesn't run</i>	There is a blown fuse or relay, bad ground, or poor electrical connections.	Replace the fuse, check the ground wire, or check the compressor connector
<i>Compressor runs all the time.</i>	The compressor relay is defective or there is a leak.	Replace the relay or locate the leak and repair.
<i>Air spring or tank leak.</i>	Fitting seal or air line is compromised.	Check to make sure air lines are seated in connectors. Inspect fittings with soapy water. Trim hose or re-seal fitting.
<i>Compressors runs all the time but doesn't fill the tank.</i>	Compressor in-line check valve fitting has been overtorqued.	Loosen fitting and check again. Replace if needed.

---

# Tuning the Air Pressure

Pressure determination comes down to three things — level vehicle, ride comfort, and stability.

## 1. Level vehicle

If the vehicle's headlights are shining into the trees or the vehicle is leaning to one side, then it is not level. Raise the air pressure to correct either of these problems and level the vehicle.

## 2. Ride comfort

If the vehicle has a rough or harsh ride it may be due to either too much pressure or not enough. Try different pressures to determine the best ride comfort.

## 3. Stability

Stability translates into safety and should be the priority, meaning the driver may need to sacrifice a perfectly level and comfortable ride. Stability issues include roll control, bounce, dive during braking and sponginess. Tuning out these problems usually requires an increase in pressure.

# Leak Testing and Detection

## *Leak detection*

1. A leak can be defined as a loss of pressure of more than 5 psi over an 8 hour period. Be aware that ambient temperature change has an effect on pressure that may seem like a leak. For example: a change of 10° Fahrenheit up or down from your baseline will have an approximate gain or loss of indicated pressure of 2 psi. If a leak is suspected after including any temperature change, then proceed to #2.
2. Spray soapy water (1/5 Dawn brand dish soap to 4/5 water) on suspect fittings and hose connections and look for any bubbling caused by air leakage.
3. Fix leaking connection (review pages 3 and 4 for help on NPT fittings and air line connections).
4. Wipe down sprayed connections with rag to remove any residual soapy water.

---

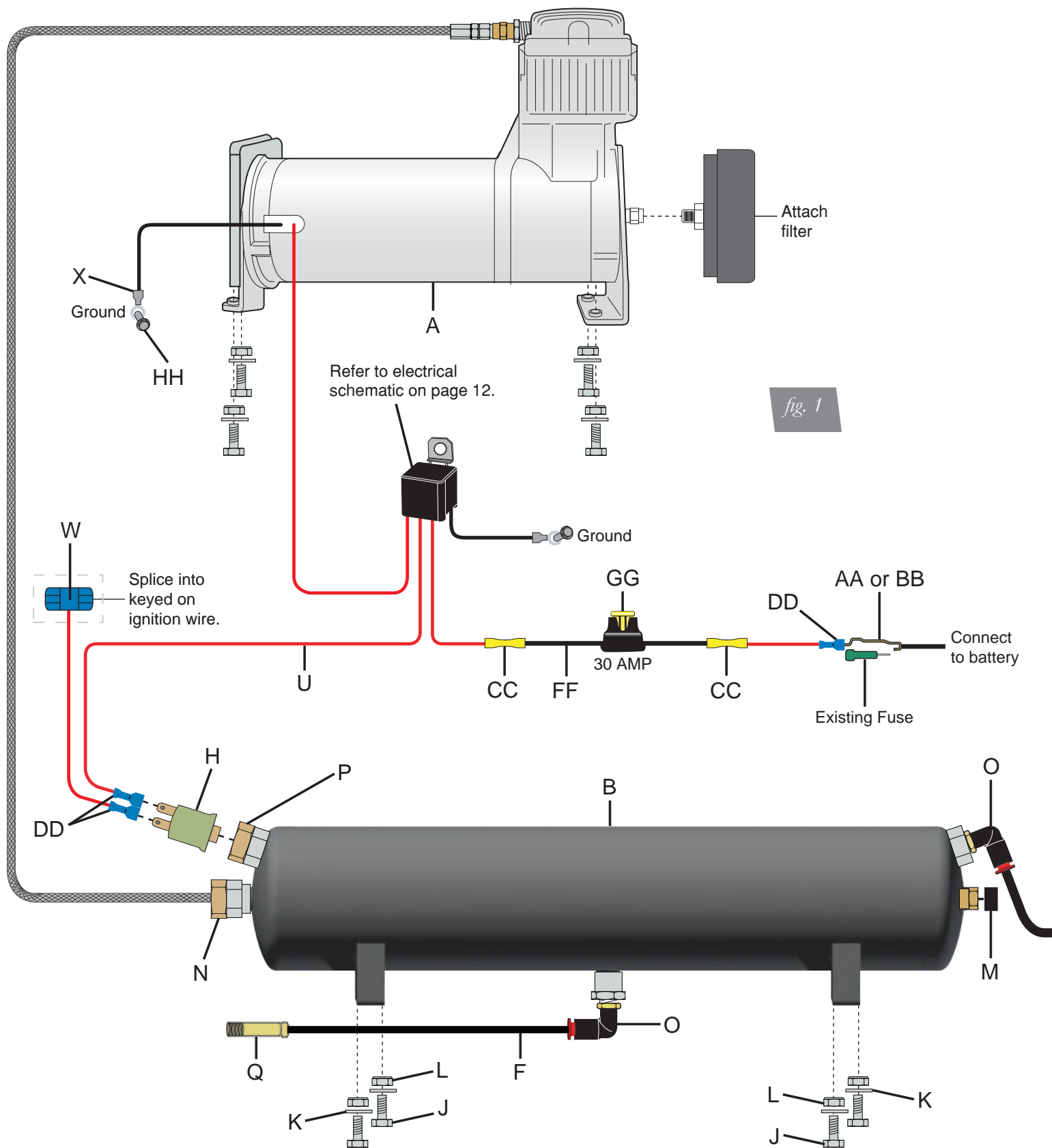
## NOTE

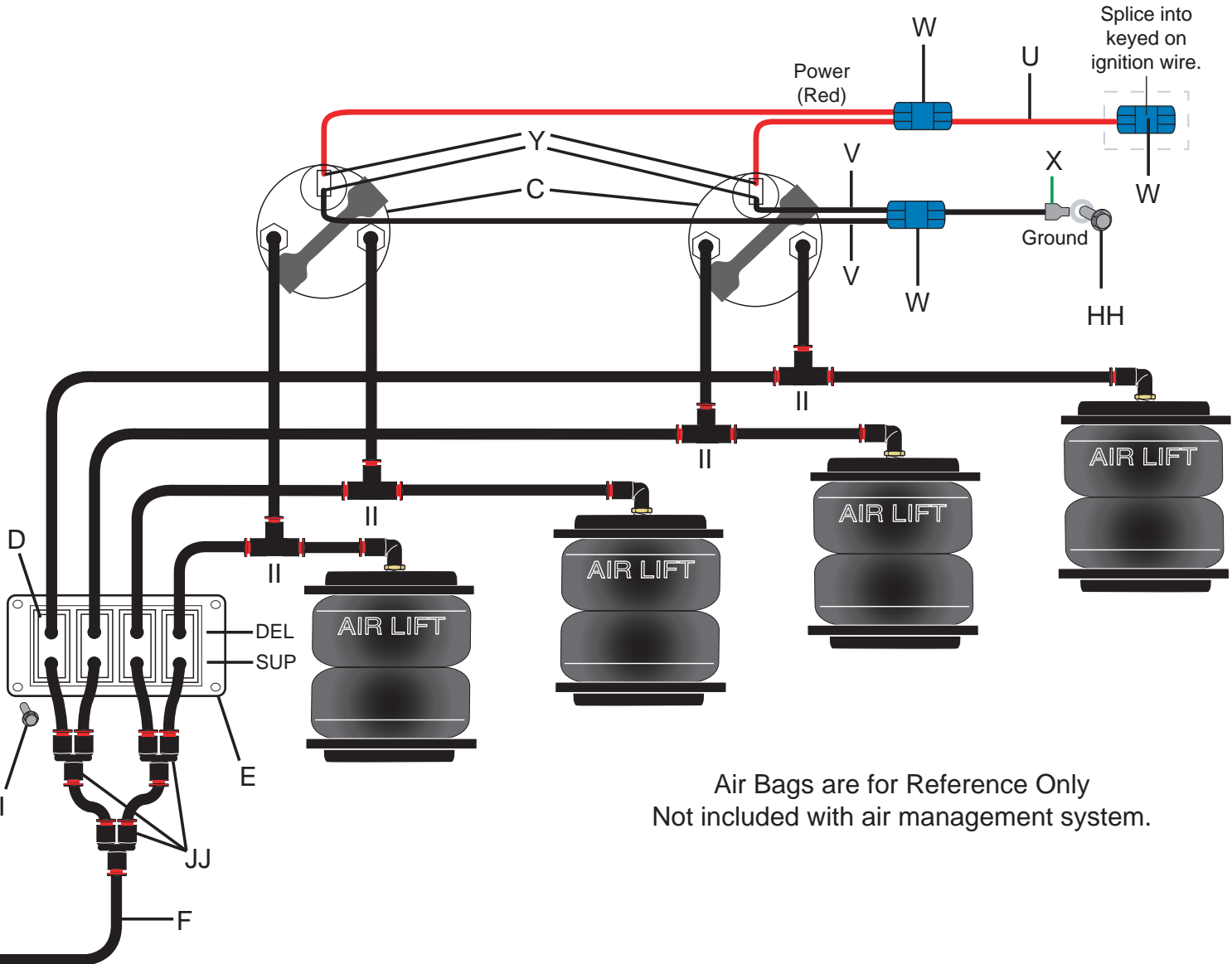
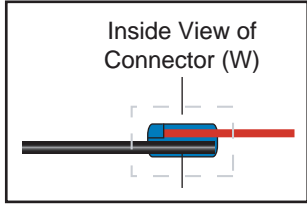
*Dawn brand dish soap will not corrode the metals (aluminum, brass, steel) with which it comes into contact.*

---



# Installation Diagram





Air Bags are for Reference Only  
Not included with air management system.

**NOTE:** Air Lift recommends using a hose cutting tool to ensure a proper cut. If a hose connection has been disconnected the hose must be trimmed 1/2" back to provide for a leak free seal.

# Warranty and Returns Policy

Air Lift Company warrants its products, for the time periods listed below, to the original retail purchaser against manufacturing defects when used on catalog-listed applications on cars, vans, light trucks and motorhomes under normal operating conditions for as long as Air Lift manufactures the product. The warranty does not apply to products that have been improperly applied, improperly installed, used in racing or off-road applications, used for commercial purposes, or which have not been maintained in accordance with installation instructions furnished with all products. The consumer will be responsible for removing (labor charges) the defective product from the vehicle and returning it, transportation costs prepaid, to the dealer from which it was purchased or to Air Lift Company for verification.

Air Lift will repair or replace, at its option, defective products or components. A minimum \$10.00 shipping and handling charge will apply to all warranty claims. Before returning any defective product, you must call Air Lift at (800) 248-0892 in the U.S. and Canada (elsewhere, (517) 322-2144) for a Returned Materials Authorization (RMA) number. Returns to Air Lift can be sent to: Air Lift Company • 2727 Snow Road • Lansing, MI • 48917.

Product failures resulting from abnormal use or misuse are excluded from this warranty. The loss of use of the product, loss of time, inconvenience, commercial loss or consequential damages is not covered. The consumer is responsible for installation/reinstallation (labor charges) of the product. Air Lift Company reserves the right to change the design of any product without assuming any obligation to modify any product previously manufactured.

This warranty gives you specific legal rights and you may also have other rights that vary from state-to-state. Some states do not allow limitations on how long an implied warranty lasts or allow the exclusion or limitation of incidental or consequential damages. The above limitation or exclusion may not apply to you. There are no warranties, expressed or implied including any implied warranties of merchantability and fitness, which extend beyond this warranty period. There are no warranties that extend beyond the description on the face hereof. Seller disclaims the implied warranty of merchantability. (Dated proof of purchase required.)

<b>Air Lift 1000™</b> .....	<b>Lifetime Limited</b>	<b>LoadController/Dual™</b> .....	<b>2 Year Limited</b>
<b>RideControl™</b> .....	<b>Lifetime Limited</b>	<b>Load Controller™ (I)</b> .....	<b>2 Year Limited</b>
<b>LoadLifter 5000™*</b> .....	<b>Lifetime Limited</b>	<b>Load Controller™ (II)</b> .....	<b>2 Year Limited</b>
<b>SlamAir™</b> .....	<b>Lifetime Limited</b>	<b>SmartAir™</b> .....	<b>2 Year Limited</b>
<b>AirCell™</b> .....	<b>Lifetime Limited</b>	<b>Wireless AIR™</b> .....	<b>2 Year Limited</b>
<b>Air Lift Performance™**</b> .....	<b>1 Year Limited</b>	<b>WirelessONE™</b> .....	<b>2 Year Limited</b>
<b>LoadController/Single™</b> ..	<b>2 Year Limited</b>	<b>Other Accessories</b> .....	<b>2 Year Limited</b>

*\*formerly SuperDuty*

*\*\*formerly LifeStyle & Performance and Easystreet*

---

# Replacement Information

If you need replacement parts, contact the local dealer or call Air Lift customer service at (800) 248-0892. Most parts are immediately available and can be shipped the same day.

**Contact Air Lift Company customer service at (800) 248-0892 first if:**

- Parts are missing from the kit.
- Need technical assistance on installation or operation.
- Broken or defective parts in the kit.
- Wrong parts in the kit.
- Have a warranty claim or question.

**Contact the retailer where the kit was purchased:**

- If it is necessary to return or exchange the kit for any reason.
- If there is a problem with shipping if shipped from the retailer.
- If there is a problem with the price.

# Contact Information

If you have any questions, comments or need technical assistance contact our customer service department by calling (800) 248-0892, Monday through Friday. For calls from outside the USA or Canada, our local number is (517) 322-2144.

For inquiries by mail, our address is PO Box 80167, Lansing, MI 48908-0167. Our shipping address for returns is 2727 Snow Road, Lansing, MI 48917.

You may also contact us anytime by e-mail at [sales@airliftcompany.com](mailto:sales@airliftcompany.com) or on the web at [www.airliftcompany.com](http://www.airliftcompany.com).

# Electrical Schematic

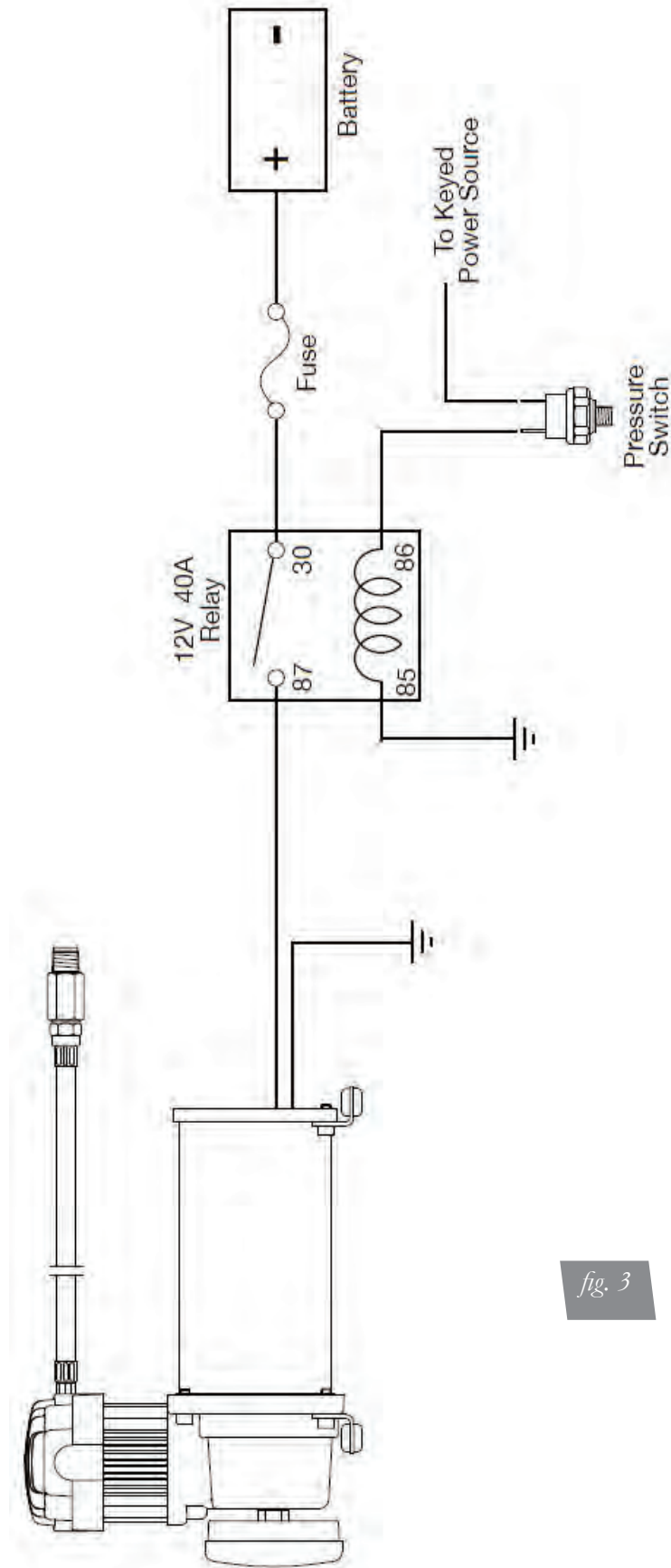
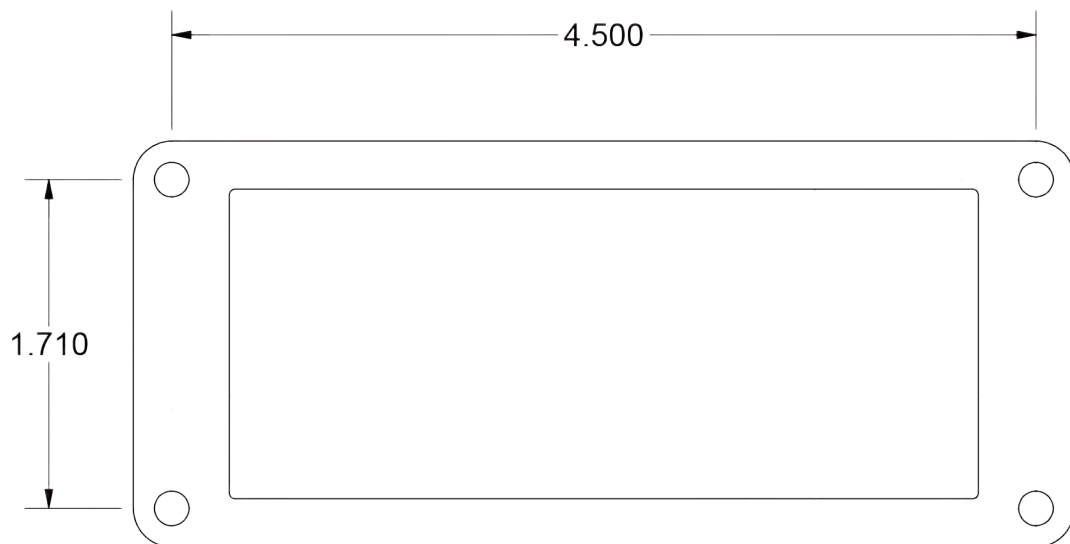


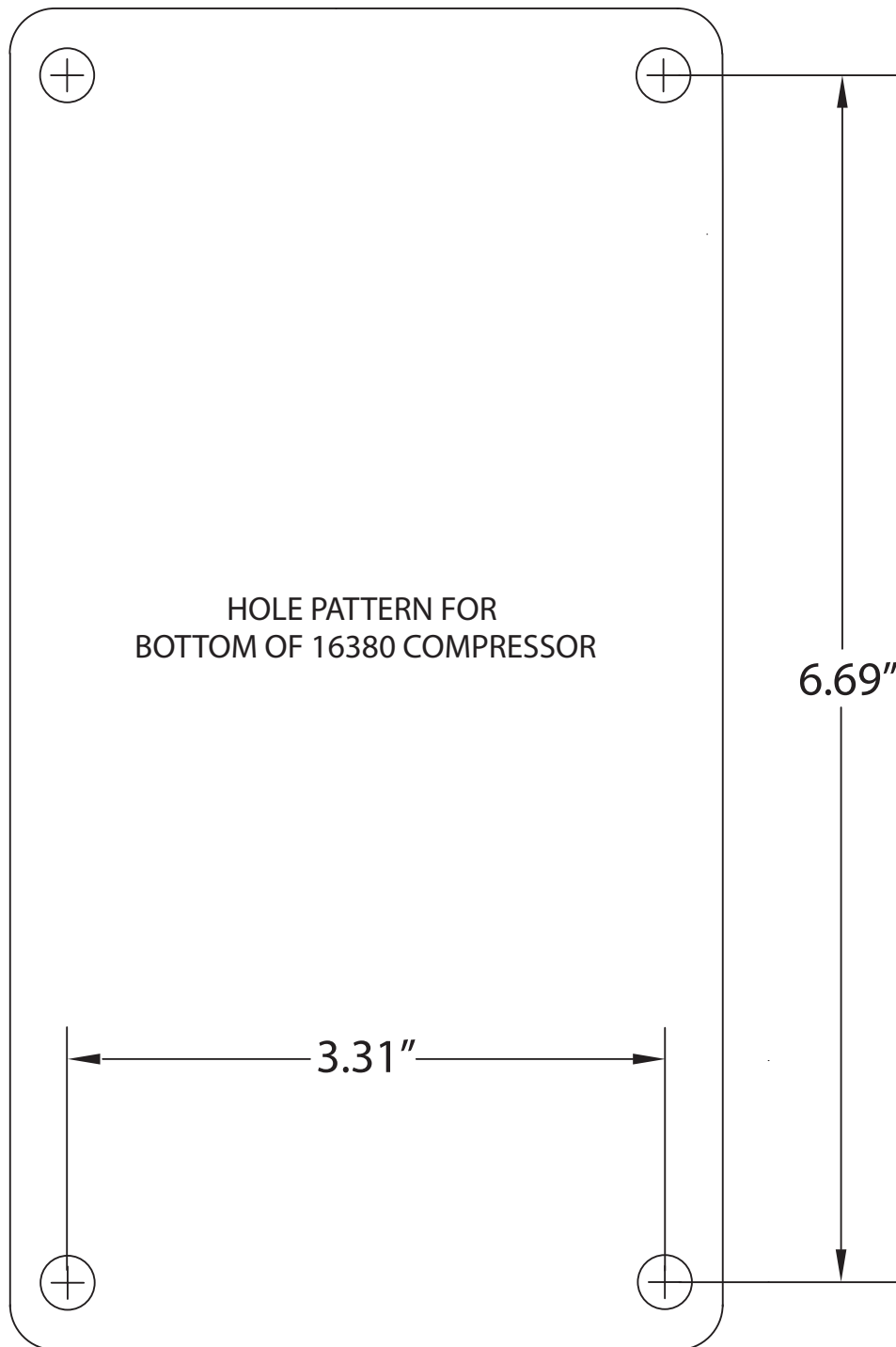
fig. 3

# Paddle Switch Mounting Bracket Template





# 16380 Compressor Template









## Need Help?

Contact our customer service department by calling (800) 248-0892, Monday through Friday. For calls from outside the USA or Canada, our local number is (517) 322-2144.



*Thank you for purchasing Air Lift Performance products!*

Air Lift Performance • 2727 Snow Road • Lansing, MI 48917 or PO Box 80167 • Lansing, MI 48908-0167  
Toll Free (800) 248-0892 • Local (517) 322-2144 • Fax (517) 322-0240 • [www.airliftperformance.com](http://www.airliftperformance.com)

Printed in  
the USA