

LoadLIFTER™ 5000

by AIR LIFT®

Kit 57396

Ford F-250/F-350/F-450
(Single and Dual Rear Wheel)
4-Wheel Drive



INSTALLATION GUIDE

For maximum effectiveness and safety, please read these instructions completely before proceeding with installation.

Failure to read these instructions can result in an incorrect installation.

TABLE OF CONTENTS

Introduction	2
Important Safety Notice	2
Notation Explanation	2
Installation Diagrams	3
Installation Diagram - Driver Side	3
Installation Diagram - Passenger Side	4
Hardware and Tools Lists	5
Hardware List	5
Tools List	5
Installing the LoadLifter 5000 System	6
Getting Started	6
Installing the Braces	7
Driver Side Brace Installation	7
Passenger Side Brace Installation	8
Bellows and Bracket Assembly	9
Attaching the Assembly to the Frame	11
Attaching the Lower Bracket to the Axle	13
Installing the Air Lines	14
Installing the Heat Shield	15
Checking for Leaks	16
Fixing Leaks	16
Before Operating	17
Installation Checklist	17
Post-Installation Checklist	17
Product Use, Maintenance and Servicing	17
Minimum and Maximum Pressure	17
Maintenance Guidelines	18
Troubleshooting Guide	18
Frequently Asked Questions	19
Tuning the Air Pressure	19
Guidelines for Adding Air	20
Warranty and Returns Policy	21
Replacement Information	22
Contact Information	22

Introduction

The purpose of this publication is to assist with the installation, maintenance and troubleshooting of the LoadLifter 5000 air spring kit. LoadLifter 5000 utilizes sturdy, reinforced, commercial grade single or double, depending on the kit, convolute bellows. The bellows are manufactured like a tire with layers of rubber and cords that control growth. LoadLifter 5000 kits are recommended for most 3/4 and 1 ton pickups and SUVs with leaf springs and provide up to 5,000 lbs. of load leveling support with air adjustability from 5-100 PSI. The kits are also used in motor home rear kits and some motor home fronts where leaf spring are used.

It is important to read and understand the entire installation guide before beginning installation or performing any maintenance, service or repair. The information here includes a hardware list, tool list, step-by-step installation information, maintenance guidelines and operating tips.

Air Lift Company reserves the right to make changes and improvements to its products and publications at any time. For the latest version of this manual, contact Air Lift Company at (800) 248-0892 or visit our website at www.airliftcompany.com.

IMPORTANT SAFETY NOTICE

The installation of this kit does not alter the Gross Vehicle Weight Rating (GVWR) or payload of the vehicle. Check your vehicle's owner's manual and do not exceed the maximum load listed for your vehicle.

Gross Vehicle Weight Rating: The maximum allowable weight of the fully loaded vehicle (including passengers and cargo). This number — along with other weight limits, as well as tire, rim size and inflation pressure data — is shown on the vehicle's Safety Compliance Certification Label.

Payload: The combined, maximum allowable weight of cargo and passengers that the truck is designed to carry. Payload is GVWR minus the Base Curb Weight.

NOTATION EXPLANATION

Hazard notations appear in various locations in this publication. Information which is highlighted by one of these notations must be observed to help minimize risk of personal injury or possible improper installation which may render the vehicle unsafe. Notes are used to help emphasize areas of procedural importance and provide helpful suggestions. The following definitions explain the use of these notations as they appear throughout this guide.

DANGER

INDICATES IMMEDIATE HAZARDS WHICH WILL RESULT IN SEVERE PERSONAL INJURY OR DEATH.

WARNING

INDICATES HAZARDS OR UNSAFE PRACTICES WHICH COULD RESULT IN SEVERE PERSONAL INJURY OR DEATH.

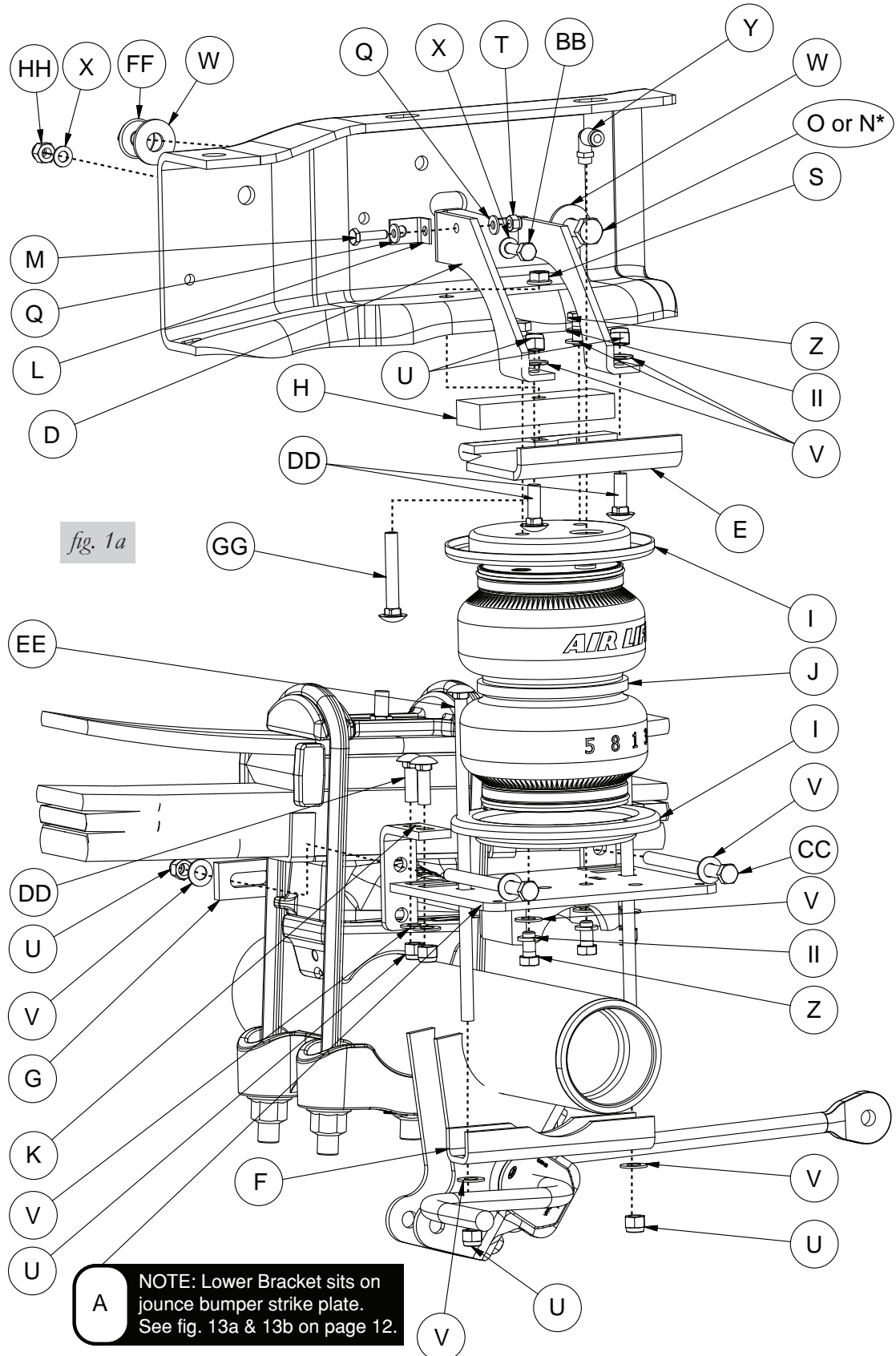
CAUTION

INDICATES HAZARDS OR UNSAFE PRACTICES WHICH COULD RESULT IN DAMAGE TO THE MACHINE OR MINOR PERSONAL INJURY.

NOTE

Indicates a procedure, practice or hint which is important to highlight.

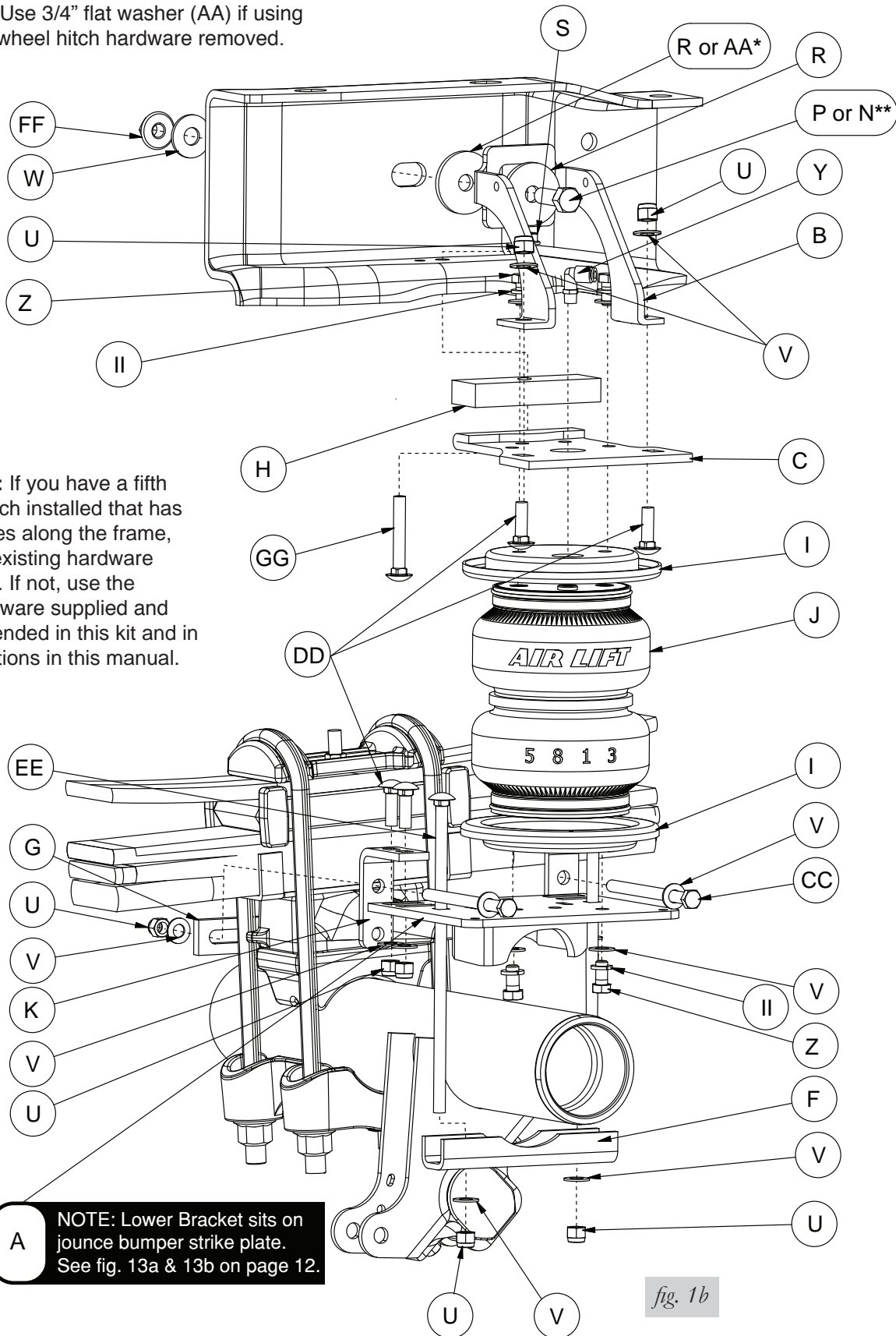
Installation Diagram - Driver Side



* **NOTE:** If you have a fifth wheel hitch installed that has side plates along the frame, use the existing hardware removed. If not, use the 1/2" hardware supplied and recommended in this kit and in the directions in this manual.

Installation Diagram - Passenger Side

* **NOTE:** Use 3/4" flat washer (AA) if using 3/4" fifth wheel hitch hardware removed.



** **NOTE:** If you have a fifth wheel hitch installed that has side plates along the frame, use the existing hardware removed. If not, use the 1/2" hardware supplied and recommended in this kit and in the directions in this manual.

A NOTE: Lower Bracket sits on jounce bumper strike plate. See fig. 13a & 13b on page 12.

fig. 1b

Hardware and Tools Lists

HARDWARE LIST

Item	Part #	Description	Qty
A	03990	Lower Bracket.....	2
B	07996	Upper Brace (right)	1
C	07997	Upper Bracket (right).....	1
D	07994	Upper Brace (left).....	1
E	07995	Upper Bracket (left).....	1
F	01531	Clamp Bar.....	2
G	10861	Spring Clamp Bar.....	2
H	13966	Spacer.....	2
I	11951	Roll Plate.....	4
J	58437	Bellows.....	2
K	10880	Four Hole Locating Bracket	4
L	10886	“L” Bracket	1
M	17135	1/4”-20 X 1” Hex Cap Screw	1
N	17271	1/2”-13 X 3” Hex Cap Screw	2
O	17412	1/2”-13 X 1.25” Hex Cap Screw	1
P	17161	1/2”-13 X 1.5” Hex Cap Screw	1
Q	18419	Flat Washer #12.....	2
R	18207	1/2” Thick Flat Washer.....	2
S	18422	3/8”-16 Serrated Flange Lock Nut.....	2
T	18425	1/4”-20 Nyloc Nut	1
U	18435	3/8”-16 Nyloc Nut.....	20
V	18444	3/8” Flat Washer	32
W	18485	1/2” Flat Washer	3
X	18501	M8 Flat Washer.....	2
Y	21837	90° Swivel Air Fitting	2
Z	17203	3/8”-24 X 7/8” Hex Cap Screw	8
AA	18556	3/4” Flat Washer	1
BB	17177	8mm-1.25 X 25mm Hex Cap Screw ...	1
CC	17184	3/8”-16 X 5” Hex Tap Bolt	4
DD	17361	3/8”-16 X 1.25” Carriage Bolt.....	12
EE	17387	3/8”-16 X 10” Carriage Bolt.....	4
FF	18505	1/2”-13 Serrated Flange Lock Nut.....	2
GG	17140	3/8”-16 X 2” Carriage Bolt.....	2
HH	18522	M8 X 1.25 Nyloc Nut.....	1
II	18427	3/8” Lock Washer.....	8
JJ	20086	Air Line Assembly	1
KK	10466	Zip Ties	6
LL	18411	5/16” Lock Washer.....	2
MM	21230	Valve Caps.....	2
NN	21233	5/16” Hex Nut.....	2
OO	21234	Rubber Washer.....	2
PP	34924	Heat Shield Kit	1

TOOLS LIST

Description.....	Qty
Metric & STD Open-Box End Wrenches	set
Ratchet with Metric and STD Sockets.....	set
Drill and 5/16” Drill Bit.....	1
Torque Wrench.....	1
Hose Cutter, Razor Blade or Sharp Knife.....	1
Hoist or Floor Jack.....	1
Safety Stands	2
Safety Glasses	1
Air Compressor or Compressed Air Source	1
Spray Bottle with Dish Soap/Water Solution	1



Missing or damaged parts? Call Air Lift customer service at (800) 248-0892 for a replacement part.

Installing the LoadLifter 5000 System

GETTING STARTED

1. Raise the vehicle and support the axle with jack stands, setting the jack stands as wide as possible on the axle. And/or support the vehicle in a way (safely) that will allow the axle to be dropped if using a hoist of some kind (fig. 2).

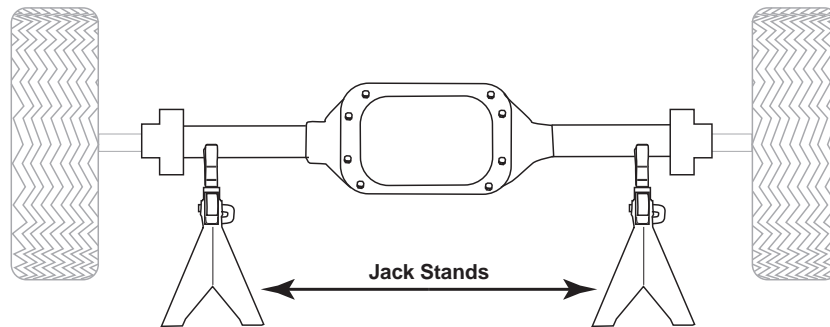


fig. 2

2. Remove the jounce bumpers from under the frame, over the axle.
3. If necessary, disconnect the wiring harness from the driver side frame rail to gain clearance for the upper brace. Also, push the harness connector out that holds the electrical lines going to the gas/urea tank in or out of the tank bracket. This will improve the socket/bolt access that will be required for installing and tightening the frame brace (fig. 3).
4. If you have a fifth wheel hitch already installed, **other than the standard factory Reese hitch purchased with the truck**, it will be necessary to remove the $\frac{1}{2}$ or $\frac{3}{4}$ " hardware that bolts the side bracket (plates) to the outside of the frame above the axle.

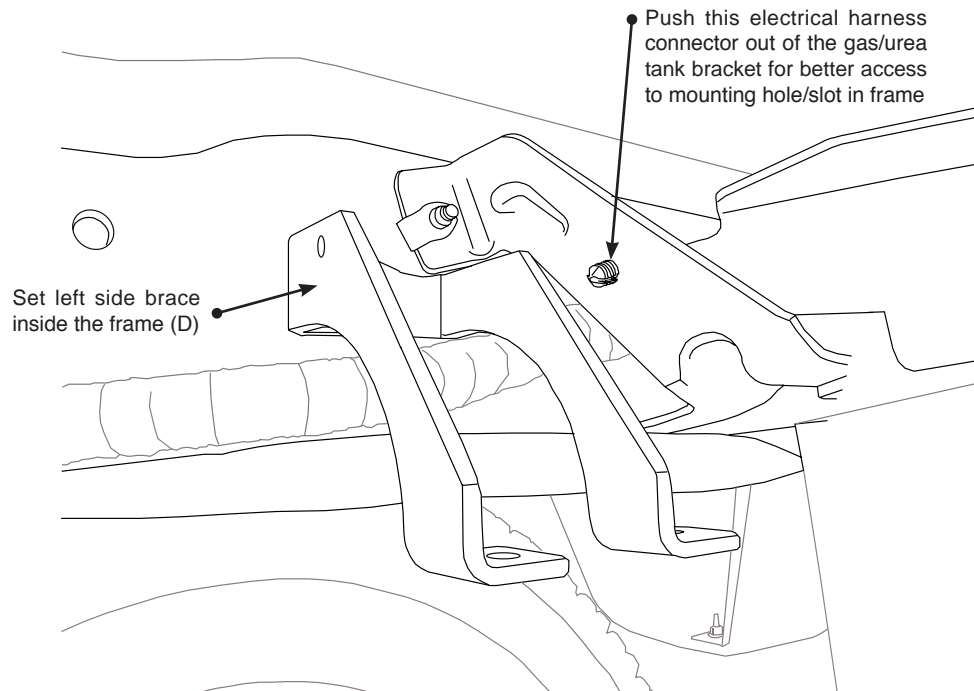


fig. 3

INSTALLING THE BRACES

NOTE

Gas engine models have emission lines on the inside of the frame. If your model truck has emission lines running along the inside of the frame rail (fig. 4), it will be necessary to relocate those lines as follows:

- Carefully push the line holder out of the frame above the axle. Try to minimize damage because it will be reused later. It may also be helpful to remove any holders forward or rearward of the axle to aid in positioning the lines once the upper brace has been installed (fig. 4). The same holds true with the electrical wire loom holders.

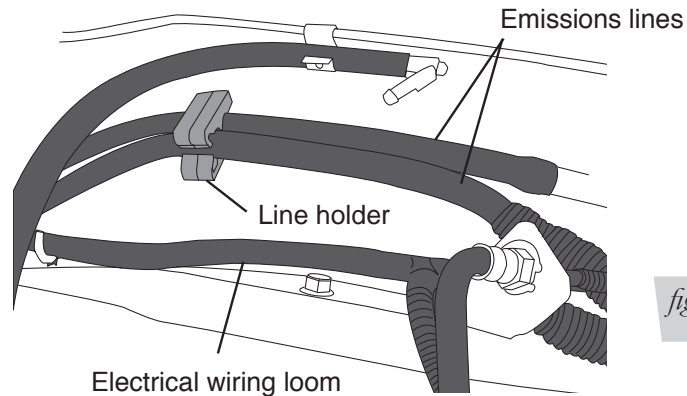


fig. 4

- Attach the L-bracket (L) to the back frame brace using the 1/4" bolt (M), flat washers (Q) and nyloc nut (T) supplied (fig. 5). This L-bracket will eventually be used to attach the previously removed emissions line. Do not attach the line holder to it at this time.

DRIVER SIDE BRACE INSTALLATION

1. Set the left upper brace (D) into the driver side frame rail. The brace has a small hole that will line up with an existing hole in the frame, insert the 8mm hex cap screw (BB) with a flat washer (X) through the brace and frame (fig. 5) and cap with flat washer (X) and M8 Nyloc nut (HH). Leave loose at this time.

If there is a fifth wheel plate on the outside of the frame, it may be necessary to drill the side plate using the existing hole in the frame as a template. It may also be necessary to use a longer M8 bolt (not supplied).

CAUTION

BE SURE NOT TO PINCH THE PREVIOUSLY MOVED WIRING OR LINES INSIDE THE LEFT FRAME RAIL.

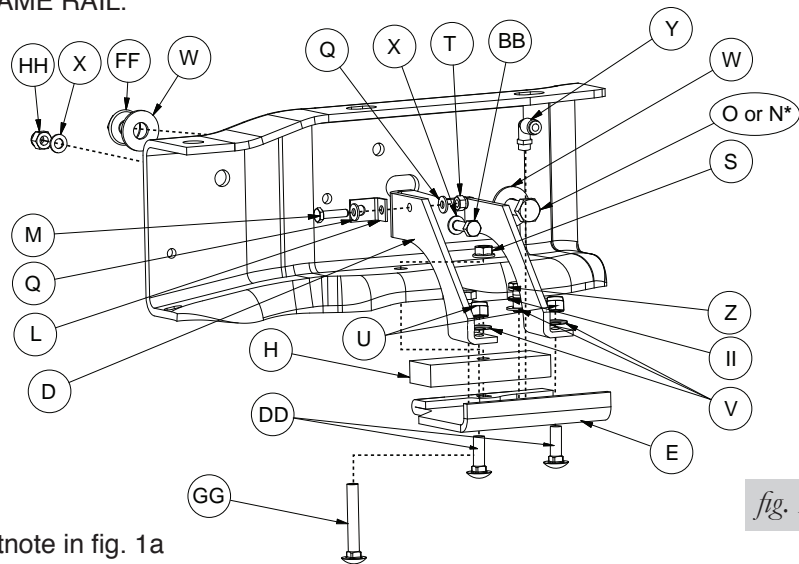


fig. 5

* See footnote in fig. 1a

2. If you have no fifth wheel hitch or if you have the **standard equipment Reese fifth wheel hitch** that was purchased on the truck from Ford, in the frame there is a slot that is forward of the M8 bolt just installed, insert the $\frac{1}{2}$ "-13 x 1.25" hex cap screw (O) and flat washer (W) through the brace and frame (from the inside out). Cap with a flat washer (W) and a $\frac{1}{2}$ " serrated flanged lock nut (FF) (fig. 5 and 6). Do not tighten at this time.

OR

If you have an aftermarket fifth wheel hitch that has a bracket (plate) running along side of the frame and it used this slot to secure the bracket to the frame with existing hardware, install the existing hardware previously removed in the "getting started section" from the fifth wheel installation for securing the brace (fig. 5). Do not tighten at this time.

OR

If you have an aftermarket fifth wheel hitch that has a bracket (plate) running along side of the frame and it does not have any attaching hardware on the side where the slot in the frame is, it will be necessary to drill a $\frac{1}{2}$ " hole through the plate using the slot in the frame as a template. Drill the hole as far back in the slot as you can.

CAUTION

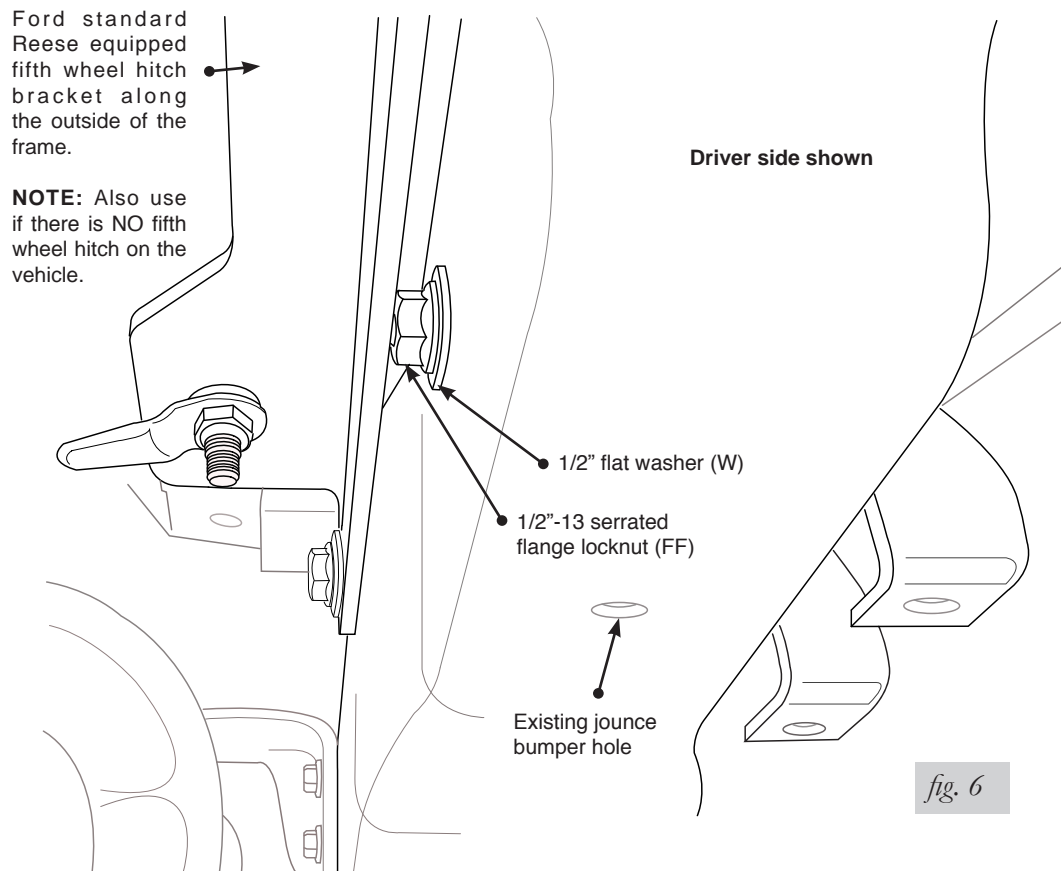
CLEAR ANY ELECTRICAL OR HARD LINES FROM THE AREA SO AS NOT TO DAMAGE THEM IN ANY WAY WHEN DRILLING THE HOLE.

NOTE

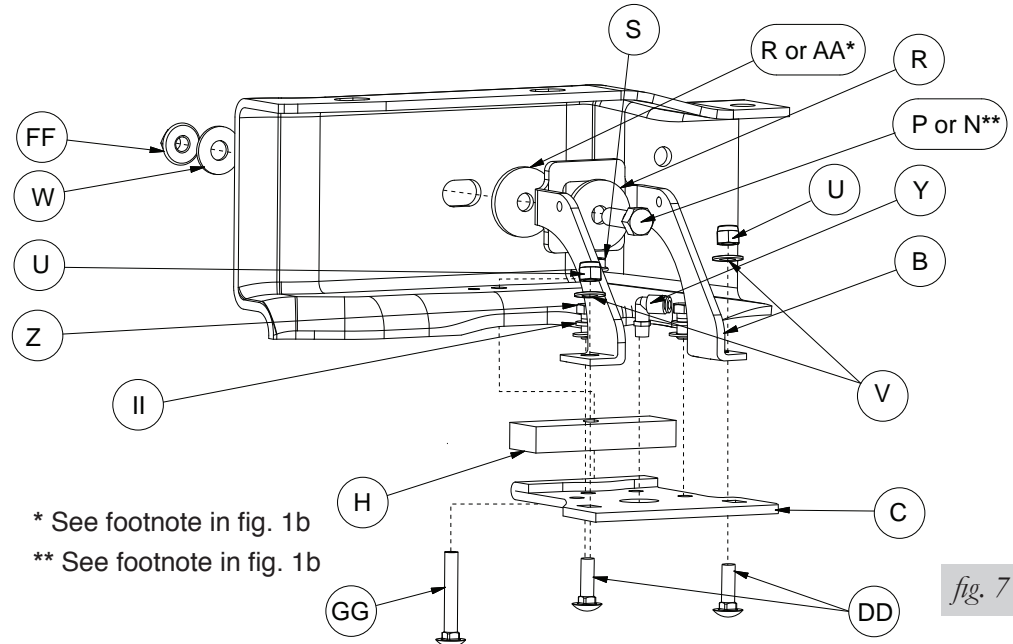
It may be necessary to mark and remove the bracket (plate) from the side of the frame in order to drill the hole correctly. Re-attach once the hole is drilled.

Insert a $\frac{1}{2}$ "-13 x 3.00" hex cap screw (N) with a flat washer (W) through the brace, frame and fifth wheel plate previously drilled. Cap with a flat washer (W) and a $\frac{1}{2}$ "-13 serrated flange lock nut (FF) (fig. 5). Leave loose at this time.

PASSENGER SIDE BRACE INSTALLATION



1. Set the right upper brace (B) into the passenger side frame rail (fig. 7).



2. If you have no fifth wheel hitch or if you have the **standard equipment Reese fifth wheel hitch** that was purchased on the truck from Ford, insert the ½”-13 x 1.50” hex cap screw (P) and large flat washer (R) through the brace, between the brace and the frame add the large flat washer (R) then through the frame (from the inside out). Cap with a flat washer (W) and a ½” serrated flanged lock nut (FF) (figs. 6 and 7). Do not tighten at this time.

OR

If you have an aftermarket fifth wheel hitch that has a bracket (plate) running along side of the frame and it used this slot to secure the bracket to the frame with existing hardware, install the existing hardware previously removed in the “Getting Started” section. However, add the thick washer (R) or (AA) depending on whether the exiting hardware is ½ or ¾” in between the brace and the frame (fig. 7). Do not tighten at this time.

OR

If you have an aftermarket fifth wheel hitch that has a bracket (plate) running along side of the frame and it does not have any attaching hardware on the side where the slot in the frame is, it will be necessary to drill a ½” hole through the plate using the slot in the frame as a template.

NOTE

It may be necessary to mark and remove the bracket (plate) from the side of the frame in order to drill the hole correctly. Re-attach once the hole is drilled.

Insert a ½”-13 x 3.00” hex cap screw (N) with a large flat washer (R) through the brace, between the brace and the frame add the large flat washer (R) then through the frame and fifth wheel plate previously drilled. Cap with a flat washer (W) and a ½”-13 serrated flange lock nut (FF) (fig. 7). Leave loose at this time.

BELLOWS AND BRACKET ASSEMBLY

1. Set a roll plate (I) over the top and bottom of the bellows (J) (fig. 1a and 1b).

NOTE

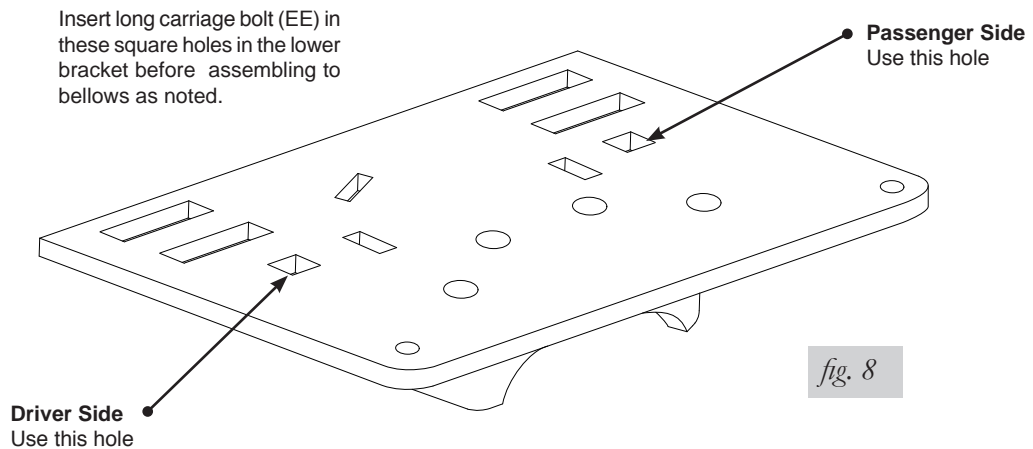
The radiused (rounded) edge of the roll plate (I) will be towards the bellows so that the bellows is seated inside both roll plates.

2. Install the swivel elbow fitting (Y) into the top of the bellows finger tight. Tighten the swivel fitting one and a half turns.

3. Insert one long carriage bolt (EE) into the lower bracket (A) (fig. 8).

NOTE

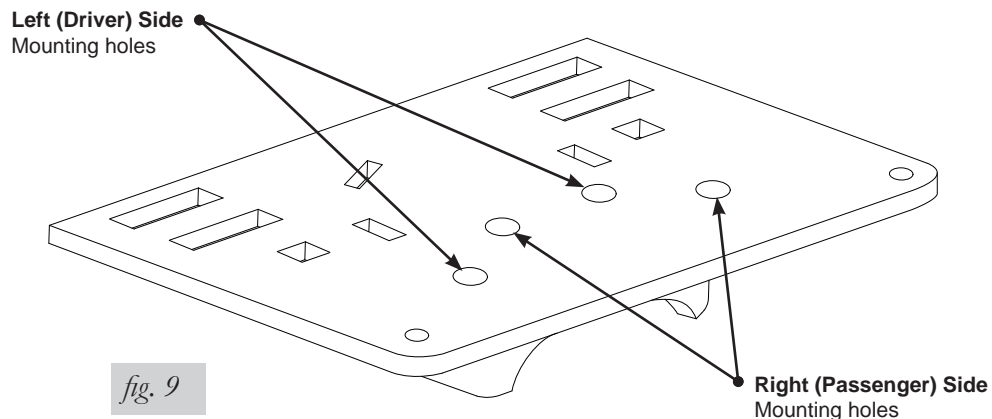
The long carriage bolt will be behind the axle once the assembly is installed on the axle.



4. The lower bracket (A) has two sets of bellows mounting holes. Using the corresponding holes in the lower bracket designated (fig. 9), attach the bellows to the brackets using the 3/8" flat washers (V), lock washers (II), and 3/8"-24 x 7/8" hex head cap screws (Z). Tighten both mounting screws securely.

NOTE

The fitting on top of the bellows points inward (refer to figs. 11 and 12).

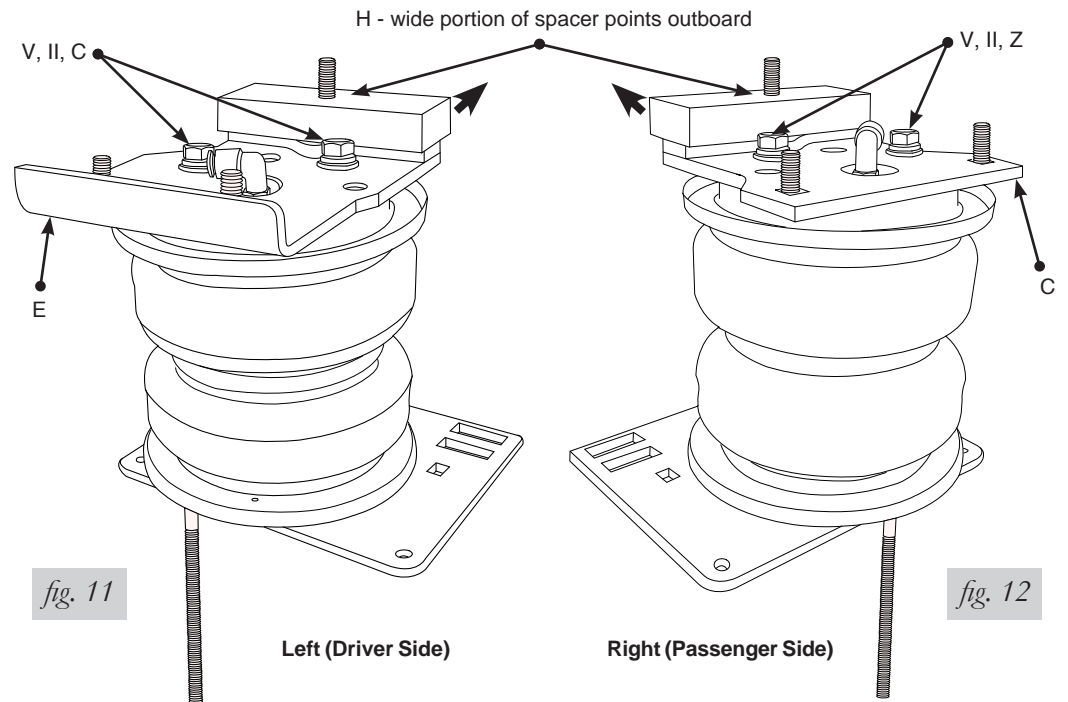
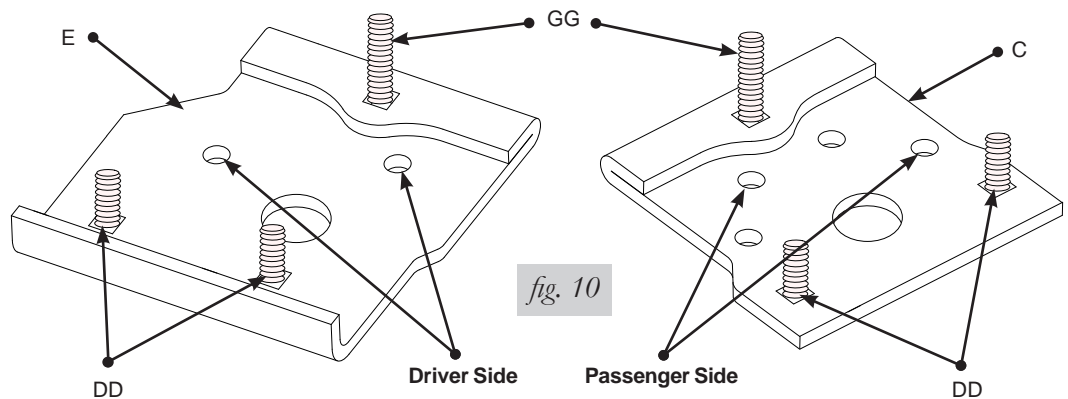


5. Insert two 3/8"-16 x 1.25" carriage bolts (DD) up through the bottom of the driver side (E) and passenger side (C) upper bracket (fig. 10), through the two square holes that are on the corresponding side. Also, insert one 3/8"-16 x 2.0" carriage bolt (GG) through the remaining hole. The head of this carriage bolt will be hidden once mounted to the bellows.
6. Set the driver side (left) upper bracket onto the driver side bellows assembly previously assembled, using the holes in the upper bracket designated fig. 10, and attach to the bellows with two 3/8" flat washers (V), lock washers (II), and 3/8"-24 x 7/8" hex head cap screws (Z). Tighten both mounting screws securely (fig. 11).
7. Repeat the above process with the passenger side assembly (fig. 12).

8. Set the spacer (H) over both long carriage bolts (figs. 11 and 12).

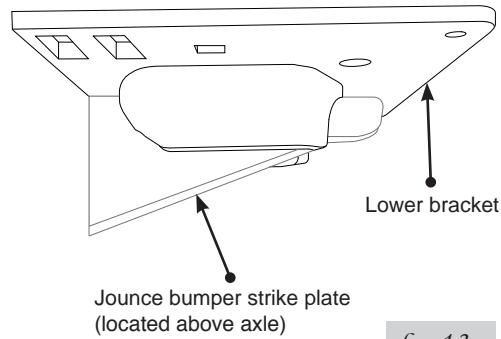
NOTE

The hole in the flat spacer (H) is offset. Install the spacer so that the wide portion faces the outside of the vehicle (figs. 11 and 12).



ATTACHING THE ASSEMBLIES TO THE FRAME

1. If not done so yet, drop the axle or raise the frame up to make room for the assemblies to be put into position.
2. Set the left (driver side) assembly onto the jounce bumper strike plate (fig. 13a & 13b). Make sure the long carriage bolt on the bottom bracket goes in between the hard brake line and the axle (this should be on the back side of the axle). Raise the axle just enough to insert the long carriage bolt (that is installed in the upper bracket) through the existing jounce bumper hole in the bottom of the frame. At the same time, line up the upper brace previously installed onto the remaining two carriage bolts in the upper bracket. Do this just enough for the carriage bolt to hold the assembly into position on the jounce bumper strike plate (figs. 1a and 5).


fig. 13a


3. Set the right (passenger side) assembly into position on the jounce bumper strike plate the same way the left side was positioned (fig. 1b and 7).
4. Raise the axle or lower the frame down so that the thick spacer (H) on the upper bracket is parallel to, and contacts the frame (on both sides).
5. Install the 3/8"-16 serrated flange nut (S) on the carriage bolt that went through the existing jounce bumper hole and tighten securely on both sides (fig. 1a and 1b).

CAUTION

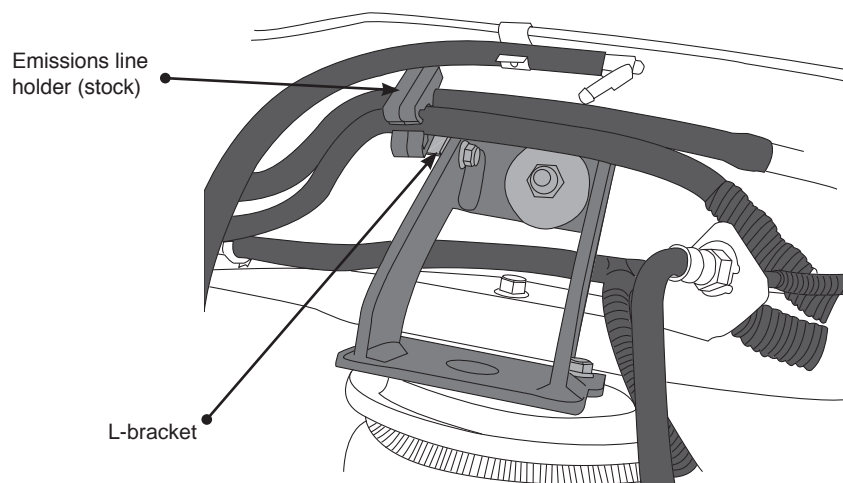
BE SURE NOT TO PINCH THE PREVIOUSLY MOVED WIRING OR LINES INSIDE THE LEFT FRAME RAIL.

6. Cap the brace/upper bracket carriage bolts with a 3/8" flat washer (V) and 3/8" nyloc nut (U) and tighten both securely on both sides.
7. With the spacers (H) on the upper brackets tight to the bottom of the frame and the braces tight to the upper bracket, tighten the 8mm (driver side only) and 1/2" or 3/4" hardware previously installed, that hold the braces to the frame. Tighten both sides securely.

NOTE

If possible use a thin 3/4" socket and it helps to pull back the driver side, 1/2" mounting hardware (O or N), as far back in the slot as you can while tightening.

8. Once the left (driver side) 1/2" or 3/4" hardware has been tightened, push the wiring harness connector which was removed in the "getting started section" back into the gas/urea tank mounting hole. If this broke during disassembly, wire tie it to the bracket (fig. 3).
9. If so equipped with the emissions line previously loosened from the frame, insert the line holder post into the L-bracket (L) attached to the back leg of the upper left brace (D) (fig. 14). It may be necessary to move the line holder post forward or back on the lines to line up correctly with the L-bracket hole. Reattach any line holders removed forward or behind the axle, if possible, that were removed to aid in positioning the upper bracket.

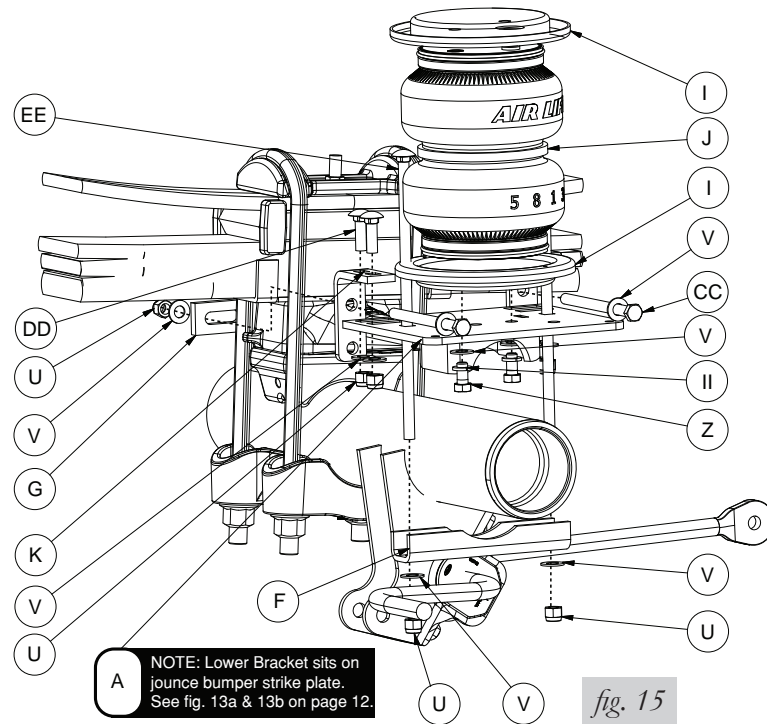


ATTACHING THE LOWER BRACKET TO THE AXLE

1. Insert a long 3/8" bolt (CC) and flat washer (V) through the top round hole of the four hole locating bracket (K). (fig. 15).

NOTE

Use the hole that is closest to the leaf spring.



2. Attach the four hole locating bracket (K) on the top of the lower bracket and through the slots, with two 3/8"-16 x 1.25" carriage bolts (DD), flat washers (V) and nyloc nuts (U). One goes forward and one goes behind the axle on the leaf spring side. Leave loose at this time.
3. Push the front and back four hole locating bracket against the stock u-bolts and tighten the short carriage bolts at this time.
4. Using the long 3/8" bolt (CC) and flat washer (V) previously installed on the four hole locating bracket, insert them into the spring clamp bar (G) on the opposite side of the leaf spring assembly (fig. 15). Cap with 3/8" flat washer (V) and nyloc nut (U). Leave loose at this time.
5. Insert a long carriage bolt (EE) through the remaining square hole in the lower bracket (forward of the axle) opposite of the one previously installed in the bellows assembly. Set the clamp bar (F) over the two carriage bolts and cap with two 3/8" flat washers (V) and two nyloc nuts (U).
6. Carefully draw the side hardware and axle hardware evenly. Torque the spring clamp bar bolts to 10ft/lbs and the axle clamp bar bolts to 16ft/lbs. Repeat for the opposite side. Trim the long carriage bolts below the nyloc nuts if necessary.

NOTE

DO NOT PINCH THE HARD BRAKE LINE ON THE PASSENGER SIDE WHILE TIGHTENING. It may be necessary on some models to not tighten the axle clamp bar evenly on the right side (passenger side) so that the clamp bar will clear the hard brake line.

Once tight, the upper and lower bracket will not be parallel and may look like they are out of alignment. This condition will be OK because of the way the lower bracket and upper bracket mounts, also there may be some variance in models and this is considered a normal condition.

INSTALLING THE AIR LINES

1. Choose a convenient location for mounting the inflation valves. Popular locations for the inflation valve are:
 - a. The wheel well flanges
 - b. The license plate recess in bumper
 - c. Under the gas cap access door
 - d. Through the license plate

NOTE

Whatever the chosen location, make sure there is enough clearance around the inflation valves for an air chuck.

2. Drill two 5/16" holes to install the inflation valves.
3. Cut the air line assembly in two equal lengths.

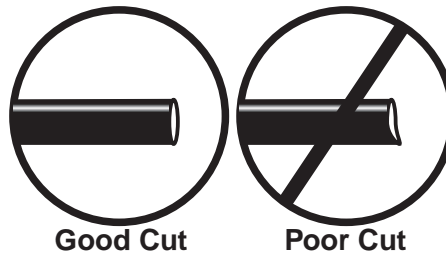


fig. 16

CAUTION

WHEN CUTTING OR TRIMMING THE AIR LINE, USE A HOSE CUTTER, A RAZOR BLADE, OR A SHARP KNIFE. A CLEAN, SQUARE CUT WILL ENSURE AGAINST LEAKS. DO NOT USE WIRE CUTTERS OR SCISSORS TO CUT THE AIR LINE. THESE TOOLS MAY FLATTEN OR CRIMP THE AIR LINE CAUSING IT TO LEAK AROUND THE O-RING SEAL INSIDE THE ELBOW FITTING (FIG. 16).

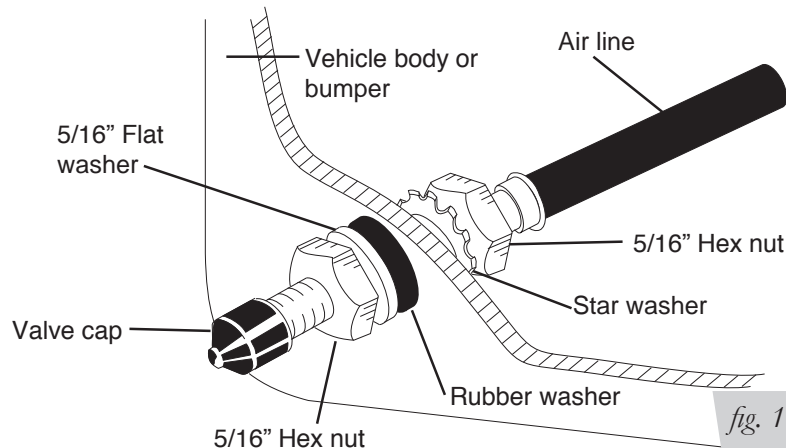


fig. 17

4. Place a 5/16" nut and star washer on the air valve. Leave enough of the inflation valve in front of the nut to extend through the hole and have room for the rubber washer, flat washer, and 5/16" nut and cap. There should be enough valve exposed after installation—approximately 1/2"— to easily apply a pressure gauge or an air chuck (fig. 17).
5. Push the inflation valve through the hole and use the rubber washer, flat washer, and another 5/16" nut to secure it in place. Tighten the nuts to secure the assembly.
6. Route the air line along the frame to the air fitting on the air spring (fig. 18). Keep AT LEAST 6" of clearance between the air line and heat sources, such as the exhaust pipes, muffler, or catalytic converter. Avoid sharp bends and edges. Use the plastic tie straps to secure the air line to fixed, non-moving points along the chassis. Be sure that the tie straps are tight, but do not pinch the air line. Leave at least 2" of slack to allow for any

movement that might pull on the air line.

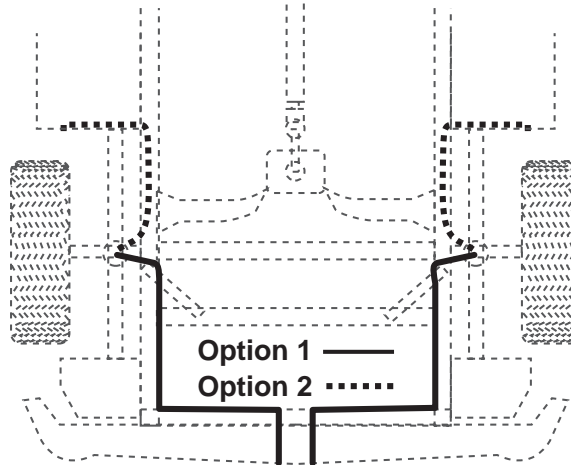


fig. 18

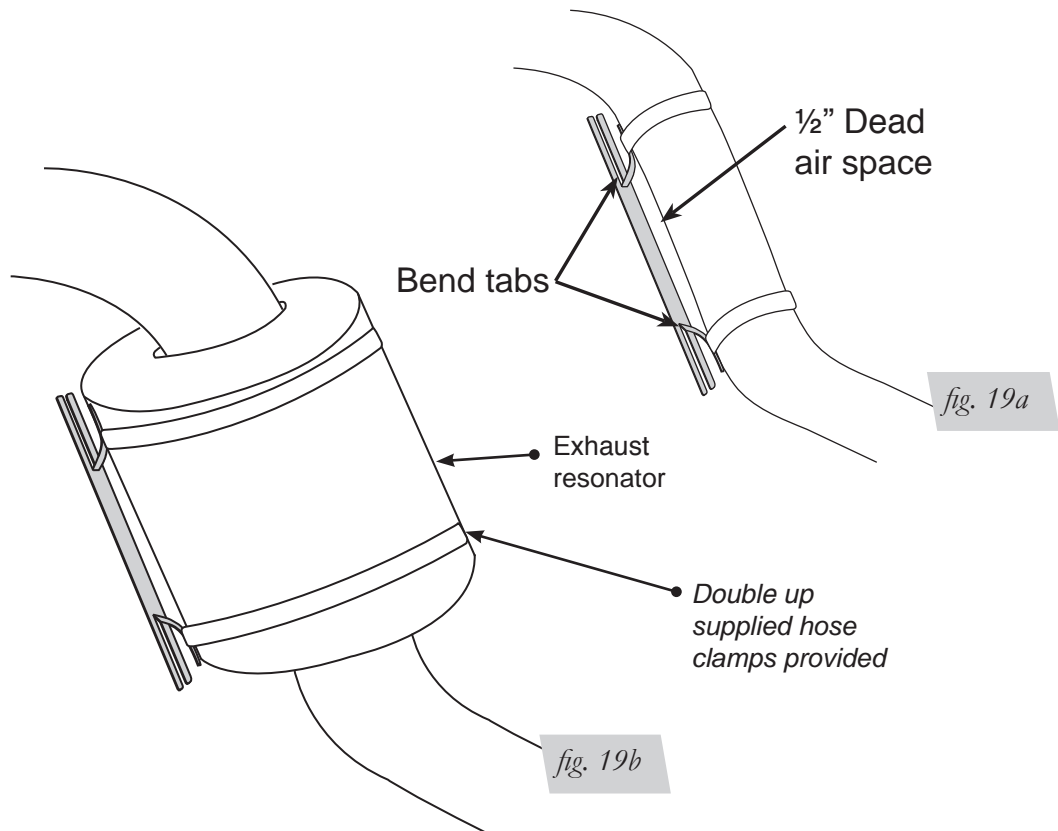
7. Cut off the air line, leaving approximately 12" of extra air line. A clean square cut will ensure against leaks. Insert the air line into the air fitting. This is a push-to-connect fitting. Simply push the air line into the 90° swivel fitting until it bottoms out (9/16" of air line should be in the fitting).

INSTALLING THE HEAT SHIELD

1. Bend tabs to provide a 1/2" dead air space between exhaust pipe and heat shield (fig. 19a).
2. Attach the heat shield to the exhaust pipe using the clamps. Bend the heat shield for maximum clearance to the air spring (fig. 19a).

NOTE

Some vehicles have large resonators in this area, it will be necessary to double up on the clamps to fit these models (fig. 19b).



CHECKING FOR LEAKS

1. Inflate the air spring to 30 PSI.
2. Spray all connections and the inflation valves with a solution of 1/5 liquid dish soap and 4/5 water. Spot leaks easily by looking for bubbles in the soapy water.
3. After the test, deflate the springs to the minimum pressure required to restore the system to normal ride height. Do not deflate to lower than 5 PSI.
4. Check the air pressure again after 24 hours. A 2 - 4 PSI loss after initial installation is normal. Retest for leaks if the loss is more than 5 lbs.

FIXING LEAKS

1. If there is a problem with the swivel fitting:
 - a. Check the air line connection by deflating the spring and removing the line by pulling the collar against the fitting and pulling firmly on the air line. Trim 1" off the end of the air line. Be sure the cut is clean and square (see fig. 16). Reinsert the air line into the push-to-connect fitting.
 - b. Check the threaded connection by tightening the swivel fitting another ½ turn. If it still leaks, deflate the air spring, remove the fitting, and re-coat the threads with thread sealant. Reinstall by hand tightening as much as possible and then use a wrench for an additional two turns.
2. If there is a problem with the inflation valve:
 - a. Check the valve core by tightening it with a valve core tool.
 - b. Check the air line by removing the air line from the barbed type fitting. Cut the air line off a few inches in front of the fitting and use a pair of pliers or vice grips to pull/twist the air line off of the fitting.

CAUTION

DO NOT CUT OFF THE AIR LINE COMPLETELY AS THIS WILL USUALLY NICK THE BARB AND RENDER THE FITTING USELESS.

3. If the preceding steps have not resolved the problem, call Air Lift customer service at (800) 248-0892.

Before Operating

INSTALLATION CHECKLIST (To be completed by installer)

- Clearance test — Inflate the air springs to 60 PSI and ensure there is at least ½” clearance around each bellow, away from anything that might rub against them. Be sure to check the tire, brake drum, frame, shock absorbers and brake cables.
- Leak test before road test — Inflate the air springs to 60 PSI, check all connections for leaks with a soapy water solution. See page 15 for tips on how to spot leaks. All leaks must be eliminated before the vehicle is road tested.
- Heat test — Be sure there is sufficient clearance from any heat sources — at least 6” for air springs and air lines. If a heat shield was included in the kit, install it. If there is no heat shield, but one is required, call (800) 248-0892.
- Fastener test — Recheck all bolts for proper torque. Axle clamp bar carriage bolt lock nuts should be torqued to 16 ft/lbs. Re-torque after 100 miles.
- Road test — The vehicle should be road tested after the preceding tests. Inflate the air springs to 25 PSI (50 PSI if the vehicle is loaded). Drive the vehicle 10 miles and recheck for clearance, loose fasteners and air leaks.
- Operating instructions — If professionally installed, the installer should review the Product Use, Maintenance and Servicing section on page 17 with the owner. Be sure to provide the owner with all of the paperwork which came with the kit.

Technician’s Signature _____

Date _____

POST-INSTALLATION CHECKLIST

- Overnight leak down test — Recheck air pressure after the vehicle has been used for 24 hours. If the pressure has dropped more than 5 PSI, then there is a leak that must be fixed. Either fix the leak yourself or return to the installer for service.
- Air pressure requirements — I understand the air pressure requirements of my air spring system. Regardless of load, the air pressure should always be adjusted to maintain ride height at all times.
- Thirty day or 500 mile test — I understand that I must recheck the air spring system after 30 days or 500 miles, whichever comes first. If any part shows signs of rubbing or abrasion, the source should be identified and moved, if possible. If it is not possible to relocate the cause of the abrasion, the air spring may need to be remounted. If professionally installed, the installer should be consulted. Check all fasteners for tightness.

Product Use, Maintenance and Servicing

Suggested Driving Pressure	Maximum Air Pressure
5 PSI	100 PSI
FAILURE TO MAINTAIN CORRECT MINIMUM PRESSURE (OR PRESSURE PROPORTIONAL TO LOAD), BOTTOMING OUT, OVER-EXTENSION OR RUBBING AGAINST ANOTHER COMPONENT WILL VOID THE WARRANTY.	

MAINTENANCE GUIDELINES

NOTE

By following the steps below, vehicle owners will obtain the longest life and best results from their air springs.

1. Check the air pressure weekly.
2. Always maintain normal ride height. Never inflate beyond 100 PSI.
3. If you develop an air leak in the system, use a soapy water solution (1/5 liquid dish soap and 4/5 water) to check all air line connections and the inflation valve core before deflating and removing the air spring.

CAUTION

FOR YOUR SAFETY AND TO PREVENT POSSIBLE DAMAGE TO YOUR VEHICLE, DO NOT EXCEED MAXIMUM GROSS VEHICLE WEIGHT RATING (GVWR), AS INDICATED BY THE VEHICLE MANUFACTURER. ALTHOUGH YOUR AIR SPRINGS ARE RATED AT A MAXIMUM INFLATION PRESSURE OF 100 P.S.I., THE AIR PRESSURE ACTUALLY NEEDED IS DEPENDANT ON YOUR LOAD AND GVWR.

4. Loaded vehicles require at least 25 PSI or more. A “loaded vehicle” refers to a vehicle with a heavy bed load, a trailer, or both. As discussed above, never exceed GVWR, regardless of air spring, air pressure, or other load assist. The springs in this kit will support approximately 40 lbs. of load (combined on both springs) for each 1 PSI of pressure. The required air pressure will vary depending on the state of the original suspension. Operating the vehicle below the minimum air spring pressure will void the Air Lift warranty.
5. When increasing load, always adjust the air pressure to maintain the normal ride height. Increase or decrease pressure from the system as necessary to attain normal ride height for optimal ride and handling. Remember that loads carried behind the axle (including tongue loads) require more leveling force (pressure) than those carried directly over the axle.
6. Always add air to springs in small quantities, checking the pressure frequently.
7. Should it become necessary to raise the vehicle by the frame, make sure the system is at minimum pressure (5 PSI) to reduce the tension on the suspension/brake components. Use of on board leveling systems do not require deflation or disconnection.
8. Periodically check the air spring system fasteners for tightness. Also, check the air springs for any signs of rubbing. Realign if necessary.
9. On occasion, give the air springs a hard spray with a garden hose in order to remove mud, sand, gravel or other abrasive debris.

Troubleshooting Guide

1. Leak test the air line connections, the threaded connection into the air spring, and all fittings in the control system.
2. Inspect the air lines to be sure none are pinched. Tie straps may be too tight. Loosen or replace the strap and replace leaking components.
3. Inspect the air line for holes and cracks. Replace as needed.
4. Look for a kink or fold in the air line. Reroute as needed.

If the preceding steps do not solve the problem, it is possibly caused by a failed air spring — either a factory defect or an operating problem. Please call Air Lift at (800) 248-0892 for assistance.

Frequently Asked Questions

Q. Will installing air springs increase the weight ratings of a vehicle?

No. Adding air springs will not change the weight ratings (GAWR, GCWR and/or GVWR) of a vehicle. Exceeding the GVWR is dangerous and voids the Air Lift warranty.

Q. Is it necessary to keep air in the air springs at all times and how much pressure will they need?

The minimum air pressure should be maintained at all times. The minimum air pressure keeps the air spring in shape, ensuring that it will move throughout its travel without rubbing or wearing on itself.

Q. Is it necessary to add a compressor system to the air springs?

No. Air pressure can be adjusted with any type of compressor as long as it can produce sufficient pressure to service the springs. Even a bicycle tire pump can be used, but it's a lot of work.

Q. How long should air springs last?

If the air springs are properly installed and maintained they can last indefinitely.

Q. Will raising the vehicle on a hoist for service work damage the air springs?

No. The vehicle can be lifted on a hoist for short-term service work such as tire rotation or oil changes. However, if the vehicle will be on the hoist for a prolonged period of time, support the axle with jack stands in order to take the tension off of the air springs.

Tuning the Air Pressure

Pressure determination comes down to three things — level vehicle, ride comfort, and stability.

1. Level vehicle

If the vehicle's headlights are shining into the trees or the vehicle is leaning to one side, then it is not level (fig. 20). Raise the air pressure to correct either of these problems and level the vehicle.

2. Ride comfort

If the vehicle has a rough or harsh ride it may be due to either too much pressure or not enough (fig. 21). Try different pressures to determine the best ride comfort.

3. Stability

Stability translates into safety and should be the priority, meaning the driver may need to sacrifice a perfectly level and comfortable ride. Stability issues include roll control, bounce, dive during braking and sponginess (fig. 22). Tuning out these problems usually requires an increase in pressure.



fig. 20



fig. 21



fig. 22

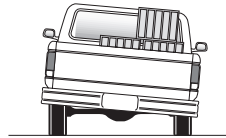
Guidelines for Adding Air

1. Start with the vehicle level or slightly above.
2. When in doubt, always add air.
3. For motorhomes, start with 50-100 PSI in the rear because it can be safely assumed that it is heavily loaded.
4. If the front of the vehicle dives while braking, increase the pressure in the front air bags, if equipped.
5. If it is ever suspected that the air bags have bottomed out, increase the pressure (fig. 23).
6. Adjust the pressure up and down to find the best ride.
7. If the vehicle rocks and rolls, adjust the air pressure to reduce movement.
8. It may be necessary to maintain different pressures on each side of the vehicle. Loads such as water, fuel, and appliances will cause the vehicle to be heavier on one side (fig. 24). As much as a 50 PSI difference is not uncommon.

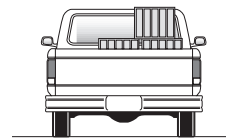


Bottoming out

fig. 23



Unlevel



Level

fig. 24



Warranty and Returns Policy

Air Lift Company warrants its products, for the time periods listed below, to the original retail purchaser against manufacturing defects when used on catalog-listed applications on cars, vans, light trucks and motorhomes under normal operating conditions for as long as Air Lift manufactures the product. The warranty does not apply to products that have been improperly applied, improperly installed, used in racing or off-road applications, used for commercial purposes, or which have not been maintained in accordance with installation instructions furnished with all products. The consumer will be responsible for removing (labor charges) the defective product from the vehicle and returning it, transportation costs prepaid, to the dealer from which it was purchased or to Air Lift Company for verification.

Air Lift will repair or replace, at its option, defective products or components. A minimum \$10.00 shipping and handling charge will apply to all warranty claims. Before returning any defective product, you must call Air Lift at (800) 248-0892 in the U.S. and Canada (elsewhere, (517) 322-2144) for a Returned Materials Authorization (RMA) number. Returns to Air Lift can be sent to: Air Lift Company • 2727 Snow Road • Lansing, MI • 48917.

Product failures resulting from abnormal use or misuse are excluded from this warranty. The loss of use of the product, loss of time, inconvenience, commercial loss or consequential damages is not covered. The consumer is responsible for installation/reinstallation (labor charges) of the product. Air Lift Company reserves the right to change the design of any product without assuming any obligation to modify any product previously manufactured.

This warranty gives you specific legal rights and you may also have other rights that vary from state-to-state. Some states do not allow limitations on how long an implied warranty lasts or allow the exclusion or limitation of incidental or consequential damages. The above limitation or exclusion may not apply to you. There are no warranties, expressed or implied including any implied warranties of merchantability and fitness, which extend beyond this warranty period. There are no warranties that extend beyond the description on the face hereof. Seller disclaims the implied warranty of merchantability. (Dated proof of purchase required.)

Air Lift 1000	Lifetime Limited	LoadController/Dual	2 Year Limited
RideControl	Lifetime Limited	Load Controller (I)	2 Year Limited
LoadLifter 5000*	Lifetime Limited	Load Controller (II)	2 Year Limited
SlamAir	Lifetime Limited	SmartAir	2 Year Limited
AirCell	Lifetime Limited	Wireless AIR	2 Year Limited
Air Lift Performance**	1 Year Limited	WirelessONE	2 Year Limited
LoadController/Single	2 Year Limited	Other Accessories	2 Year Limited

**formerly SuperDuty
**formerly LifeStyle & Performance*

Replacement Information

If you need replacement parts, contact the local dealer or call Air Lift customer service at (800) 248-0892. Most parts are immediately available and can be shipped the same day.

Contact Air Lift Company customer service at (800) 248-0892, first if:

- Parts are missing from the kit.
- Need technical assistance on installation or operation.
- Broken or defective parts in the kit.
- Wrong parts in the kit.
- Have a warranty claim or question.

Contact the retailer where the kit was purchased:

- If it is necessary to return or exchange the kit for any reason.
- If there is a problem with shipping if shipped from the retailer.
- If there is a problem with the price.

Contact Information

If you have any questions, comments or need technical assistance, contact our customer service department by calling (800) 248-0892, Monday through Friday, 8 a.m. to 7 p.m. Eastern Time. For calls from outside the USA or Canada, our local number is (517) 322-2144.

For inquiries by mail, our address is PO Box 80167, Lansing, MI 48908-0167. Our shipping address for returns is 2727 Snow Road, Lansing, MI 48917.

You may also contact us anytime by e-mail at sales@airliftcompany.com or on the web at www.airliftcompany.com.

Need Help?

Contact our customer service department by calling (800) 248-0892, Monday through Friday, 8 a.m. to 7 p.m. Eastern Time. For calls from outside the USA or Canada, our local number is (517) 322-2144.

**Register your warranty online at
www.airliftcompany.com/warranty**



Thank you for purchasing Air Lift products — the professional installer's choice!

Air Lift Company • 2727 Snow Road • Lansing, MI 48917 or PO Box 80167 • Lansing, MI 48908-0167
Toll Free (800) 248-0892 • Local (517) 322-2144 • Fax (517) 322-0240 • www.airliftcompany.com

Printed in
the USA