



Installation Instructions
Part Number 100-252
Performance Airbox for F Body
Camaro and Firebird
Driver Side

Packing List:

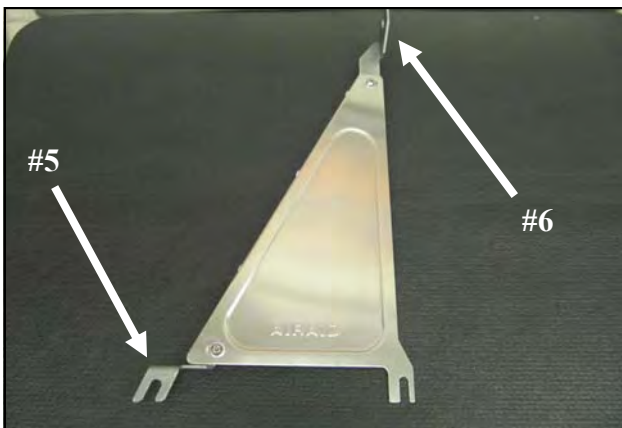
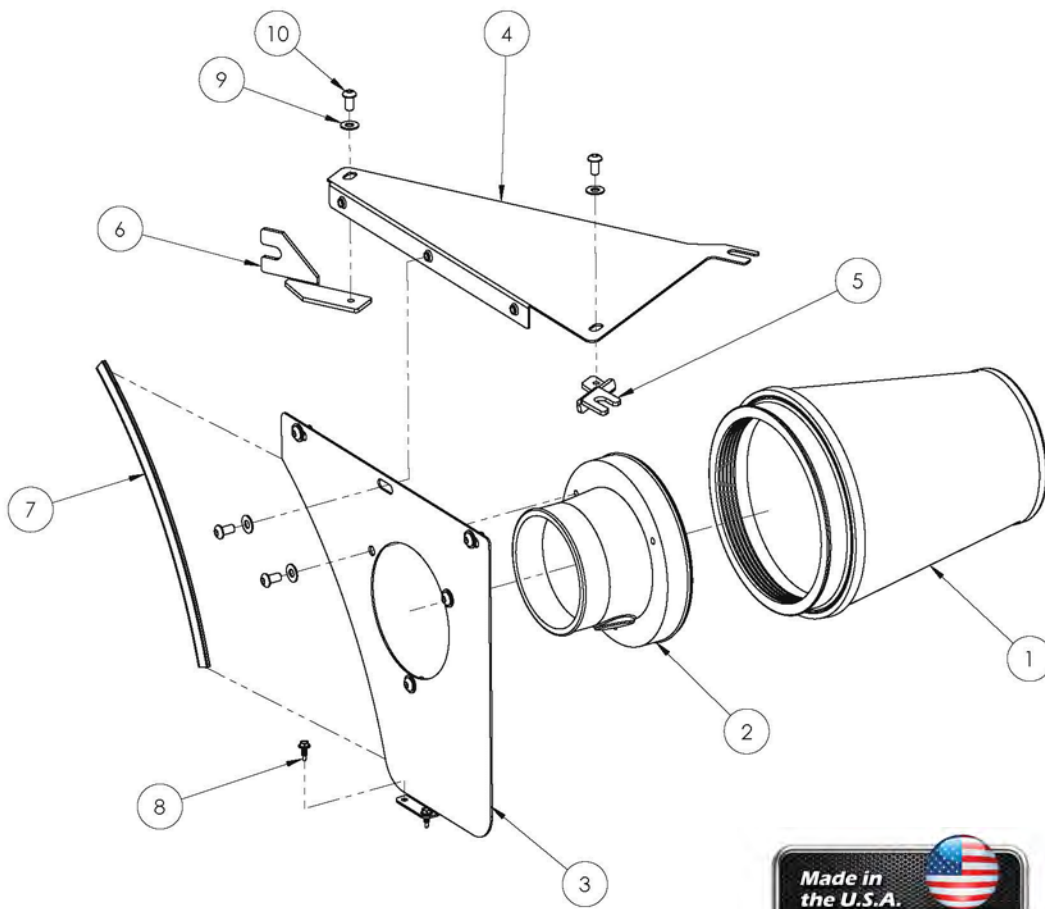
#1	700-461	Airaid Premium Filter	1
#2	KIT640A	4" Filter Adapter	1
#3	KITFDDAM	Air Dam	1
#4	KITFDLID	Top Panel	1
	KIT100252HP	Hardware & Instructions	1
#5	-KITFDCSB	Core Support Bracket	x1
#6	-KITDFB	Fender Bracket	x1
#7	-KITX1011	Weatherstrip 12"	x1
#8	-KIT13SDHTZ016	Self Drilling Screw	x2
#9	-KIT09FWZ019	1/4" Flat Washer	x8
#10	-KIT15DHC3050	1/4-20 Button Head Bolt	x8

Tools Required For Installation:

5/32" Allen Wrench
 8, 10, and 13mm Sockets
 Ratchet & Extension, Pliers, and
 Standard and Phillips Head Screwdrivers

NOTE This is not a complete kit. It is a component intended to be used in conjunction with Additional Airaid UBI components.

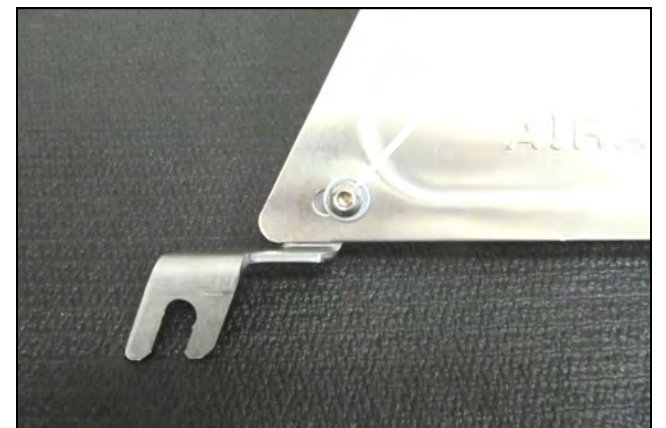
Full color instructions can be viewed on our web site at [Airaid.com](http://www.airaid.com). Use the **Product Search** function to find your part number, and click **View Details** or go to <http://www.airaid.com/InstallationPDF/100-252.pdf>



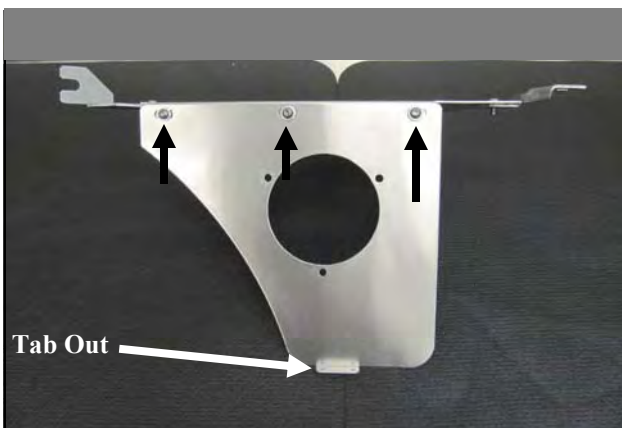
1. Remove the protective film from the sheet metal. Create the Top Panel assembly by installing the two Brackets on to the Top Panel (#4). Install the hardware finger tight to allow for final adjustment.



2. Install the Fender Bracket (#6) as shown using one 1/4-20 Button Head Bolt (#10), and one 1/4" Flat Washer (#9).



3. Install the Core support Bracket (#5) as shown using one 1/4-20 Button Head Bolt (#10), and one 1/4" Flat Washer (#9).



4. Install the Air Dam (#3) onto the Top Panel assembly three 1/4-20 Button Head Bolts and 1/4" washers. Install the hardware finger tight to allow for final adjustment.



5. Install the Filter Adapter (#2) onto the Air Dam using three remaining sets of 1/4-20 hardware.



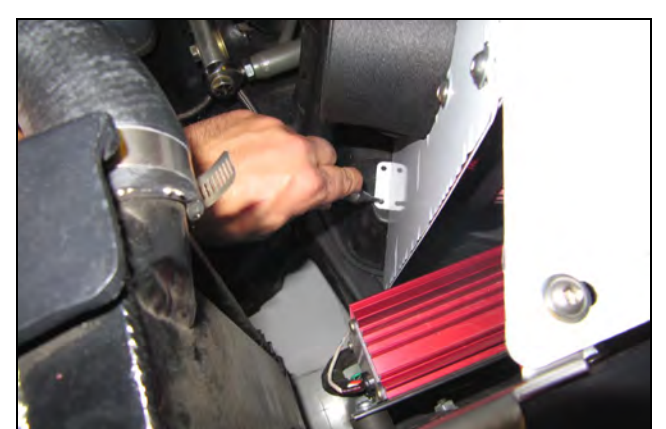
6. Install the Airaid Premium Filter onto the Adapter as shown.



7. Remove the fender brace and the rear fender bolt on the core support.



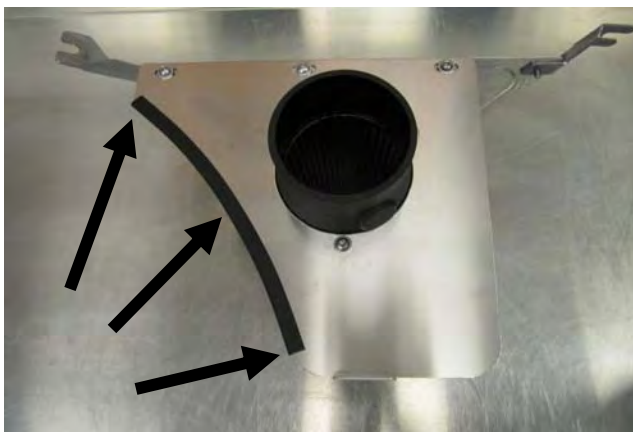
8. Position the airbox assembly into the inner fender area. Check for clearance and adjust the panels and brackets for fit, and tighten all hardware, final tight.



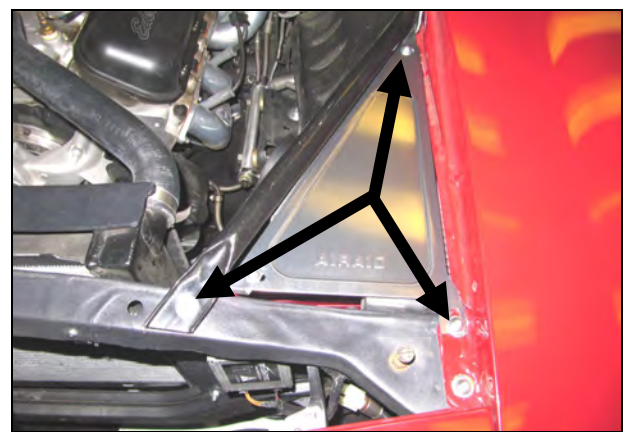
9. Using a spring loaded punch, mark inner fender where the holes will be drilled for the Aid Dam tab.



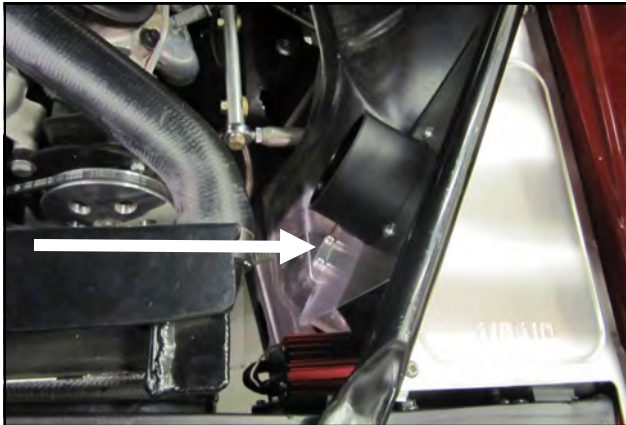
10. Drill 1/8" pilot holes into the inner fender.



11. Install the Weatherstrip (#7) onto the Airdam



12. Install the assembly into the inner fender. Reinstall the fender support on top of the Airaid brackets and secure using the factory hardware. Reinstall the fender bolt removed in step 7.

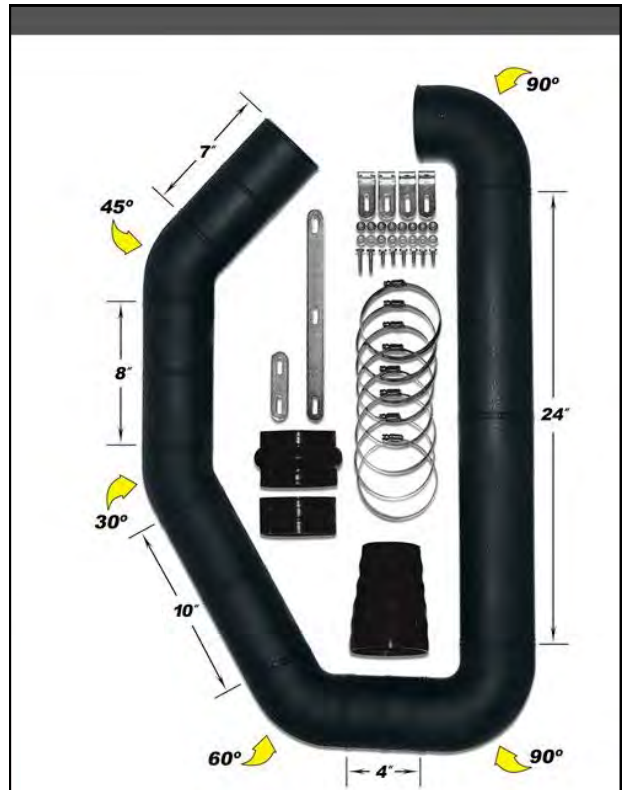


13. Secure the Air Dam tab to the inner fender using the two Self drilling screws (#8).

14. Connect the performance airbox assembly to your throttle body or carburetor by using any combination of Airaid's UBI components.

PN 100-300	3.0" UBI Tube Only
PN 100-350	3.5" UBI Tube Only
PN 100-400	4.0" UBI Tube Only

Go to www.airaid.com for a complete list of components for a custom install.



UBI intake kits consist of multiple angles and straights, which you cut as desired. Thousands of intake variations are possible! Available separately, as tubes only, or individual components including; couplers, clamps, brackets and hardware.



Thank you for purchasing the Airaid UBI System. Contact Airaid @ (800) 498-6951 8:00 AM - 5:00 PM MST weekdays for questions regarding fit or instructions that are not clear to you. Your Airaid UBI System was carefully inspected and packaged. Check that no parts are missing, or were damaged during shipping. If any parts are missing, contact Airaid. The air filter element is protected from direct exposure to water and debris; care should be taken not to drive through deep water. WATER INGESTION IS THE DRIVERS RESPONSIBILITY! The air filter is reusable and should be cleaned using the Airaid Filter Tune-Up Kit periodically.



Don't Forget Your AIRAID Filter Tune-Up Kit!

P/N 790-551 Aerosol Spray
P/N 790-550 Squeeze Spray

Instructions Revision
Date: 04/09/12