

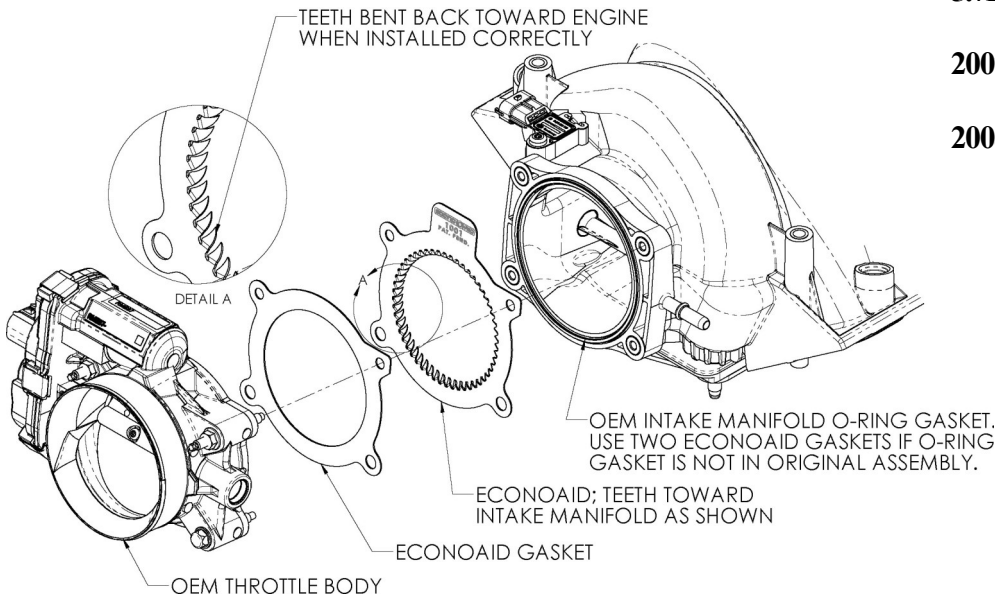


# Part Number 1014

2007-2015 Toyota Tundra/Sequoia  
5.7L V8

2007-2014 Toyota Tundra 4.6L V8

2008-2012 Toyota Sequoia 4.6L V8



### Tools Required For Installation

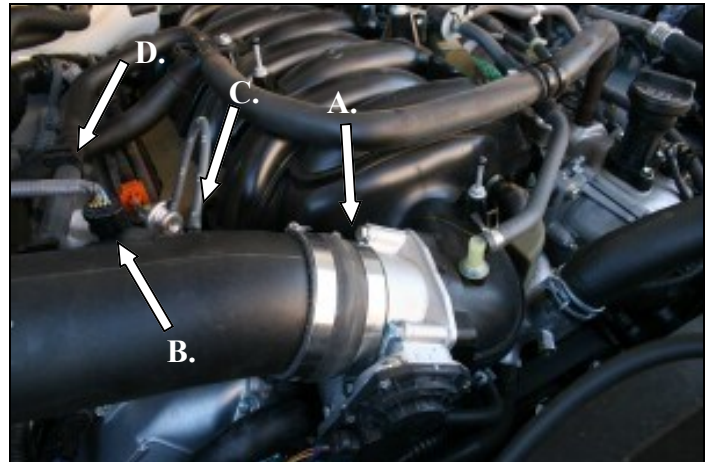
5/16", 10mm Socket  
Ratchet and Extension

### Parts List

#1	ECONOAID	x1
#2	Gasket	x1

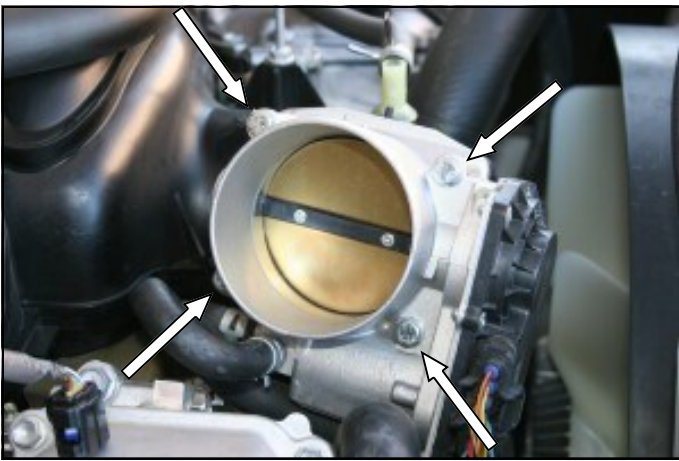
Thank you for purchasing the ECONOAID Throttlebody Booster. Please read the instruction manual carefully before proceeding with the installation. Contact ECONOAID @ (888) 876-4676 8:00 AM - 5:00 PM MST Weekdays for questions regarding fit or instructions that are not clear to you. Your ECONOAID Throttlebody Booster was carefully inspected and packaged. Check that no parts are missing, or were damaged during shipping. If any parts are missing, please contact ECONOAID.

U.S. Pat. #7,665,442

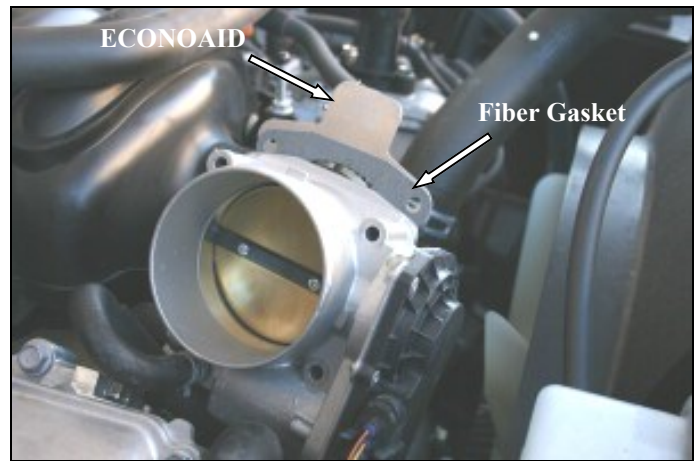


1. **Disconnect the negative battery cable!**  
Lift up on the front of the engine beauty cover, and then remove it from the vehicle.

2. **A.)** Loosen two hose clamps, one at the air box, and one at the throttlebody. **B.)** Squeeze the tab on the electrical connector and disconnect it from the Mass Air Sensor. **C.)** Disconnect the 1/8" vacuum line from the air intake tube. **D.)** Disconnect the crankcase breather hose from the intake tube. Remove the air intake tube from the vehicle.



3. Remove the four bolts that hold the throttlebody to the intake manifold.



4. Install the ECONOAID Throttlebody Booster against the intake manifold with the logo facing the throttlebody. Next install the supplied gasket between the ECONOAID and the throttlebody.



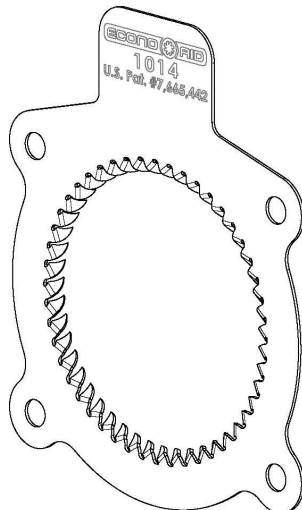
5. Reinstall the factory bolts and tighten them in a cross pattern to the manufacturer's specifications. Before starting the engine, open and close the throttlebody to make sure there are no obstructions.



6. Reinstall the air intake tube and reconnect the hoses and electrical connectors. Tighten all hose clamps. Reinstall the beauty cover.

7. Double check your work. Make sure there is no foreign material in the intake tract. Make sure all clamps, hoses, connectors, nuts, and bolts are secure.

**Reconnect the negative battery cable.**



Instructions Revision  
12.09.14