

# AIR AID®

## INTAKE SYSTEMS

**Installation Instructions**  
**Part Number 200-183**  
**2003 - 2009 Hummer H2**  
**2005 - 2009 Hummer SUT**  
**6.0L/6.2L V-8**

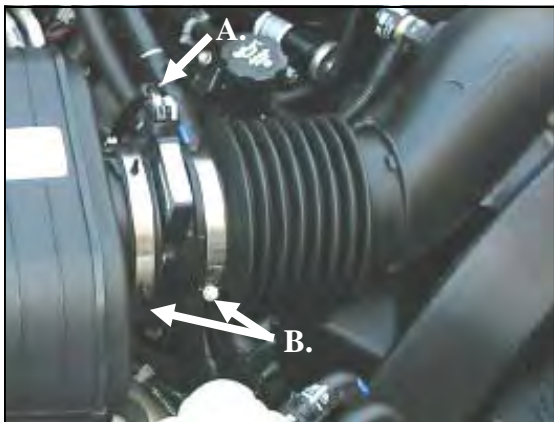
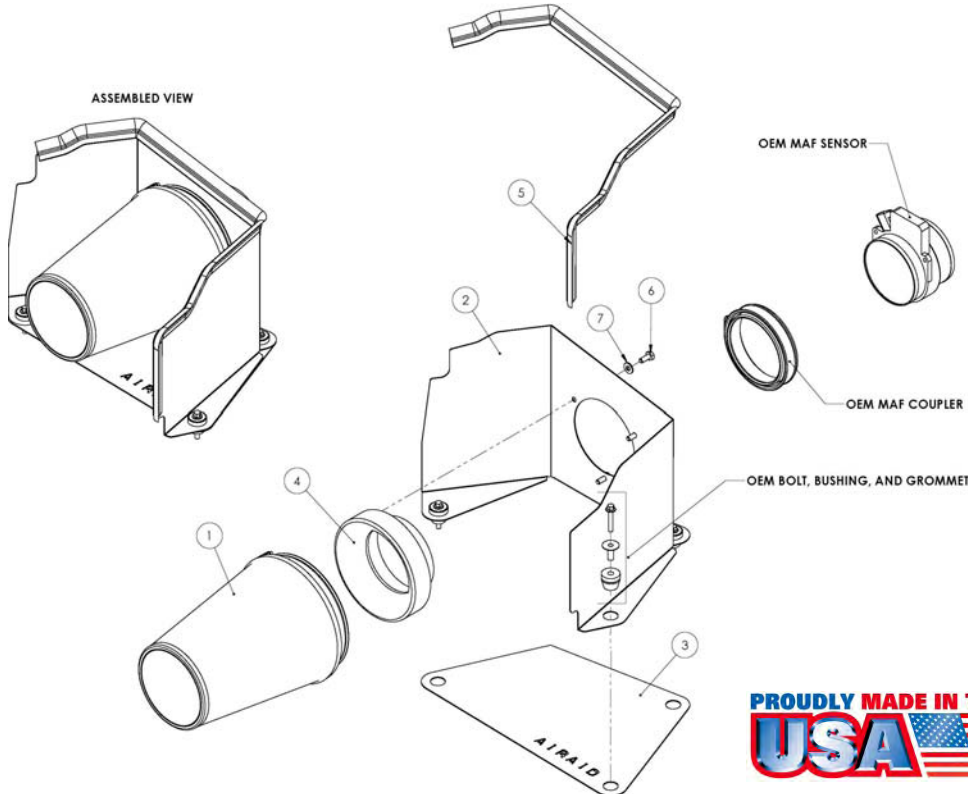
### Packing List:

#1	700-469	Airaid Premium Filter	1
#2	KIT182MAFSC	MAF Panel Coated	1
#3	KIT182BPC	Bottom Panel Coated	1
#4	KIT1121MAFADA	Filter Adapter	1
#5	KITWSTRIP02	Weather Strip 25"	1
	KIT183HP	Hardware & Instruction	1
#6	KIT25C62HCSS	1/4-20 x 5/8" Bolt	3
#7	KIT09FWZ019	1/4" Flat Washer	3

### Tools Required For Installation:

10mm Socket  
 Ratchet & Extension  
 Flat Blade Screwdriver

**C.A.R.B. E.O. Number Applies Only To  
 Listed Vehicles Up Thru 2008 Models  
 All Others Pending**



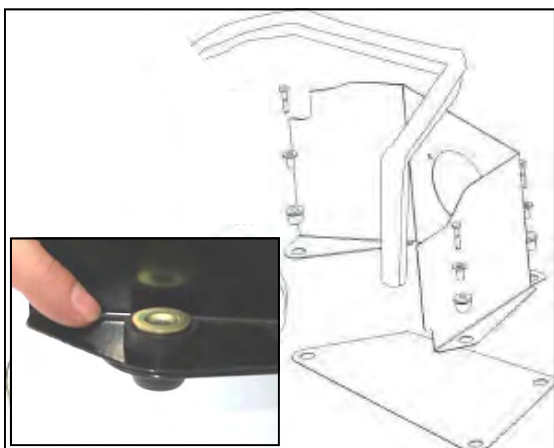
**1. Disconnect the negative battery cable.**  
 A.) Disconnect the Mass Air Flow (MAF) sensor wiring harness.  
 B.) Loosen the two hose clamps on the MAF sensor and remove it.



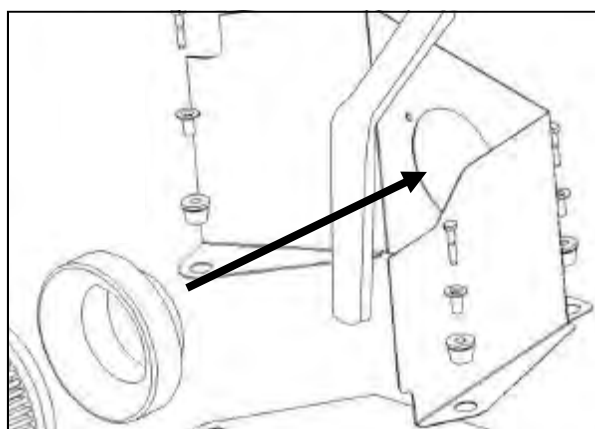
**2.** Using a 10mm socket, remove the three bolts that secure the factory airbox to the inner fender (save for reuse).



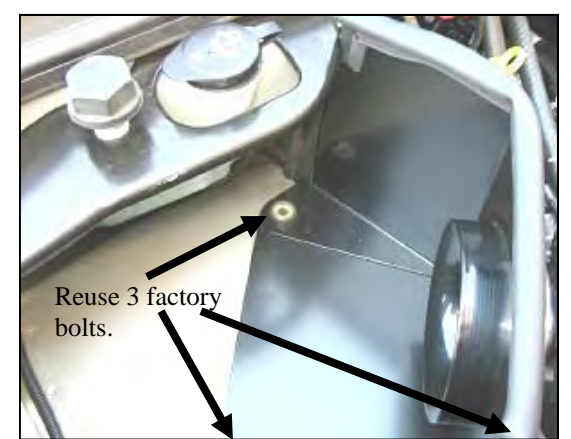
**3.** Remove the factory airbox and set it aside. Using a flat blade screwdriver, remove and save the three factory rubber grommets and inserts from the airbox base.



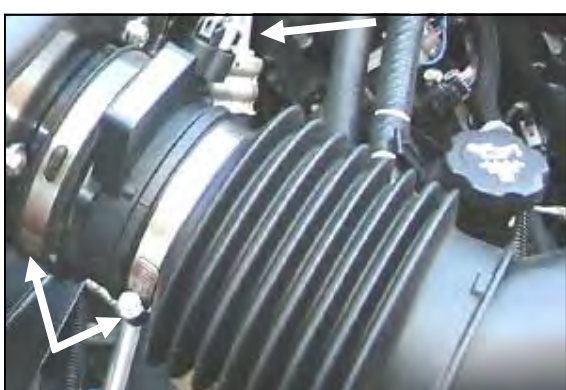
**4.** Assemble the Airaid Cool Air Dam panels (#2, #3) using the factory rubber grommets and inserts as shown.



**5.** Install the filter adapter (#4) into the Airaid Cool Air Dam using three 1/4-20 x 5/8" bolts (#6), and 1/4" flat washers (#7).



**6.** Install the Airaid Cool Air Dam over the three factory mounting points, and fasten with the factory bolts saved in step #2.



**7.** Slide the MAF sensor onto the filter adapter and tighten the clamp. Slide the factory intake tube onto the other side of the MAF sensor, and tighten the clamp. Reconnect the MAF sensor wiring harness.



**8.** Install the Airaid Premium Filter (#1) onto the filter adapter, and tighten the hose clamp. Install the provided weather strip (#5) onto the top edge of the panel. (Hint: Start at one end, and work to the other.)



**9.** Congratulations on installing your new intake system! See the back of this page for further instructions.

## 10. Double check your work!

Make sure there is no foreign material in the intake path. Make sure all clamps, hoses, bolts, and screws are tight.

## 11. Reconnect the negative battery cable!

Included with your Airaid Intake System is a sticker with a California Air Resources Board (C.A.R.B.) Executive Order (EO) number. This sticker must be placed in plain view inside of the engine compartment. Failure to do so may prevent you from passing a smog inspection.

*Before!*



*After!*



Thank you for purchasing the Airaid Intake System. Contact Airaid @ (800) 498-6951 8:00 AM - 5:00 PM MST weekdays for questions regarding fit or instructions that are not clear to you. Your Airaid Intake System was carefully inspected and packaged. Check that no parts are missing, or were damaged during shipping. If any parts are missing, contact Airaid. The air filter element is protected from direct exposure to water and debris; care should be taken not to drive through deep water. WATER INGESTION IS THE DRIVERS RESPONSIBILITY! The air filter is reusable and should be cleaned using the Airaid Filter Tune-Up Kit periodically.

## Don't Forget Your AIRAID Filter Tune-Up Kit!



P/N 790-551 Aerosol Spray  
P/N 790-550 Squeeze Spray

Instructions Revision  
Date: 11/07/08