

# AIRAID®

## INTAKE SYSTEMS

### #311-110 INSTALLATION INSTRUCTIONS

### 1997-2002 Jeep TJ 2.5L & 1997-2004 Jeep TJ 4.0L (Does Not Fit 2.4L)

Thank you for purchasing the Airaid Intake System. Please read the instruction manual carefully before proceeding with the installation. Contact Airaid @ (800) 498-6951 8:00 AM - 5:00 PM MST Weekdays for questions regarding fit or instructions that are not clear to you. Your Airaid Intake System was carefully inspected and packaged. Check that no parts are missing, or were damaged during shipping. If any parts are missing, contact Airaid. The air filter element is protected from direct exposure to water and debris; care should be taken not to drive through deep water. WATER INGESTION IS THE DRIVERS RESPONSIBILITY!

*Thank you for selecting Airaid.*



#### Packing List:

701-421	Filter 3.5"x 9" Short Flange	1
KIT110S	Splash Guard	1
KIT110TAC	Tube Assembly	1
KIT110A	Adapter Tube	x1
KIT25C50HCSS	Bolt 1/4-20x1/2"	x2
KIT110FB	Long Bracket	x1
KIT110RB	Short Bracket	x1
KIT09FWZ019	1/4" Washer	x2
KIT110HPS	Hardware Pack	1
KIT110T	Nylon Wire Tie	x1
KIT09FWZ019	1/4" Washer	x8
KIT25C62HCSS	Bolt 1/4-20x5/8"	x4
KIT25CNNES	Nut 1/4 -20	x4

#### Tools Required for this Installation:

Ratchet wrench  
11 mm socket or wrench  
10 mm socket or wrench  
8 mm wrench  
5/16" socket or nut driver  
7/16" socket  
7/16" wrench  
Flat blade screwdriver  
Pliers



# Installation Instructions. Read Me!

## I DISCONNECT NEGATIVE (-) BATTERY CABLE.

## II Remove air filter housing.

- Loosen intake tube hose clamp at the air box lid. Separate from lid. **FIG #1**
- Unclip the air box lid. Remove and set aside the lid and filter.
- From underneath the fender, use a 10mm ratchet to remove the 3 (three) nuts that secure the air box base.  
**\*Note:** Unscrew the nuts from underneath and use an 8mm wrench to keep the top bolts from turning. **FIG #2**

## III Assemble Airaid Tube

- Bolt the two brackets to the Airaid tube using the shorter 1/4-20x1/2" bolts and washers. **See FIG #3**  
**Do not tighten yet.**
- The longer bracket attaches to the front mount point.

## IV Install Airaid Tube

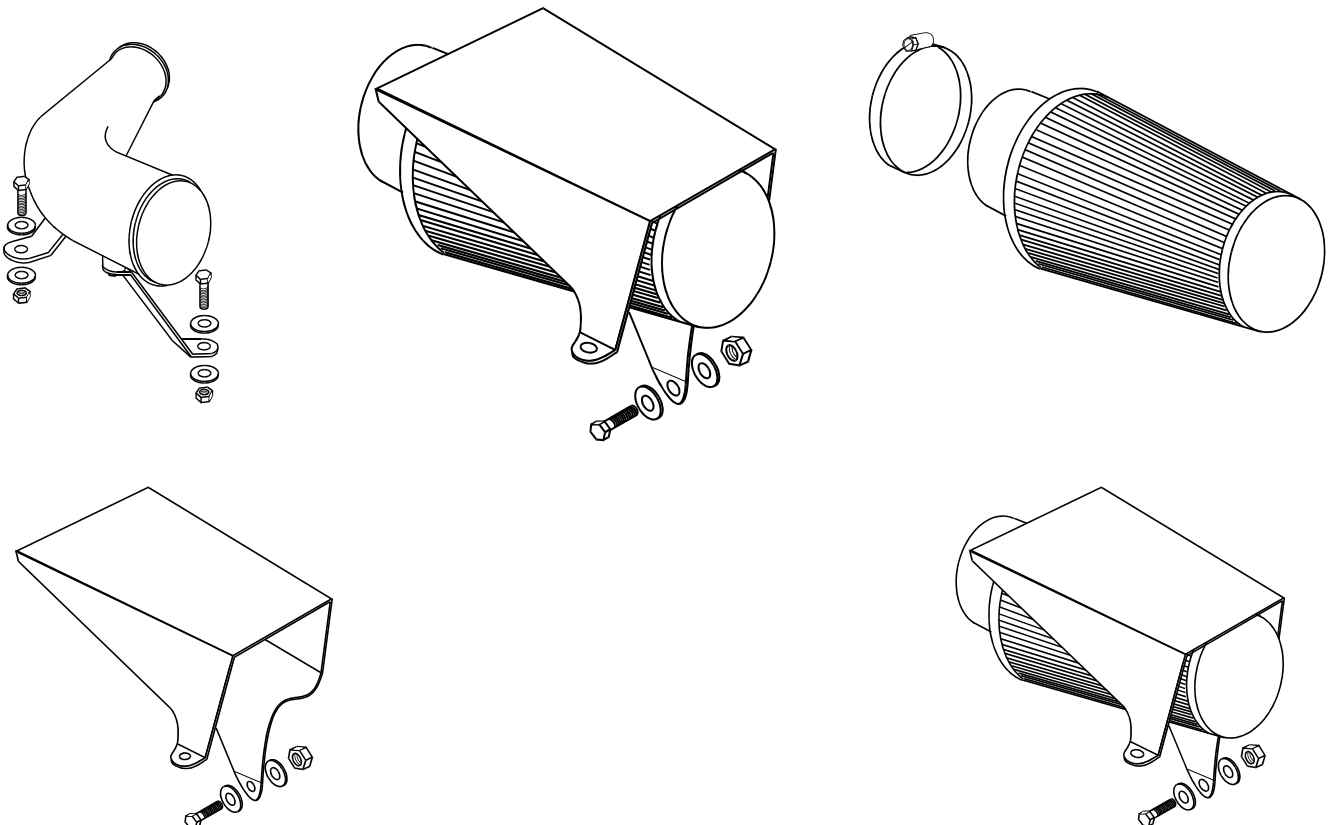
- Position tube in place of air box. **See FIG #4**
- Locate and adjust Airaid brackets over the original air box mounting holes. Insert a 1/4-20x5/8" bolt and flat washer. Into each mounting bracket.
- On the opposite side, secure to the fender with a flat washer and nut.

## V Install "Splash Shield"

- Locate and test fit the mounting points. Remove the existing plastic fastener for the inside mount. **See FIG #5** - Then fasten the shield with 1/4-20x5/8 bolts and washers.
- Tie Wrap is optional. Press into hole on the top rear of splash shield. Fasten to radiator strut rod.

## VI Finishing up Airaid Installation.

- Check for any foreign objects in the airflow path.
- Reconnect battery cable. Double-check your work.
- After one week of driving, check hardware and filter for tightness.



**Figure # 1**



**Figure # 2**



**Figure # 3**



**Figure # 4**



**Figure # 5**



**Figure # 6**



# *SynthaMax*<sup>®</sup>

## **Do Not Oil**

**Synthamax Air Filters do not require oil. Service air filter as needed by cleaning with common non-petroleum all-purpose household cleaner and water. Simple Green<sup>®</sup>, Formula 409<sup>®</sup> or equivalent works great. Apply cleaner to outside of air filter and allow to soak. Then flush filter clean from the inside out with a garden hose and repeat steps if necessary. Do not apply high pressure water or air to clean filter. Allow filter to air dry and reinstall.**

Rev: 10/25/10