

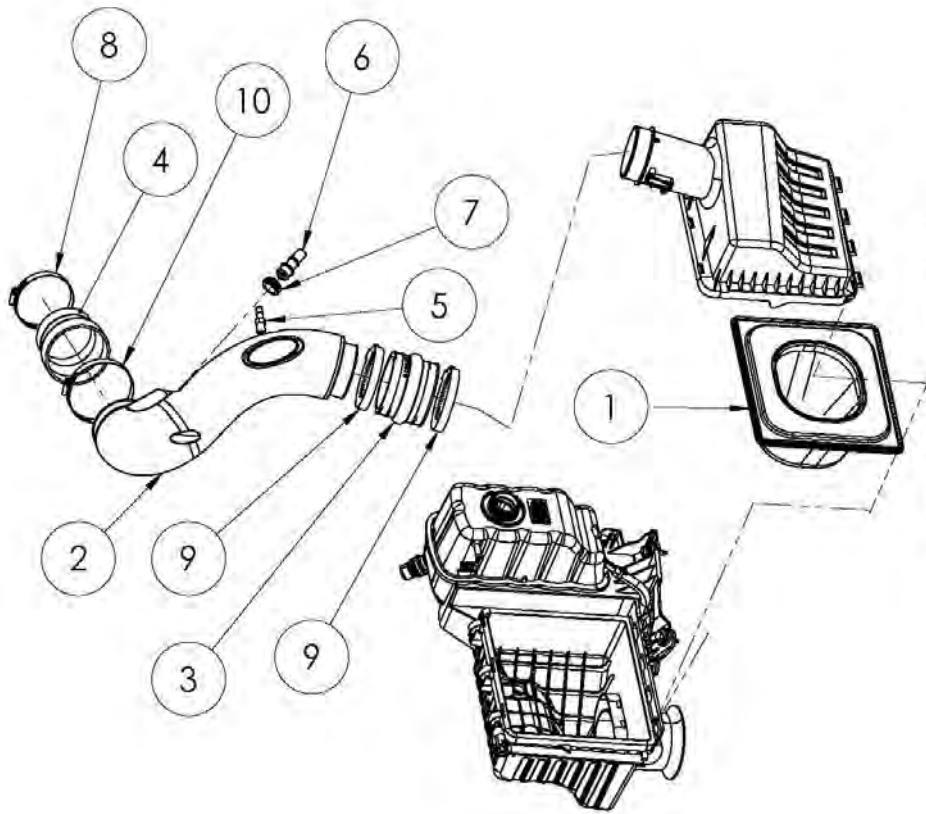


Installation Instructions

For Part Numbers:

400-799	860-397 Airaid Oiled Media Filter
401-799	861-397 SynthaMax Dry Media Filter - Red
402-799	862-397 SynthaMax Dry Media Filter - Black
403-799	863-397 SynthaMax Dry Media Filter - Blue

2011-13 Ford F-150
5.0L V8



Component Identification

1.	Airaid Premium Filter	1
2.	Airaid Intake Tube	1
3.	Hump Hose	1
4.	Silicone Coupler	1
5.	1/4NPT to 3/8" Hose Fitting	1
6.	PCV FITTING	1
7.	GROMMET	1
8.	#56 Hose Clamp	1
9.	#60 Hose Clamp	2
10.	#64 Hose Clamp	1

Full color instructions can be viewed on our web site at Airaid.com. Use the **Product Search** function to find your part number, and click **View Details**.



1. Disconnect The Negative Battery Terminal!



2. A. Disconnect the two breather lines in the factory intake tube.
B. Loosen the two intake clamps, and remove the factory intake tube.



3. Unfasten the three clips on the left side of the factory airbox, and remove the upper half of the factory airbox. Remove the factory air filter element.



4. Install The Airaid Premium Filter (#1) into the airbox.



5. Reinstall the airbox upper half.



6. A.) Install the 3/8 " Barbed Fitting (#5) into the threaded holt in the Intake Tube.
B.) Insert the 5/8" Grommet (#7) into the Intake tube as shown. Complete the tube assembly by inserting the 5/8 PCV Fitting (#6) into the Grommet.



7. Install the hump hose (#3) and two #60 hose clamps (#9) onto the Intake Tube as shown. Leave the hose Clamps loose for now.



8. Install the Silicone Reducer (#4) and Hose clamps onto the Airaid Intake Tube. Place the #56 Clamp (#18) on the throttle body side of the Reducer, and the #64 Clamp (#9) on to the Tube side.



9. Install the Intake Tube onto the throttle body first, then into the airbox. Tighten all of the Hose Clamps.



10. Reconnect the breather lines to the Airaid Intake Tube.



11. Double check your work!

Make sure there is no foreign material in the intake path. Make sure all clamps, hoses, bolts, and screws are tight. Double check the hood clearance!

Reconnect the negative battery cable!

Thank you for purchasing the Airaid Intake System. Contact Airaid @ (800) 498-6951 8:00 AM - 5:00 PM MST weekdays for questions regarding fit or instructions that are not clear to you. Your Airaid Intake System was carefully inspected and packaged. Check that no parts are missing, or were damaged during shipping. If any parts are missing, contact Airaid. The air filter element is protected from direct exposure to water and debris; care should be taken not to drive through deep water. WATER INGESTION IS THE DRIVERS RESPONSIBILITY! The air filter is reusable and should be cleaned periodically.

FILTER IDENTIFICATION

860-397 Airaid Oiled Media
862-397 Airaid SynthaMax Dry Media - Black

861-397 Airaid SynthaMax Dry Media - Red
863-397 Airaid SynthaMax Dry Media - Blue

For your Oiled media filter we suggest using the AIRAID Filter Tune-Up Kit!



Do Not Oil



P/N 790-551 Aerosol Spray
P/N 790-550 Squeeze Spray



Synthamax Air Filters do not require oil. Service air filter as needed by cleaning with common non-petroleum all-purpose household cleaner and water. Simple Green®, Formula 409® or equivalent works great. Apply cleaner to outside of air filter and allow to soak. Then flush filter clean from the inside out with a garden hose and repeat steps if necessary. Do not apply high pressure water or air to clean filter. Allow filter to air dry and reinstall.