



100-705 INSTALLATION INSTRUCTIONS

Holley Spread Bore, Edelbrock Quadrajet, OE Spread Bore

Thank you for purchasing the PowerAid Throttle Body Spacer. Please read the instruction manual carefully before proceeding with the installation. Your PowerAid Throttle Body Spacer was carefully inspected and packaged. Check that no parts are missing, or were damaged during shipping. If you need any assistance please call 1-800-858-3333 to speak with a representative in our Customer Service Center before returning the product.

Thank you for selecting AIRAID.

INTAKE SYSTEMS FOR VEHICLES LISTED ARE 50 STATE LEGAL. SEE AIRAID.COM FOR CARB STATUS ON EACH PART FOR A SPECIFIC VEHICLE.



Parts List

AIR-KIT705PA	Aluminum Plate	(1)
AIR-KIT705G	Gasket	(2)
AIR-KIT705H	Hardware	
	5/16-18 x 4 1/2" Bolts	(2)
	5/16-18 x 2 1/4" Bolts	(2)
	5/16" Flat Washers	(4)

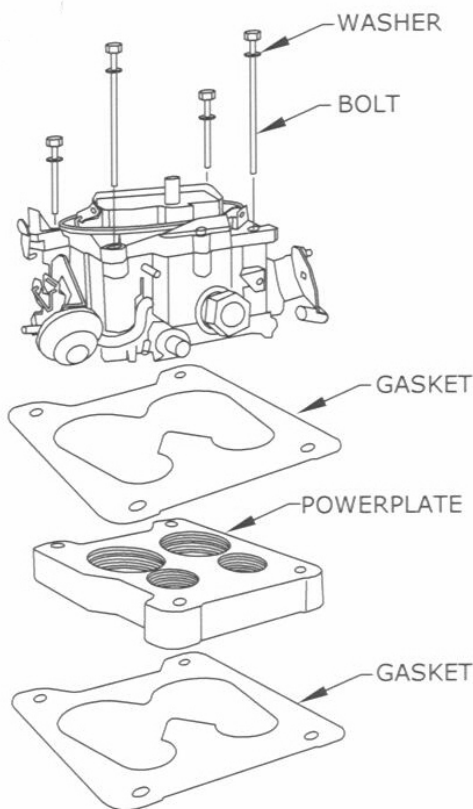
Tools List

1/2" Socket

Installation Instructions. Read Me!

1. **DISCONNECT NEGATIVE (-) BATTERY CABLE.**
2. Remove air cleaner.
3. Remove (4) bolts.
4. Remove carburetor.
5. Remove gasket and clean surfaces.
6. Install power plate with (2) gaskets.
 - A. Install one gasket between carburetor and power plate.
 - B. Install one gasket between power plate and manifold.
7. Install (2) 5/16-18 x 4 1/2" bolts, (2) 5/16-18 x 2 1/4" bolts, and (4) 5/16" flat washers, using **Step #2** as an example.
8. Inspect & Test throttle linkage for full Open & Closed travel before driving. Some cruise or kickdown cables may require adjustments. Please refer to your vehicles service manual for proper adjustment.
9. Reinstall the air cleaner.
10. Reconnect battery cable. Enjoy!

The sound of power...The "whistle" means its working!



AIR-I10705B

Rev. 12.07.15