



Installation Instructions

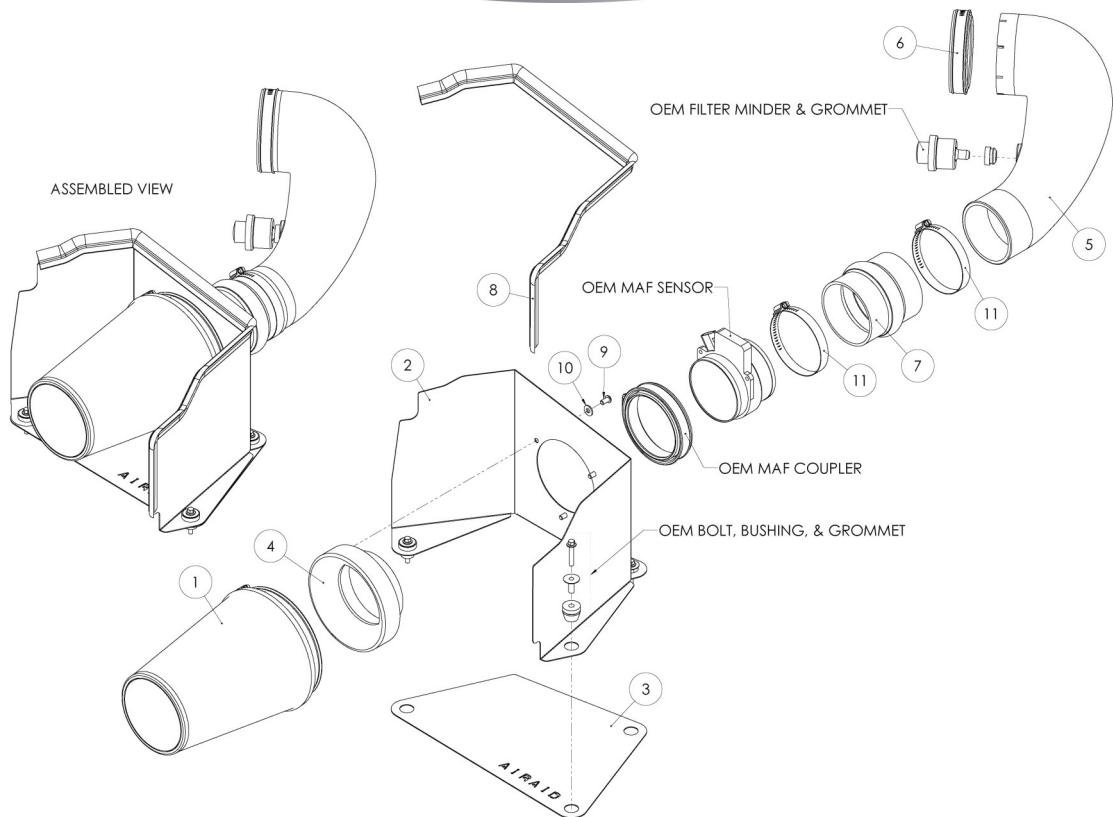
For Part Numbers:

200-146	700-469 Airaid Oiled Media Filter
201-146	701-469 SynthaMax Dry Media Filter - Red
202-146	702-469 SynthaMax Dry Media Filter - Black
203-146	703-469 SynthaMax Dry Media Filter - Blue

2003-07 Hummer H2/H2 SUT
6.0L V8

Component Identification

1.	Airaid Premium Filter	1
2.	Airaid MAF Panel	1
3.	Airaid Bottom Panel	1
4.	Filter Adapter	1
5.	Modular Intake Tube	1
6.	Coupler W/#68 Clamp	1
7.	Urethane Hump Hose	1
8.	Weather Strip 25"	1
9.	1/4-20 Button Head Bolt	3
10.	1/4" Flat Washer	3
11.	#60 Hose Clamp	2
12.	Airaid Decal	2



Full color instructions can be viewed on our web site at Airaid.com. Use the **Product Search** function to find your part number, and click **View Details**.



1. **Disconnect negative battery cable.** Remove the factory filter minder and rubber grommet from the factory intake tube, retain for re-installation later in the install.



2. Loosen the recessed bolt and remove the beauty cover. Loosen the factory hose clamps on each end of the factory intake tube and remove it from vehicle.



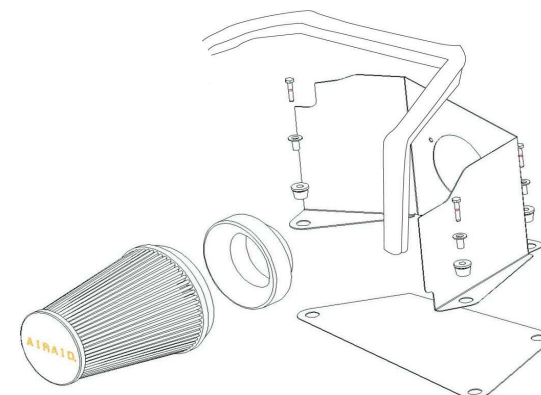
3. Loosen the Mass Air Flow sensor hose clamp. Remove the MAF sensor from the factory air box and temporarily set it aside. Use caution to retain the factory coupler & hose clamp on the MAF.



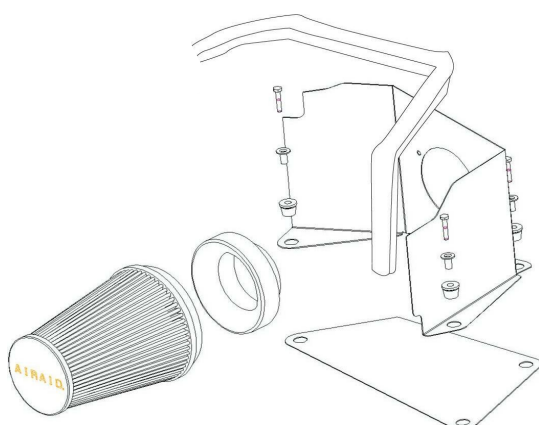
4. Remove the three factory air box hold down bolts, bushings, and grommets. Save them for the Airaid installation.



5. Remove the factory air box assembly from the engine compartment.



6. Align Cool Air Dam panels (#2, #3) & fasten together with saved grommets and bushings from step #4. Install the filter adapter (#4) using the 3 provided button head bolts (#9) and washers (#10).



7. Install the weather strip (#8) onto the top of the Airaid Cool Air Dam. (Hint: for easier installation start at one end or the other, not in the middle).



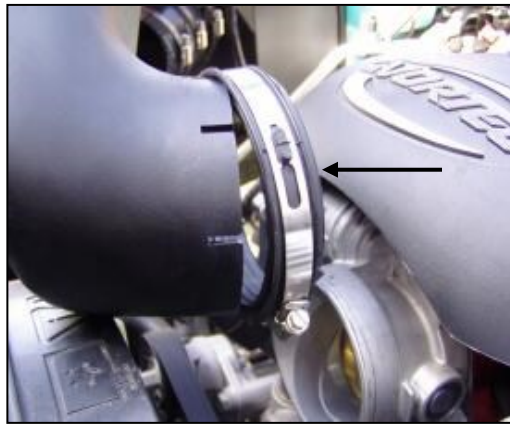
8. Mount the Airaid Premium filter (#1) onto the filter adapter and secure with the hose clamp. Apply the Airaid Foil Decal onto the Panel as shown.



9. Position the Airaid system over the three factory mounting points & secure with the three saved factory bolts removed in step #4. Apply the Airaid Foil Decal onto the Panel as shown.



10. Install the MAF sensor to the filter adapter (#4), and tighten the hose clamp .



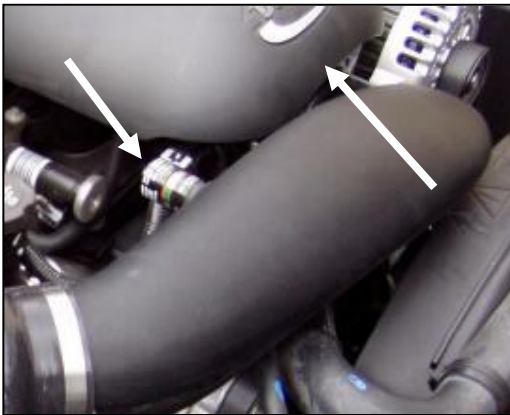
11. Install the provided coupler with clamp (#6) onto the Airaid Modular Intake Tube (MIT) (#5).



12. Install the provided urethane hump hose (#7) onto the Airaid Modular Intake Tube (MIT) (#5) with the 2 supplied #60 hose clamps (#11). **Note:** Leave hose clamps loose until final assembly.



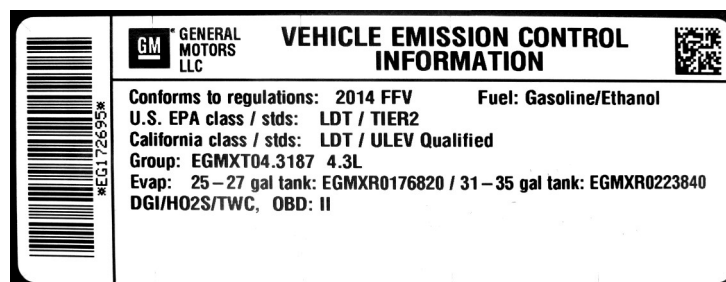
13. Connect the Airaid MIT (#5), hump hose end first, to the MAF sensor, and then connect the other end of the tube assembly to the throttle body. Check for interference and adjust the MIT accordingly, and then tighten the hose



14. Re-install the factory filter minder and rubber grommet into rear of Airaid MIT. Re-install the beauty cover from step 2.

15. Double check your work!
Make sure there is no foreign material in the intake path. Make sure all clamps, hoses, bolts, and screws are tight.

16. Reconnect the negative battery cable!



WARNING! If your vehicle has a Vehicle Emission Control Information decal affixed to the factory airbox, a new replacement label must be obtained and installed in a readily visible position in the engine compartment in order to remain CARB compliant. Failure to do so will prevent the vehicle from passing a smog check. Replacement labels can be ordered from your local dealership. Regulations state that the VECI label shall not be affixed to any equipment which is easily detached from the vehicle. Label placement, under the hood on a painted surface is recommended.

Thank you for purchasing the Airaid Intake System. Contact Airaid @ (800) 498-6951 8:00 AM - 5:00 PM MST weekdays for questions regarding fit or instructions that are not clear to you. Your Airaid Intake System was carefully inspected and packaged. Check that no parts are missing, or were damaged during shipping. If any parts are missing, contact Airaid. The air filter element is protected from direct exposure to water and debris; care should be taken not to drive through deep water. WATER INGESTION IS THE DRIVERS RESPONSIBILITY! The air filter is reusable and should be cleaned periodically.

FILTER IDENTIFICATION

700-469 Airaid Oiled Media
702-469 Airaid SynthaMax Dry Media - Black

701-469 Airaid SynthaMax Dry Media - Red
703-469 Airaid SynthaMax Dry Media - Blue

For your Oiled media filter we suggest using the AIRAID Filter Tune-Up Kit!



Do Not Oil



Synthamax Air Filters do not require oil. Service air filter as needed by cleaning with common non-petroleum all-purpose household cleaner and water. Simple Green®, Formula 409® or equivalent works great. Apply cleaner to outside of air filter and allow to soak. Then flush filter clean from the inside out with a garden hose and repeat steps if necessary. Do not apply high pressure water or air to clean filter. Allow filter to air dry and reinstall.

P/N 790-551 Aerosol Spray
P/N 790-550 Squeeze Spray