



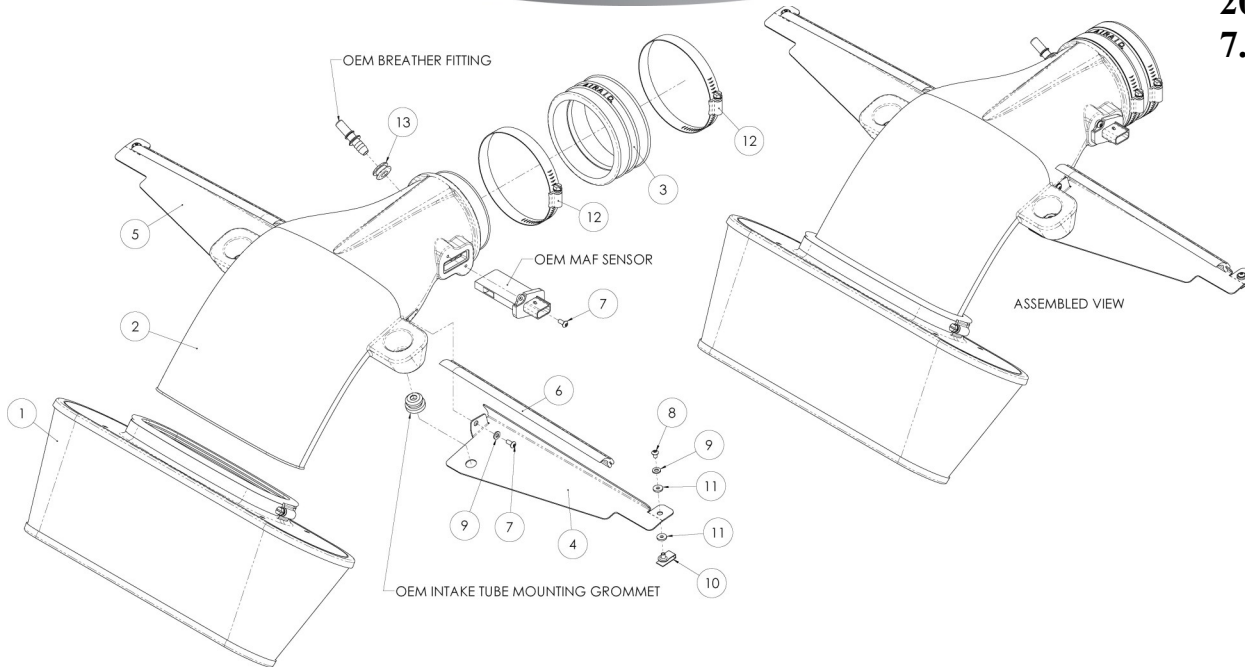
Installation Instructions

For Part Numbers:

250-216	720-475 Oiled media filter
251-216	721-475 SynthaMax Dry Media Filter - Red
252-216	722-475 SynthaMax Dry Media Filter - Black
253-216	723-475 SynthaMax Dry Media Filter - Blue

2006-13 Chevrolet Corvette Z06
7.0L V8

Component Identification



1.	Airaid Premium Filter	1
2.	Airaid Intake Tube	1
3.	Urethane Coupler	1
4.	Driver Side Air Dam	1
5.	Passenger Side Air Dam	1
6.	Weather Strip 9 1/2"	2
7.	8-32 x 3/8" Button Head Screw	4
8.	M4 Pan Head Screw	2
9.	#8 Flat Washer	4
10.	M4 Clip Nut	2
11.	Small Rubber Washer	4
12.	#64 Hose Clamp	2
13.	Grommet	1

Full color instructions can be viewed on our web site at Airaid.com. Use the **Product Search** function to find your part number, and click **View Details**.



1. **Disconnect negative battery cable.**
Remove the grey security clip on the bottom of the Mass Air Flow sensor wiring connector. Next squeeze the tab on the bottom of the connector, and disconnect the wiring harness from the sensor. Now loosen the hose clamp holding the tube to the throttle body.



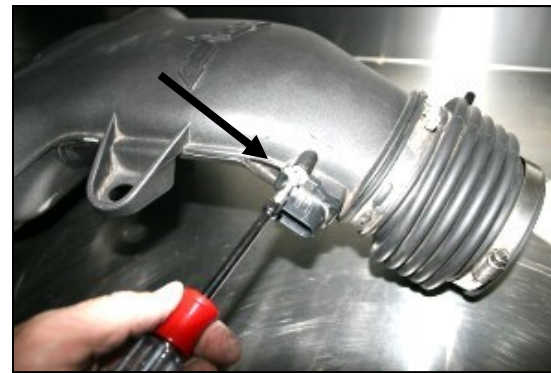
2. Push the tab on the top of the crankcase breather connector, and disconnect the breather hose from the factory intake tube breather fitting.



3. Lift up on the factory intake tube assembly to disengage the grommets from the two grommet posts and throttle body. Remove the assembly from the vehicle.



4. Remove the two factory grommets from the factory intake tube and set them aside for reuse in step #8.



5. Using an IPR20 Torx Plus Security Bit (Or Equivalent) remove the two factory screws that hold the MAF sensor into the factory intake tube. Remove the MAF sensor for reinstallation in step #9.



6. Remove the factory breather fitting from the factory intake tube and save for reinstallation in step #7.



7. Install the provided grommet (#13) into the hole in the Airaid Intake Tube (#2). Next install the factory plastic breather fitting removed in step #6 into the grommet.



8. Install the two factory grommets that were removed in step #4, into the Airaid Intake Tube as shown.

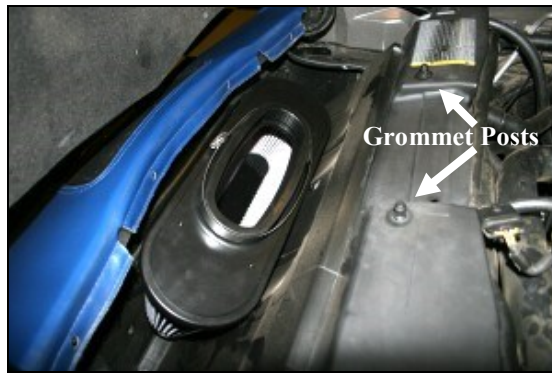


9. Reinstall the Mass Air Flow sensor removed in step #5, into the Airaid Intake Tube using two 8-32x3/8" button head bolts (#7).
Do Not Use The Factory Screws!
Next, install the urethane coupler (#3) onto the Airaid Intake Tube using two #64 hose clamps (#12) as shown. Tighten only the clamp closest to the MAF sensor.



Driver Side Shown

10. Attach the two air dams (#4 driver side & #5 passenger side) onto the Airaid Intake Tube using one 8-32x1/4" button head bolt (#8) and #8 flat washer (#9) on each side. Leave the bolts slightly loose for now to allow for adjustment.



Grommet Posts

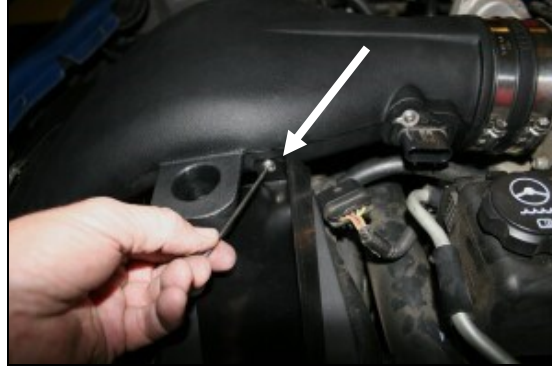
11. Set the Airaid Premium Filter into the area in front of the radiator. It will be mounted in step # 15.



12. Install the Airaid Intake Tube assembly onto the throttle body first, and then align the grommets and the holes in the air dams over the factory grommet posts on top of the radiator shroud. Push down to seat the grommets on the posts. Now tighten the hose clamp on the throttle body.



13. Slide one clip nut (#10) over the outside end of the plastic radiator cover and align it with the hole in the air dam. Install one rubber washer (#11) over the threads of the clip nut, and then align the air dam hole over the washer. Add one more rubber washer, one #8 flat washer (#9), and one M4 Pan Head Screw (#8) to secure the air dam. Repeat this step on the passenger side. Refer to the line drawing on page one.



14. Tighten all four button head bolts that retain the air dams to the intake tube, and the radiator shroud.



15. Slide the Airaid Premium Filter up onto the end of the intake tube and tighten the clamp. Reconnect the MAF sensor wiring harness and replace the grey security clip. Reconnect the factory breather hose to the breather fitting. Install the weather strip (#6) onto the top of the air dams as shown.

16. Double check your work!

Make sure there is no foreign material in the intake path. Make sure all clamps, hoses, bolts, and screws are tight.

17. Reconnect the negative battery cable!

Thank you for purchasing the Airaid Intake System. Contact Airaid @ (800) 498-6951 8:00 AM - 5:00 PM MST weekdays for questions regarding fit or instructions that are not clear to you. Your Airaid Intake System was carefully inspected and packaged. Check that no parts are missing, or were damaged during shipping. If any parts are missing, contact Airaid. The air filter element is protected from direct exposure to water and debris; care should be taken not to drive through deep water. WATER INGESTION IS THE DRIVERS RESPONSIBILITY! The air filter is reusable and should be cleaned periodically.

FILTER IDENTIFICATION

720-475 Airaid Oiled Media
722-475 Airaid SynthaMax Dry Media - Black

721-475 Airaid SynthaMax Dry Media - Red
723-475 Airaid SynthaMax Dry Media - Blue

For your Oiled media filter we suggest using the AIRAID Filter Tune-Up Kit!



P/N 790-551 Aerosol Spray
P/N 790-550 Squeeze Spray



Do Not Oil

Synthamax Air Filters do not require oil. Service air filter as needed by cleaning with common non-petroleum all-purpose household cleaner and water. Simple Green®, Formula 409® or equivalent works great. Apply cleaner to outside of air filter and allow to soak. Then flush filter clean from the inside out with a garden hose and repeat steps if necessary. Do not apply high pressure water or air to clean filter. Allow filter to air dry and reinstall.