



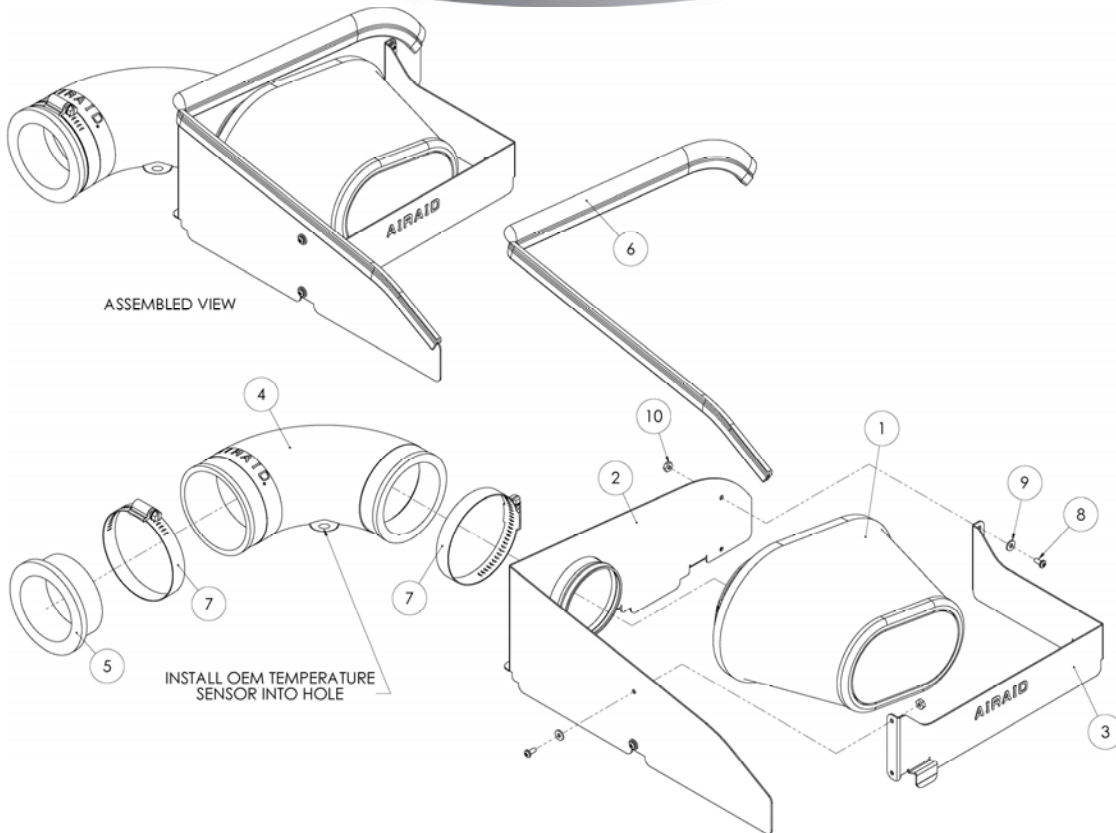
## Installation Instructions

For Part Numbers:

300-198	720-432 Airaid Oiled Media Filter
301-198	721-432 SynthaMax Dry Media Filter - Red
302-198	722-432 SynthaMax Dry Media Filter - Black
303-198	723-432 SynthaMax Dry Media Filter - Blue

2006-10 Chrysler PT Cruiser  
2.4L I4 Non Turbo

INTAKE SYSTEMS FOR VEHICLES LISTED ARE 50 STATE LEGAL. SEE AIRAID.COM FOR CARB STATUS ON EACH PART FOR A SPECIFIC VEHICLE.



### Component Identification

1.	Airaid Premium Filter	1
2.	Rear Panel	1
3.	Front Panel	1
4.	Rubber Elbow	1
5.	Reducer Bushing	1
6.	Weather Strip 25 1/2"	1
7.	#48 Hose Clamp	2
8.	6-32x 5/16" Screw	4
9.	#6 Flat Washer	4
10.	6-32 Keps Nut	4
11.	Airaid decal	1

Full color instructions can be viewed on our web site at [Airaid.com](http://Airaid.com). Use the **Product Search** function to find your part number, and click **View Details**. If you need any assistance please call 1-800-858-3333 to speak with a representative in our Customer Service Center before returning the product.



1. **Disconnect the negative battery cable.** Slide the red tab up on the temperature sensor, and then squeeze the black tab at the top of the sensor, and disconnect the wiring harness from the temperature sensor. Next loosen the two hose clamps at each end of the factory intake tube.



2. Unhook the two metal clips that hold the factory air cleaner lid to the base of the air cleaner box.



3. Remove the factory air cleaner lid by lifting up on the front, and then sliding the tabs out of the back of the air cleaner base.



4. Remove the factory air filter from the base of the air cleaner box.



5. Remove the factory air intake tube from the throttle body.



6. Carefully remove the temperature sensor from the factory intake tube and set it aside, it will be re-used in step #10.



7. Assemble the Quick Fit Panels (#2 & #3) as shown, using the four provided screws (#8), washers (#9), and nuts (#10). Apply the Airaid Foil Decal onto the Panel as shown.



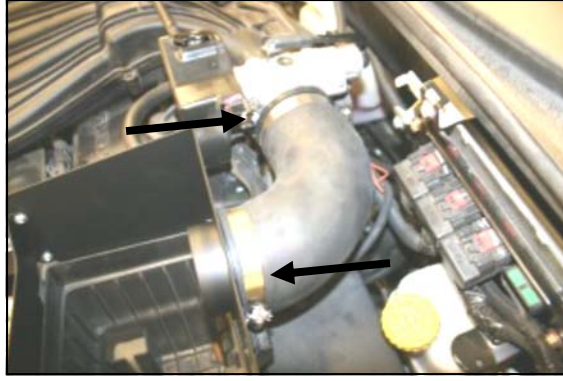
8. Install the three tabs of the assembled Quick Fit Panel into the three slots on the back of the factory air cleaner base, adjust the panels to fit in the slot around the top of the base, and re-latch the two factory clips to secure the panels to the base.



9. Install the reducer bushing (#5) into large end of the rubber elbow (#4).



**10.** Very carefully, install the factory temperature sensor removed in step #6, into the Airaid intake tube. Make sure it is seated all the way in.



**11.** Install two #48 hose clamps (#7) on the Airaid intake tube, and then install the Airaid intake tube from the Quick Fit panel to the throttle body, making sure the reducer end is towards the throttle body. Tighten the hose clamps, and re-connect the temperature sensor wiring harness.



**12.** Install the Airaid Premium Filter (#1) onto the Quick Fit Panel, and tighten the hose clamp. Next install the weather strip (#6), as shown, onto the top of the Quick Fit Panel starting at the front and working your way towards the back.

### 13. Double check your work!

Make sure there is no foreign material in the intake path. Make sure all clamps, hoses, bolts, and screws are tight.

### 14. Re-connect the negative battery cable!

Thank you for purchasing the Airaid Intake System. Contact Airaid @ (800) 498-6951 8:00 AM - 5:00 PM MST weekdays for questions regarding fit or instructions that are not clear to you. Your Airaid Intake System was carefully inspected and packaged. Check that no parts are missing, or were damaged during shipping. If any parts are missing, contact Airaid. The air filter element is protected from direct exposure to water and debris; care should be taken not to drive through deep water. **WATER INGESTION IS THE DRIVERS RESPONSIBILITY!** The air filter is reusable and should be cleaned periodically.

## FILTER IDENTIFICATION

720-432 Airaid Oiled Media  
722-432 Airaid SynthaMax Dry Media - Black

721-432 Airaid SynthaMax Dry Media - Red  
723-432 Airaid SynthaMax Dry Media - Blue

**For your Oiled media filter we suggest using the AIRAID Filter Tune-Up Kit!**



P/N 790-551 Aerosol Spray  
P/N 790-550 Squeeze Spray



*SynthaMax*<sup>®</sup>

**Do Not Oil**

Synthamax Air Filters do not require oil. Service air filter as needed by cleaning with common non-petroleum all-purpose household cleaner and water. Simple Green<sup>®</sup>, Formula 409<sup>®</sup> or equivalent works great. Apply cleaner to outside of air filter and allow to soak. Then flush filter clean from the inside out with a garden hose and repeat steps if necessary. Do not apply high pressure water or air to clean filter. Allow filter to air dry and reinstall.

**INTAKE SYSTEMS FOR VEHICLES LISTED ARE 50 STATE LEGAL. SEE AIRAID.COM FOR CARB STATUS ON EACH PART FOR A SPECIFIC VEHICLE.**