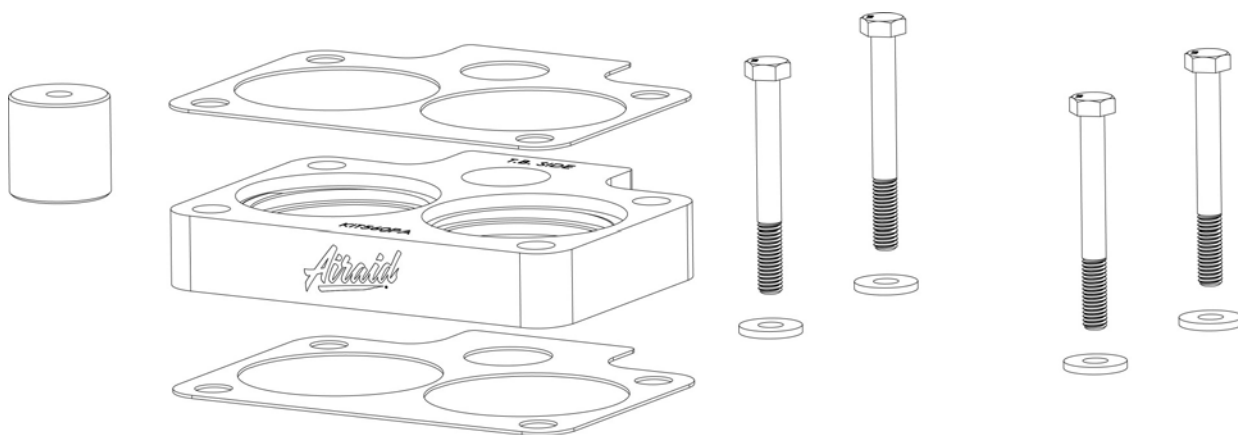




300-560 INSTALLATION INSTRUCTIONS
94-01 Dodge Ram 3.9L, 5.2L
94-03 Dodge Ram 5.9L



**INTAKE SYSTEMS FOR VEHICLES LISTED ARE 50
STATE LEGAL. SEE AIRAID.COM FOR CARB STATUS
ON EACH PART FOR A SPECIFIC VEHICLE.**

Thank you for purchasing the Airaid Throttle Body Spacer. Please read the instruction manual carefully before proceeding with the installation. Your Airaid Throttle Body Spacer was carefully inspected and packaged. Check that no parts are missing, or were damaged during shipping. If you need any assistance please call 1-800-858-3333 to speak with a representative in our Customer Service Center before returning the product.
Thank you for selecting AIRAID.

Parts List	
AIR-KIT560PA Aluminum Plate	(1)
AIR-KIT560G Gasket	(1)
AIR-KIT560H Hardware	
5/16-18" x 3 1/4" Bolts	(4)
5/16" Lock Washers	(4)
Spacer (3/4" long)	(1)

Also available for your Dodge Ram, the Airaid Intake System p/n 300-106.
Call for details!

Tools List
1/2" Socket
Ratchet & Extension
Standard Screwdriver

Installation Instructions. Read Me!

- 1. DISCONNECT NEGATIVE (-) BATTERY CABLE.**
- Remove the air cleaner.
- Using 1/2" socket, remove (4) 5/16" bolts attaching the throttle body to the manifold.
- Lift the throttle body.
- Remove the old gasket and clean both the throttle body and manifold surfaces.
- Install power plate with (2) gaskets. **(Ref. A)**
 - Place one gasket between throttle body and the power plate.
 - Place second gasket between the power plate and intake manifold.
- Replace (4) bolts **(Ref. D)** using **Step 2** as an example.
- Inspect & Test the throttle linkage for full Open & Closed travel before driving. Some cruise or kickdown cables may require adjustment. Please refer to your vehicles service manual for proper adjustment.
- Locate air cleaner spacer support. **(Ref. C)**
- Reinstall the air cleaner using **Step 1** as an example.
- Reconnect battery cable. Enjoy!

The sound of power...The "whistle" means its working!

Included with your Airaid Spacer is a sticker with a California Air Resources Board (C.A.R.B.) Executive Order (EO) number. This sticker must be placed in plain view inside of the engine compartment. Failure to do so may prevent you from passing a smog inspection.

Ref. "C"- (1) 1" long Spacer



Ref. "D"- (4) 5/16-18" x 3 1/4" Bolts

Ref. "B"- Throttle Body

Ref. "A"- Power Plate
(2) Gaskets

AIR-I30560D
Rev. 06.16.20