



Installation Instructions

For Part Numbers:

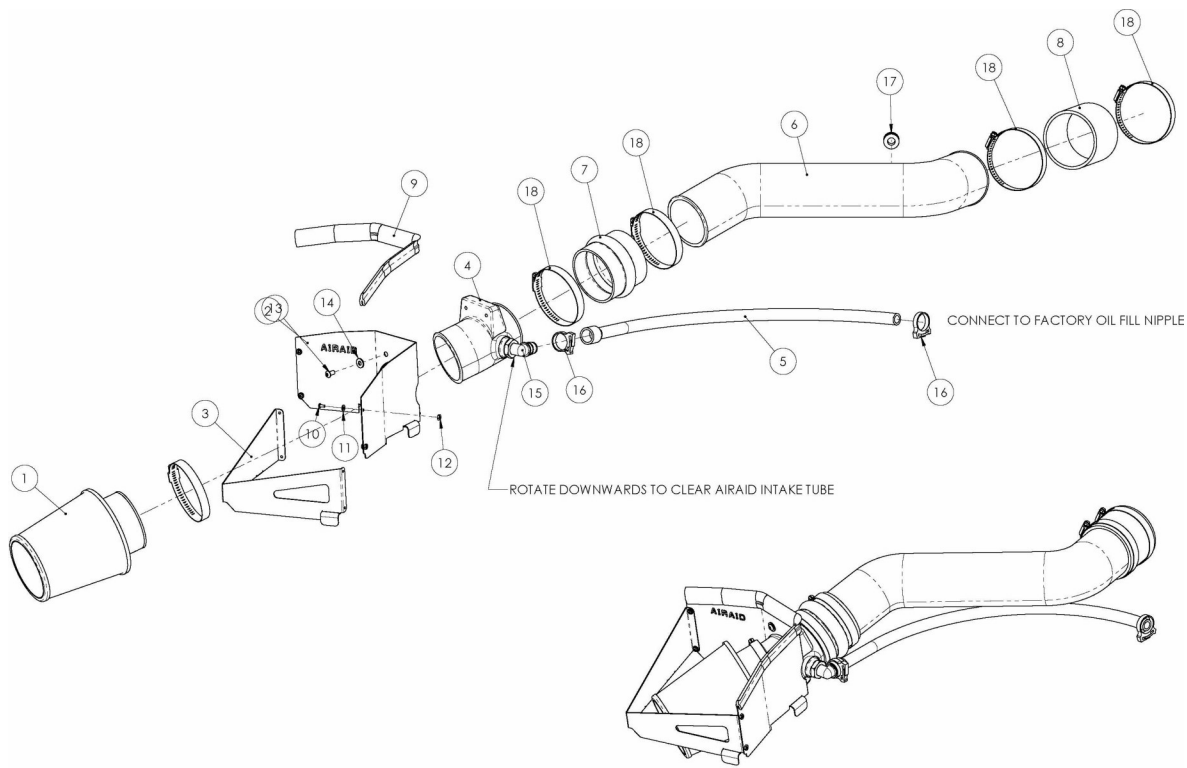
300-156	700-450 Airaid Oiled Media Filter
301-156	701-450 SynthaMax Dry Media Filter - Red
302-156	702-450 SynthaMax Dry Media Filter - Black
303-156	703-450 SynthaMax Dry Media Filter - Blue

2004-08 Dodge Durango

2007-08 Chrysler Aspen

5.7L V8

Component Identification



1.	Airaid Premium Filter	1
2.	MAF Panel	1
3.	Front Panel	1
4.	Air Filter Adapter	1
5.	3/4" x 25" Hose	1
6.	Airaid Intake Tube	1
7.	Hump Hose	1
8.	Coupler	1
9.	Weather Strip 17"	1
10.	6-32 x 5/16" Screw	4
11.	#6 Flat Washer	4
12.	6-32 Keps Nut	4
13.	1/4-20 x 1/2" Button Head Screw	2
14.	1/4" Flat Washer	2
15.	Nylon Fitting	1
16.	#24 Speed Clamp	2
17.	Rubber Grommet	1
18.	#60 Hose Clamp	4

Full color instructions can be viewed on our web site at Airaid.com. Use the **Product Search** function to find your part number, and click **View Details**.



1. Disconnect the negative battery cable.
Remove the valve cover breather hose from the factory air box lid. Loosen the hose clamps on both sides of the factory intake tube.



2. Unsnap the factory intake tube baffle from the fan shroud and then remove the factory intake tube assembly from the vehicle.



3. Unlatch the clips that secure the air box lid to the air box base, and remove the air box lid from the vehicle. Using a 13mm socket, remove the air box base from the engine compartment.



4. Using a flat blade screwdriver, carefully un-snap the air box base inlet from the air box base and remove it. Reinstall the factory air box base into the engine compartment without the inlet.



5. Carefully disconnect the factory air temperature sensor wiring harness from the sensor in the resonator.



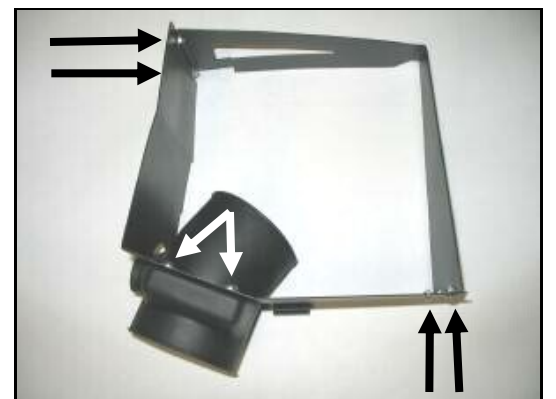
6. Remove the oil fill cap from the valve cover. Using a 10mm socket, loosen the two factory resonator bolts. Remove the resonator from the engine and then replace the oil fill cap.



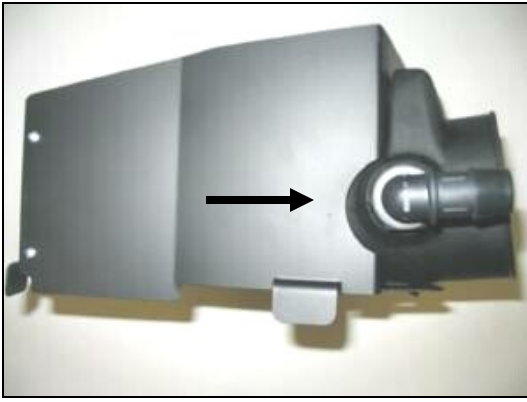
7. Remove the factory air temperature sensor from the resonator by turning it counter clockwise and pulling it straight out (save for reuse).



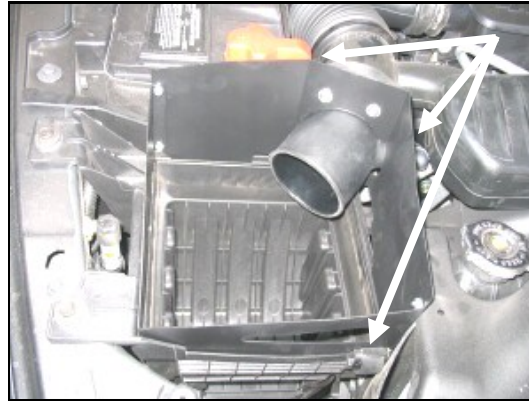
8. Remove the factory orange seal from the throttle body.



9. Assemble the Airaid Quick Fit Panels (#2, #3) using four 6-32 x 5/16" screws (#10), #6 flat washers (#11), and 6-32 keps nuts (#12). Next, install the air filter adapter (#4) using two 1/4-20 x 1/2" button head screws (#13) and 1/4" flat washers (#14).



10. Install the nylon fitting (#15) into the air filter adapter as shown.



11. Install the Quick Fit Panels onto the top of the factory air box base. Relatch the factory clips onto the tabs on the Quick Fit Panels.



12. Remove the factory breather hose. Connect one end of the 3/4" x 25" hose (#5) to the nylon fitting and the other to the oil fill nipple as shown. Secure each end using one #24 Speed Clamp (#16). Adjust the nylon fitting downward to clear the Airaid Intake Tube assembly.



13. Install the rubber grommet (#17) and factory air temperature sensor into the Airaid Intake Tube (#6).



14. Install the hump hose (#7) and coupler (#8) onto the Airaid Intake Tube using four #60 hose clamps (#18). The coupler is positioned on the throttle body end and the hump hose is positioned on the air filter adapter end of the tube.



15. Install the Airaid Intake Tube assembly onto the engine with the hump hose end towards the air filter adapter. Adjust the assembly for fit and then tighten the four hose clamps.



16. Reconnect the factory air temperature sensor wiring harness to the sensor.



17. Install the Airaid Premium Filter (#1) onto the end of the air filter adapter. Install the weather strip (#9) onto the top of the Airaid Quick Fit Panels. (Note: start from one end and work your way around to insure proper alignment of the weather strip.)

18. **Double check your work!** Make sure there is no foreign material in the intake path. Make sure all clamps, hoses, bolts, and screws are tight.

19. **Reconnect the negative battery cable!**

Thank you for purchasing the Airaid Intake System. Contact Airaid @ (800) 498-6951 8:00 AM - 5:00 PM MST weekdays for questions regarding fit or instructions that are not clear to you. Your Airaid Intake System was carefully inspected and packaged. Check that no parts are missing, or were damaged during shipping. If any parts are missing, contact Airaid. The air filter element is protected from direct exposure to water and debris; care should be taken not to drive through deep water. WATER INGESTION IS THE DRIVERS RESPONSIBILITY! The air filter is reusable and should be cleaned periodically.

FILTER IDENTIFICATION

700-450 Airaid Oiled Media
702-450 Airaid SynthaMax Dry Media - Black

701-450 Airaid SynthaMax Dry Media - Red
703-450 Airaid SynthaMax Dry Media - Blue

For your Oiled media filter we suggest using the AIRAID Filter Tune-Up Kit!



P/N 790-551 Aerosol Spray
P/N 790-550 Squeeze Spray



SynthaMax

Do Not Oil

Synthamax Air Filters do not require oil. Service air filter as needed by cleaning with common non-petroleum all-purpose household cleaner and water. Simple Green®, Formula 409® or equivalent works great. Apply cleaner to outside of air filter and allow to soak. Then flush filter clean from the inside out with a garden hose and repeat steps if necessary. Do not apply high pressure water or air to clean filter. Allow filter to air dry and reinstall.