



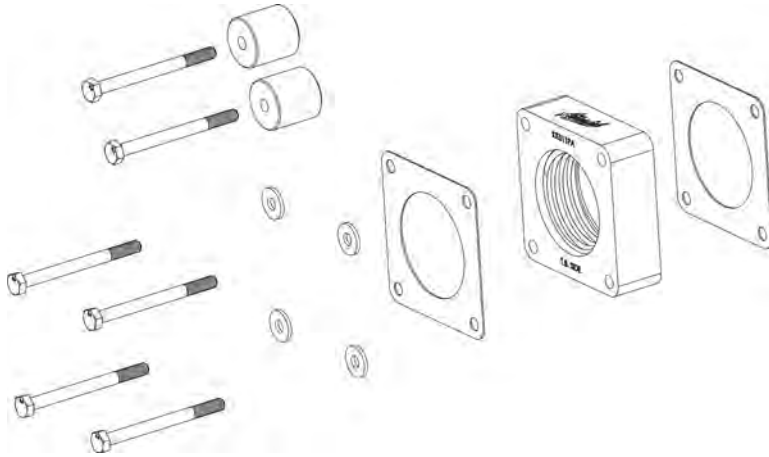
Installation Instructions
Part Number 310-511
AIRAID Spacer For 91-02
Jeep TJ, YJ Wrangler
XJ Cherokee 2.5L

Parts List

AIR-KIT511PA	Aluminum Plate	(1)
AIR-KIT511G	Gasket	(2)
AIR-KIT511H	Hardware	
	6mmx50mm Bolts	(4)
	6mm Flat Washers	(4)
	1" Round Spacer	(2)
	6mmx40mm Bolts	(2)

Tools Required For Installation

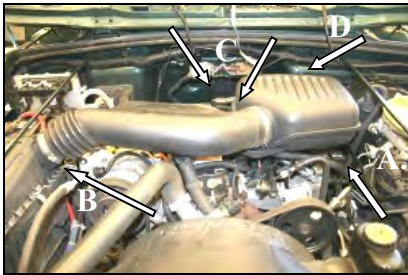
10mm Socket
5/16" Socket



INTAKE SYSTEMS FOR VEHICLES LISTED ARE 50
STATE LEGAL. SEE AIRAID.COM FOR CARB STATUS
ON EACH PART FOR A SPECIFIC VEHICLE.

Thank you for purchasing the Airaid Throttle Body Spacer. Please read the instruction manual carefully before proceeding with the installation. Your Airaid Throttle Body Spacer was carefully inspected and packaged. Check that no parts are missing, or were damaged during shipping. If you need any assistance please call 1-800-858-3333 to speak with a representative in our Customer Service Center before returning the product.

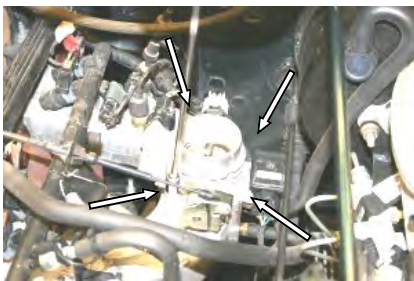
Thank you for selecting AIRAID.



1. **Disconnect the negative battery cable!**
A). Loosen the hose clamp that holds the factory intake resonator to the throttle body. B). Loosen the hose clamp that connects to the airbox. C). Remove two bolts on top of the valve cover. D). Disconnect the breather hose on the back of the resonator.



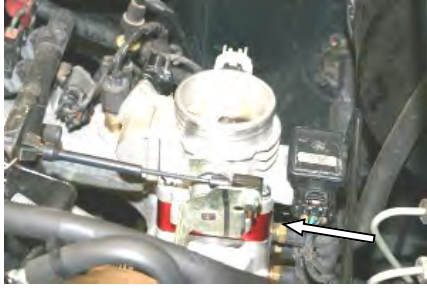
2. Remove the intake tube and resonator from the vehicle.



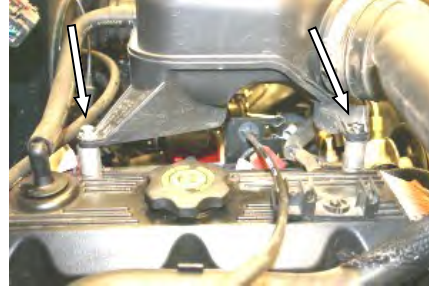
3. With a 10mm socket, remove the four bolts that hold the throttle body to the intake manifold.



4. With the throttle body set aside, remove the gasket and clean the surfaces of the manifold and throttle body.



5. Install one gasket (#4) on the intake manifold, then the Airaid spacer (#1), with the other gasket (#4) on top of it. Next install the throttle body using the four provided 6mmx50mm bolts (#2) and washers (#3), and tighten to manufacturer's specifications.



6. Install the two 1" aluminum spacers (#5) and provided 6mmx40mm bolts (#6) under the mounting tabs that hold the factory resonator to the top of the valve cover as shown.



7. Re-connect the intake tube to the airbox, re-connect the breather hose, and tighten all hose clamps.

8. Inspect & test the throttle linkage for full open and closed travel before driving. Some cruise and kickdown cables may require adjustment. Please refer to vehicles service manual for proper adjustment.

9. **Re-connect the negative battery cable!**

Included with your Airaid Spacer is a sticker with a California Air Resources Board (C.A.R.B.) Executive Order (EO) number. This sticker must be placed in plain view inside of the engine compartment. Failure to do so may prevent you from passing a smog inspection.

The sound of power...The "whistle" means its working!

Contact your nearest Airaid dealer for an Airaid Intake System for your car, truck or SUV.

AIR-I31511D
Rev. 06.16.20