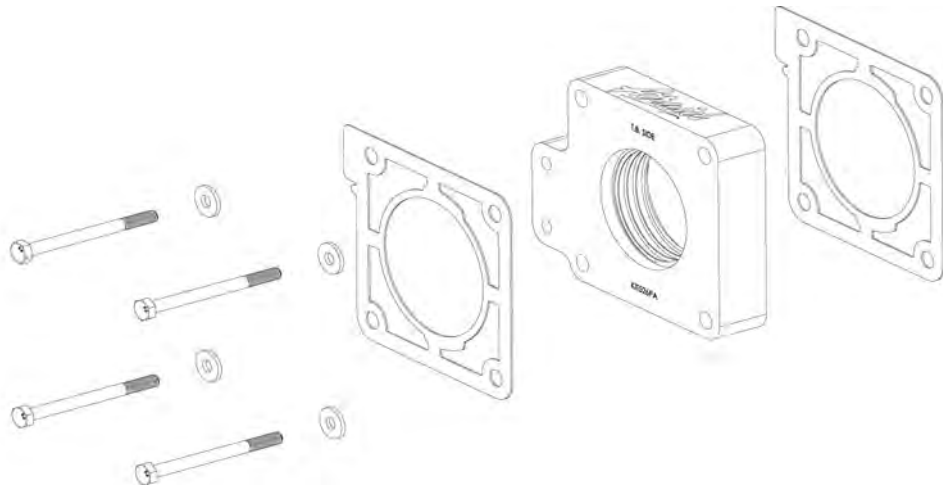




## # 400-526 INSTALLATION INSTRUCTIONS 88-93 Ford Mustang 5.0L

Thank you for purchasing the Airaid Throttle Body Spacer. Please read the instruction manual carefully before proceeding with the installation. Your Airaid Throttle Body Spacer was carefully inspected and packaged. Check that no parts are missing, or were damaged during shipping. If you need any assistance please call 1-800-858-3333 to speak with a representative in our Customer Service Center before returning the product.

*Thank you for selecting AIRAID.*



**THROTTLE BODY SPACERS FOR VEHICLES LISTED ARE 50 STATE LEGAL. SEE AIRAID.COM FOR CARB STATUS ON EACH PART FOR A SPECIFIC VEHICLE.**

<b>Parts List</b>		
AIR-KIT526PA	Aluminum Plate	(1)
AIR-KIT526G	Gasket	(2)
AIR-KIT526H	Hardware	
5/16-18" x 4 1/2" Bolts		(4)
5/16" Washers		(4)

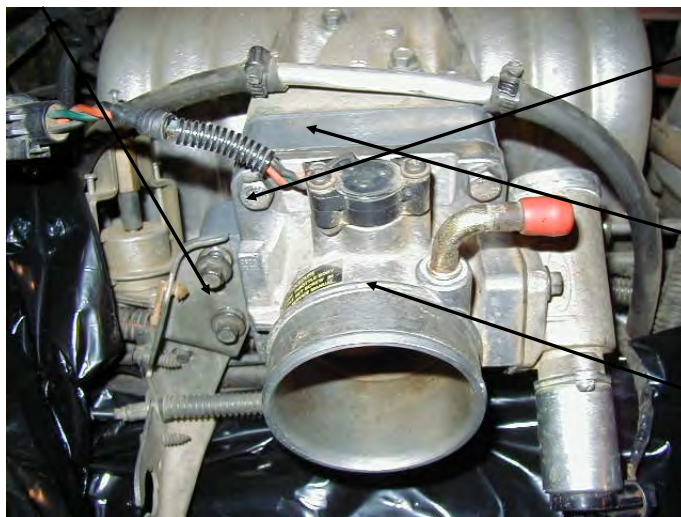
<b>Tools List</b>
1/2" Socket
Standard Screwdriver

## ***Installation Instructions. Read Me!***

1. **DISCONNECT NEGATIVE (-) BATTERY CABLE.**
2. Remove air cleaner assembly.
3. Remove (2) 8mm bolts from the throttle linkage bracket and save. **(Ref. D)**
4. Remove (4) bolts from the throttle body.
5. Install the power plate using (2) gaskets. **Ref. A**
  - A. Locate one gasket between the throttle body and spacer.
  - B. Locate second gasket between spacer and intake manifold.
6. Install (4) 5/16-18 x 4 1/2" bolts and (4) 5/16" washers. **Refer to Step 4**
7. Install throttle linkage bracket using (2) saved 8mm bolts.
8. Inspect & Test throttle linkage for full open & closed travel before driving. Some cruise or kickdown cables may require adjustment. Please refer to your vehicles service manual for proper adjustment.
9. Reinstall the air cleaner assembly using **Step 2** as an example.
10. Reconnect battery cable. Enjoy!

***The sound of power...The "whistle" means its working!***

**Ref. D-** Linkage Bracket  
(2) 8mm Existing Bolts



**Ref. C-** (4) 5/16-18" x 4 1/2" Bolts  
(4) 5/16" Washers

**Ref. A-** (1) Spacer  
(2) Gaskets

**Ref. B-** Throttle Body

AIR-I40526C  
Rev. 12.23.16