



Installation Instructions

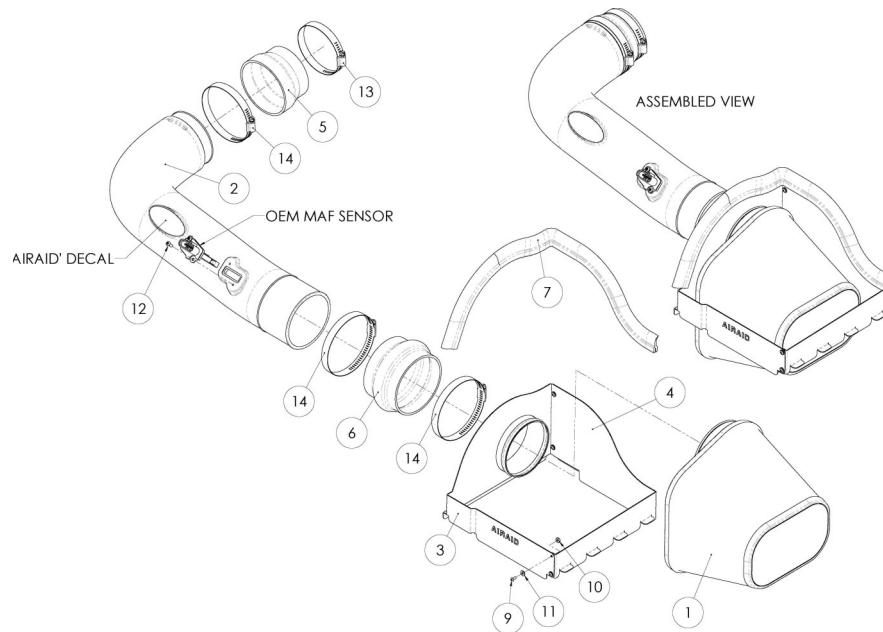
For Part Numbers:

400-256	720-478 Airaid Oiled Media Filter
401-256	721-478 SynthaMax Dry Media Filter - Red
402-256	722-478 SynthaMax Dry Media Filter - Black
403-256	723-478 SynthaMax Dry Media Filter - Blue

2008-2010 Ford F-250/F-350 Super Duty
5.4L V8

Component Identification

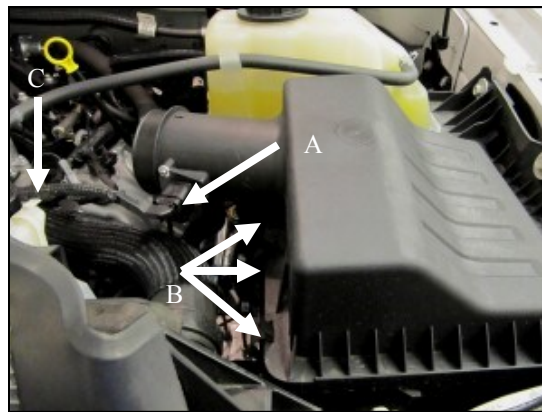
1.	Airaid Premium Filter	1
2.	Airaid Intake Tube	1
3.	Front Panel	1
4.	Rear Panel	1
5.	Silicone Reducer Coupler	1
6.	Silicone Hump Hose	1
7.	Weather Strip 23"	1
8.	Split Loom 20"	1
9.	6-32 x 5/16" Screw	4
10.	6-32 Keps Nut	4
11.	#6 Flat Washer	4
12.	8-32 x 3/8" Button Head Screw	2
13.	#52 Hose Clamp	1
14.	#64 Hose Clamp	3
15.	T-20 Torx Driver	1



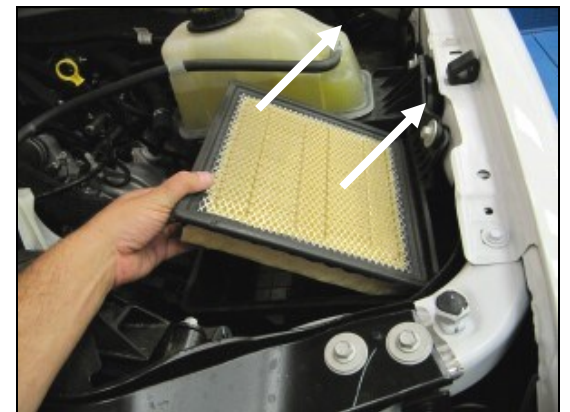
Full color instructions can be viewed on our web site at Airaid.com. Use the **Product Search** function to find your part number, and click **View Details**.



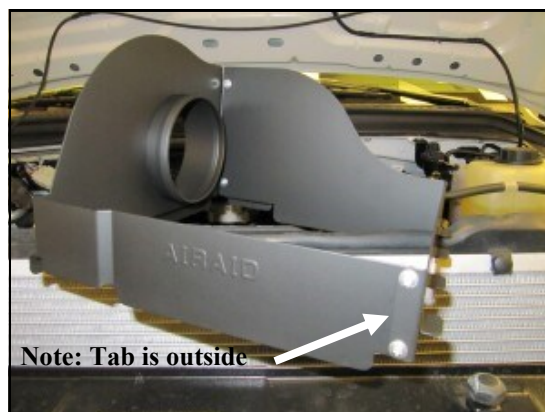
1. Disconnect the negative battery cable!
Loosen the two intake clamps, unclip the coolant hose and remove the Factory intake tube.



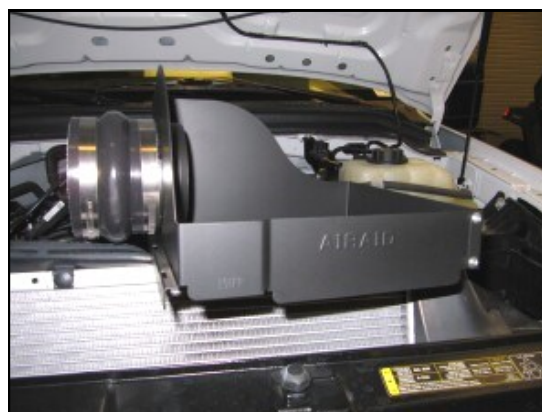
2. A.) Disconnect the Mass Air Flow (MAF) Sensor.
B.) Unfasten the three airbox clips on the left side, and remove the upper half of the factory airbox.
C.) Pull the wiring harness anchor out of the power steering reservoir.



3. Remove the factory air filter from the lower half of the airbox.



4. Assemble the two Quick Fit panels (#3 & #4) as shown using four 6-32 screws (#9) flat washers (#11) and kep nuts (#10).
Note: Tab is outside



5. A.) Install the Silicone Hump Hose (#6) and two #64 Hose Clamps(#14) onto the Quick Fit assembly. Leave the clamps loose for now.



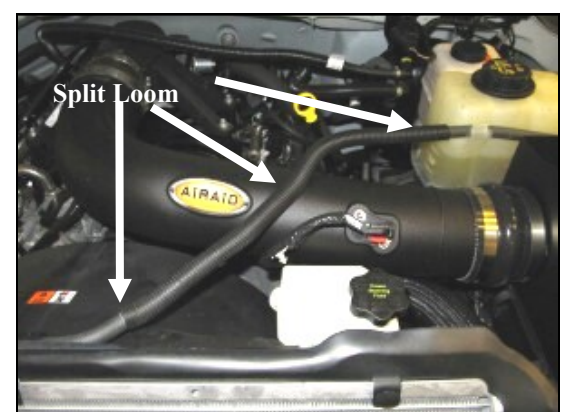
6. Install the assembly onto the lower half of the factory airbox. Slide the metal tabs into the airbox slots, and fastened the 3 airbox clips.



7. Install the Silicone Coupler (#5), one #64 Hose Clamp(#14), and the #52 Hose clamp (#13) onto the engine air inlet. Leave the clamps loose for now.



8. A.) Transfer the MAF sensor into the Airaid Intake Tube (#2) and secure using two 8-32 x 3/8" button head screws (#12). **Do Not Use The Factory Torx Head Screws !**



9. A.) Insert the Airaid Intake Tube into the couplers as shown. Check for alignment, and tighten all clamps.
B.) Slide the Split Loom (#8) over the coolant line
C.) Re connect the Mass Air Flow Sensor. Apply the Airaid Bubble Decal onto the Intake Tube as shown.



10. Install the Airaid Premium Filter (#1) to the mounting flange inside the quick fit assembly. Complete the installation by attaching the Weather Strip (#7) to the top of the panels as shown.

11. Double check your work!

Make sure there is no foreign material in the intake path. Make sure all clamps, hoses, bolts, and screws are tight. intake path. Make sure all clamps, hoses, bolts, and screws are tight. Periodically check the tightness of all hose clamps.

12. Re-connect the negative battery cable!

Thank you for purchasing the Airaid Intake System. Contact Airaid @ (800) 498-6951 8:00 AM - 5:00 PM MST weekdays for questions regarding fit or instructions that are not clear to you. Your Airaid Intake System was carefully inspected and packaged. Check that no parts are missing, or were damaged during shipping. If any parts are missing, contact Airaid. The air filter element is protected from direct exposure to water and debris; care should be taken not to drive through deep water. WATER INGESTION IS THE DRIVERS RESPONSIBILITY! The air filter is reusable and should be cleaned periodically.

FILTER IDENTIFICATION

720-478 Airaid Oiled Media
722-478 Airaid SynthaMax Dry Media - Black

721-478 Airaid SynthaMax Dry Media - Red
723-478 Airaid SynthaMax Dry Media - Blue

For your Oiled media filter we suggest using the AIRAID Filter Tune-Up Kit!



P/N 790-551 Aerosol Spray
P/N 790-550 Squeeze Spray



Do Not Oil

Synthamax Air Filters do not require oil. Service air filter as needed by cleaning with common non-petroleum all-purpose household cleaner and water. Simple Green®, Formula 409® or equivalent works great. Apply cleaner to outside of air filter and allow to soak. Then flush filter clean from the inside out with a garden hose and repeat steps if necessary. Do not apply high pressure water or air to clean filter. Allow filter to air dry and reinstall.

