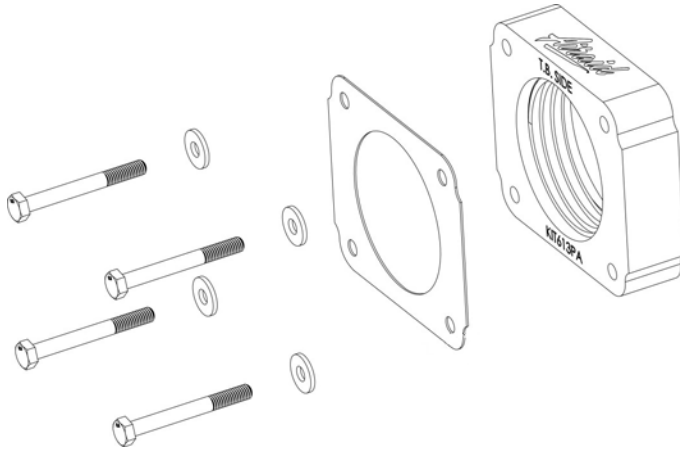




Installation Instructions
Part Number 450-613
AIRAID Spacer For
2005-10 Ford Mustang
4.0L V-6

Parts List

AIR-KIT613PA	Aluminum Plate	(1)
AIR-KIT613G	Gasket	(1)
AIR-KIT633H	Hardware	
	6mmx65mm Bolts	(4)
	6mm Flat Washers	(4)



Tools Required For Installation

5/16", 10mm Sockets
Ratchet and Extension

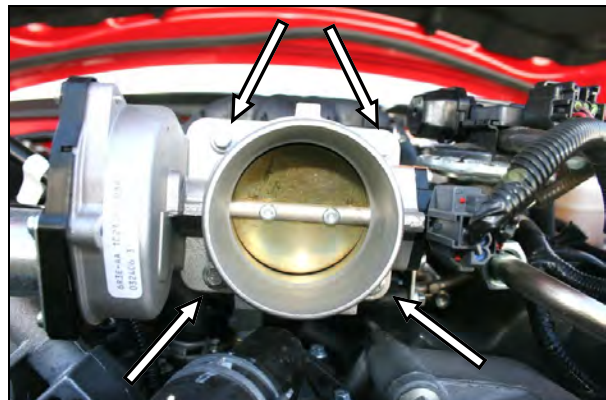
INTAKE SYSTEMS FOR VEHICLES LISTED ARE 50
STATE LEGAL. SEE AIRAID.COM FOR CARB STATUS
ON EACH PART FOR A SPECIFIC VEHICLE.

Included with your Airaid Spacer is a sticker with a California Air Resources Board (C.A.R.B.) Executive Order (EO) number. This sticker must be placed in plain view inside of the engine compartment. Failure to do so may prevent you from passing a smog inspection.

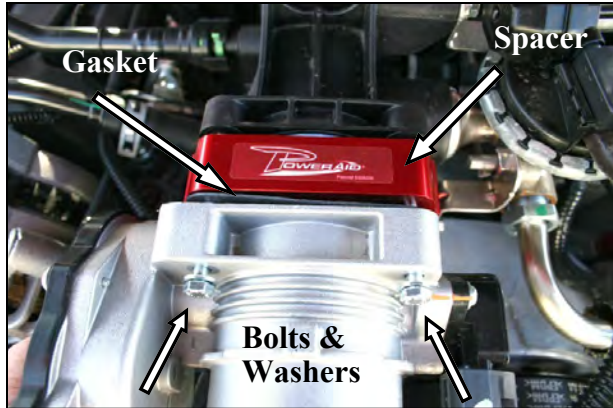
Thank you for purchasing the Airaid Throttle Body Spacer. Please read the instruction manual carefully before proceeding with the installation. Your Airaid Throttle Body Spacer was carefully inspected and packaged. Check that no parts are missing, or were damaged during shipping. If you need any assistance please call 1-800-858-3333 to speak with a representative in our Customer Service Center before returning the product.
Thank you for selecting AIRAID.



1. **Disconnect the negative battery cable!**
Using a 5/16" socket, loosen two hose clamps that hold the intake tube between the throttle body, and the air cleaner lid.
Turn the green tab, and disconnect the breather hose from the air intake tube. Remove the intake tube from the vehicle.



2. Using a 5/16" socket, remove the 4 bolts that hold the throttle body to the intake manifold.



3. Install two bolts (#2), and washers (#3) thru the throttle body, thru the gasket (#4), thru the Airaid Spacer (#1), and into the intake manifold as shown. **Use caution to retain the factory o-ring gasket on the plastic intake manifold.**

Next install the remaining bolts in the bottom holes of the throttle body, and tighten evenly to the manufacture's specifications. **Do Not Over Tighten**



4. Reinstall the intake tube, and tighten the hose clamps. Reconnect the breather hose to the intake tube.

5. Inspect & test the throttle linkage for full open and closed travel before driving.

6. Re-connect the negative battery cable!

The sound of power...The "whistle" means its working!

Contact your nearest Airaid dealer for an Airaid Intake System for your car, truck or SUV.

AIR-I45613D
Rev.06.16.20