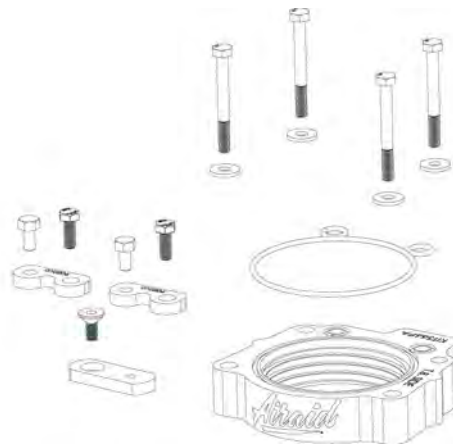




510-566 INSTALLATION INSTRUCTIONS
00-02 Tundra 4.7L
01-02 Sequoia 4.7L
98-02 Land Cruiser, LX470 4.7L

Thank you for purchasing the Airaid Throttle Body Spacer. Please read the instruction manual carefully before proceeding with the installation. Your Airaid Throttle Body Spacer was carefully inspected and packaged. Check that no parts are missing, or were damaged during shipping. If you need any assistance please call 1-800-858-3333 to speak with a representative in our Customer Service Center before returning the product.

Thank you for selecting AIRAID.



THROTTLE BODY SPACERS FOR VEHICLES LISTED ARE 50 STATE LEGAL. SEE AIRAID.COM FOR CARB STATUS ON EACH PART FOR A SPECIFIC VEHICLE.

Parts List		
AIR-KIR566PA	Aluminum Plate	(1)
AIR-KIT566H	Hardware	
	"O" Rings	(3)
	8mm x 100mm Bolts	(2)
	8mm x 70mm Bolts	(2)
	Washers	(4)
	8mm Linkage Plates	(2)
	8mm x 30mm Bolts	(2)
	8mm x 12mm Bolts	(2)
	6mm Linkage Plate	(1)
	6mm x 16mm Flat Head Screw	(1)

Tools List
13mm Socket
3mm Hex Key
Standard Screwdriver

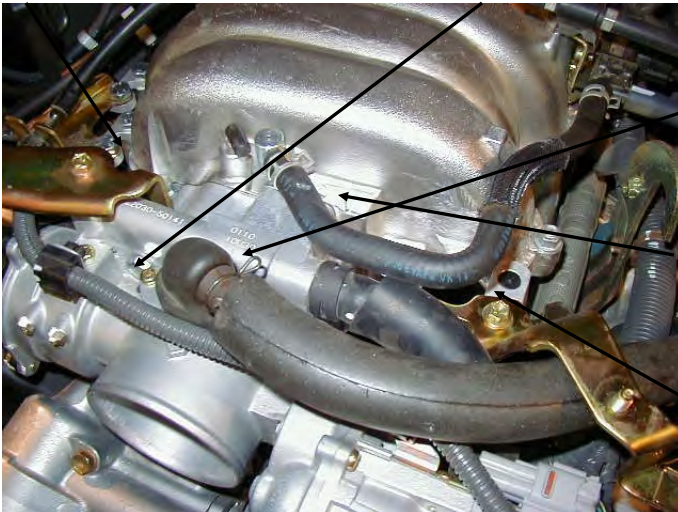
Installation Instructions. Read Me!

1. **DISCONNECT NEGATIVE (-) BATTERY CABLE.**
2. Remove air intake hose assembly.
3. Remove (2) nuts and studs for throttle linkage bracket. (Ref. "E")
4. Remove throttle body cover bracket. (Ref. "C")
5. Remove throttle body and install the spacer. (Ref. "D")
6. Reinstall the throttle and throttle body cover brackets. (Ref. "C", "E")
7. Inspect & Test throttle linkage for full Open & Closed travel before driving. Some cruise or kickdown cables may require adjustment. Please refer to your vehicles service manual for proper adjustment.
8. Reinstall air intake hose assembly.
9. Reconnect battery cable. Enjoy!

The sound of power...The "whistle" means its working!

Ref. "E"- (2) 8mm Linkage Plates
(2) 8mm x 30mm Bolts
(2) 8mm x 12mm Bolts

Ref. "D"- (2) 8mm x 70mm Bolts
(2) 8mm x 100mm Bolts
(4) Washers



Ref. "B"- Throttle Body

Ref. "A"- (1) Spacer
(3) "O" Rings

Ref. "C"- (1) 6mm Linkage Plate
(1) 6mm x 16mm Flat Head Screw

AIR-I51566C
Rev. 11.16.20