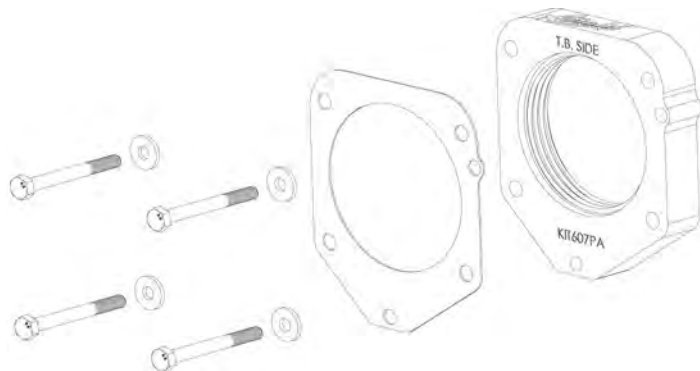




Installation Instructions
Part Number 510-607
Airaid Spacer For
05-06 Toyota Tundra/
Sequoia 4.7L



Parts List

AIR-KIT607PA	Aluminum Plate	(1)
AIR-KIT607G	Gasket	(1)
AIR-KIT607H	Hardware	
	6mmx70mm Bolt	(4)
	6mm Flat Washer	(4)

Tools Required For Installation

- 10mm Socket
- Ratchet and Extension
- Vice Grip Pliers (Stud Removal)

THROTTLE BODY SPACERS FOR VEHICLES LISTED ARE 50 STATE LEGAL. SEE AIRAID.COM FOR CARB STATUS ON EACH PART FOR A SPECIFIC VEHICLE.

Thank you for purchasing the Airaid Throttle Body Spacer. Please read the instruction manual carefully before proceeding with the installation. Your Airaid Throttle Body Spacer was carefully inspected and packaged. Check that no parts are missing, or were damaged during shipping. If you need any assistance please call 1-800-858-3333 to speak with a representative in our Customer Service Center before returning the product.

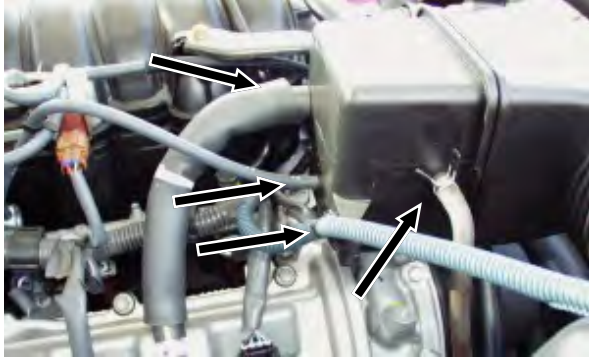
Thank you for selecting AIRAID.



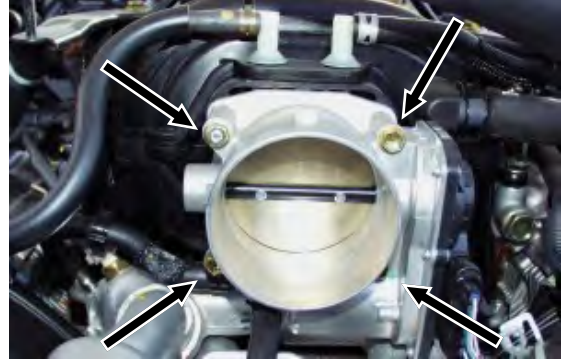
1. **Disconnect the negative battery cable!** Remove two 10mm nuts that hold the beauty cover to the engine. Set the beauty cover and nuts aside for re-installation later. Loosen the hose clamp that holds the intake tube to the air filter box.



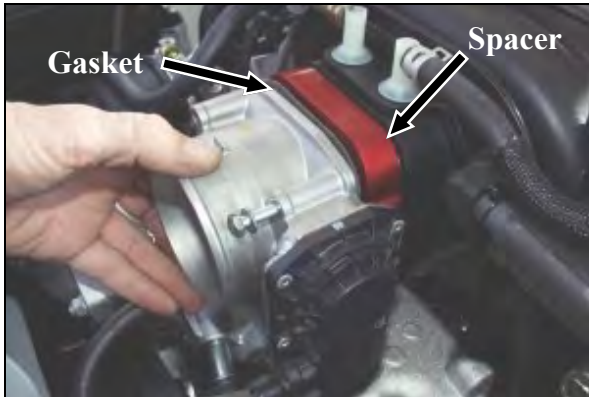
2. Loosen the hose clamp that holds the intake tube to the throttle body. Remove and save the bolt that holds the air conditioning line to the intake tube.



3. Disconnect the breather hose, and two vacuum lines from the back of the intake tube. Remove the clip from the back of the intake tube that holds the wiring harness, these will all be re-connected later. Remove the intake tube from the vehicle.



4. With a 10mm socket, remove three bolts and one nut from the throttle body. Slide the throttle body away from the intake manifold, and remove the remaining stud.



5. Install the Airaid spacer next to the intake manifold, and the fiber gasket next to the throttle body. Insert the four provided 6mm bolts, and washers, and tighten in a cross pattern, to the vehicle manufacturer's specifications.



6. Re-install the intake tube and tighten the hose clamps. Re-connect the vacuum lines, wiring harness clip, and breather hose. Re-install the bolt thru the clamp on the air conditioning hose into the intake tube. Re-install the beauty cover and nuts.
Re-connect the negative battery cable!

The sound of power...The "whistle" means its working!

AIR-I51607C
Rev.12.10.20