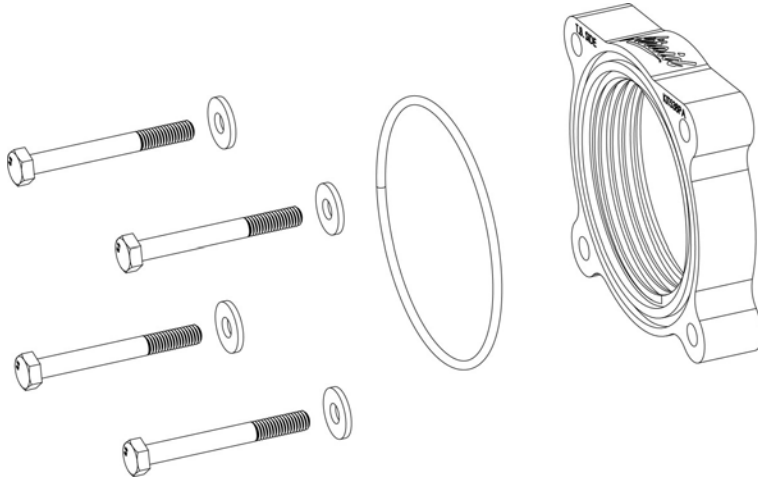




Installation Instructions
Part Number 520-538
Airaid Spacer For
2004-13 Nissan Titan
2005-10 Nissan Armada
2004-10 Infinity QX56

Parts List

AIR-KIT538PA Aluminum Plate	(1)
AIR-KIT538H Hardware	
O-Ring	(1)
6mm x 70mm Hex Bolts	(4)
6mm Flat Washers	(4)



Tools Required For Installation

5/16" & 10mm Sockets
5mm Allen Wrench
Ratchet & Extension

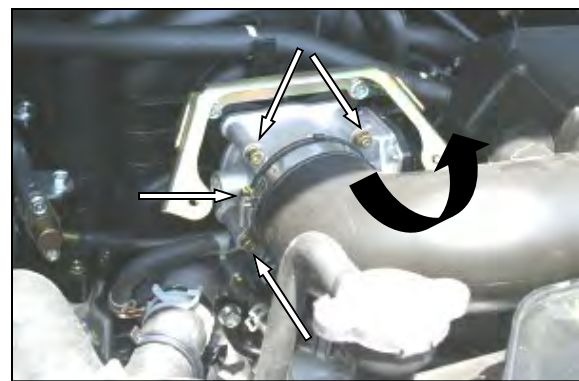
INTAKE SYSTEMS FOR VEHICLES LISTED ARE 50
STATE LEGAL. SEE AIRAID.COM FOR CARB STATUS
ON EACH PART FOR A SPECIFIC VEHICLE.

Thank you for purchasing the Airaid Throttle Body Spacer. Please read the instruction manual carefully before proceeding with the installation. Your Airaid Throttle Body Spacer was carefully inspected and packaged. Check that no parts are missing, or were damaged during shipping. If you need any assistance please call 1-800-858-3333 to speak with a representative in our Customer Service Center before returning the product.

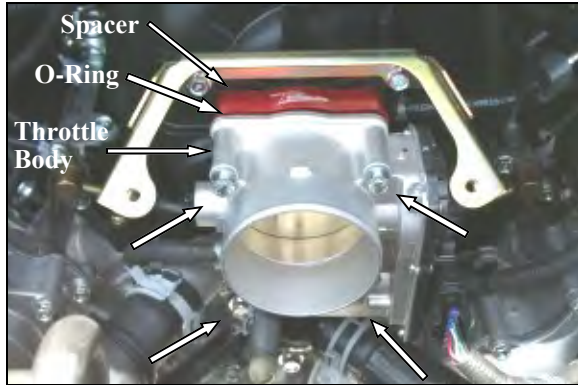
Thank you for selecting AIRAID.



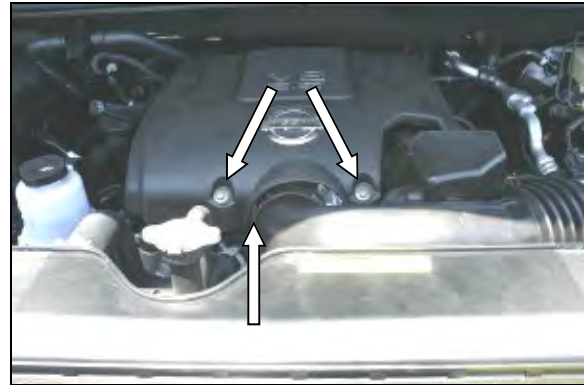
1. **Disconnect the negative battery cable!**
Using a 10mm socket, remove the two bolts at the front of the engine beauty cover. Remove the engine beauty cover by lifting up and releasing it from the grommets.



2. Using a 5/16" socket, loosen the hose clamp on the throttle body end of the factory air intake tube. Move the factory air intake tube up and out of the way of the throttle body. Using a 5mm allen wrench, remove the 4 bolts that hold the throttle body to the intake manifold.



3. Install the O-Ring (#2) into the groove on the Airaid Spacer (#1). Install the spacer between the intake manifold, and the throttle body with the O-Ring facing the throttle body. Insert four 6mm x 70mm Hex Bolts (#3), and 6mm Flat Washers (#4) through the throttle body, Airaid Spacer, and into the intake manifold. Using a 10mm socket, tighten all 4 throttle body bolts evenly, to the manufacturer's specifications.
Do Not Over Tighten The Bolts!



4. Reinstall the factory intake tube, and tighten the hose clamp. Reinstall the engine beauty cover, and tighten the factory bolts.
Re-connect the negative battery cable!

The sound of power...The "whistle" means its working!

Contact your nearest Airaid dealer for an Airaid Intake System for your car, truck or SUV.

AIR-152538D
Rev. 6.29.2020