



## Installation Instructions

For Part Numbers:

520-130	720-130 Airaid Oiled Media Filter
521-130	721-130 Airaid SynthaMax Media Filter - Red
522-130	722-130 Airaid SynthaMax Media Filter - Black

2000-04 Nissan Frontier/Xterra 3.3L V6



### Component Identification

1.	Airaid Premium Filter	1
2.	Rear Dam	1
3.	Top Dam	1
4.	Weather Strip	1
5.	Adapter Tube	1
6.	Gasket	1
7.	Dam Extension	1
8.	PCV Line Filter	1
9.	6-32x5/16 Screw	5
10.	6-32 Keps Nut	5
11.	#6 Flat Washer	5
12.	1/4-20x7/8 Hex Bolt	4
13.	1/4 Flat Washer	8
14.	1/4-20 Lock Nuts	4
15.	Airaid Decal	1

Full color instructions can be viewed on our web site at [Airaid.com](http://Airaid.com).

### Installation Instructions. Read Me!

- 1) DISCONNECT NEGATIVE (-) BATTERY CABLE.
- 2) Remove air box top lid.
  - a) Loosen hose clamp at Mass Air Flow (M.A.F.) meter and airbox lid. See FIG. #1
  - b) Disconnect MAF sensor wire.
  - c) Unclip air box lid.
  - d) Remove lid and filter from vehicle. Set aside for later modification. See FIG. #2
- 3) Remove, modify and replace air box base.
  - a) Unbolt three 10mm bolts that fasten the air box base and remove base from vehicle.
  - b) Remove and discard tube from air box base. See FIG #3
  - c) Remove insulation pad from air box base. Use a pliers to remove the securing clips. See FIG #4
  - d) Replace modified air box base in vehicle.
- 4) Assemble AIRAID.
  - a) Unbolt MAF from air box lid. See FIG#5
  - b) Assemble the two Airaid dams using the hardware provided. See FIG#6, 6a, 8
  - c) Position and bolt the MAF and Filter Adapter Tube onto the Airaid dam with the supplied gasket and hardware. See FIG# 6, 6a, 9
  - d) Position air filter on to adapter. Finger tighten for now.
- 5) Install AIRAID.
  - a) Position over air box base. Rotate filter as necessary to clear air box base. Snap onto base.
  - b) (Skip this step for 2001 and earlier models) Install the dam extension using the hardware provided as shown. See FIG# 7, 7a
  - c) Reconnect MAF to inlet tube and tighten clamp.
  - d) Reconnect MAF wire harness.
  - e) Press weather seal onto air dam.

Finishing up AIRAID Installation. Apply the Airaid Foil Decal onto the Panel as shown.

- 6)
  - a) Check for any foreign objects in the air flow path.
  - b) Reconnect battery cable. Double check your work.

**Note: If your vehicle is equipped with a breather hose that is disconnected after installation, insert the small filter provided into the hole in the cold air dam (on the filter side of the dam). Secure hose to the nipple on the filter that is protruding through the panel.**



FIG. #1



FIG. #2



FIG. #3





FIG. #4

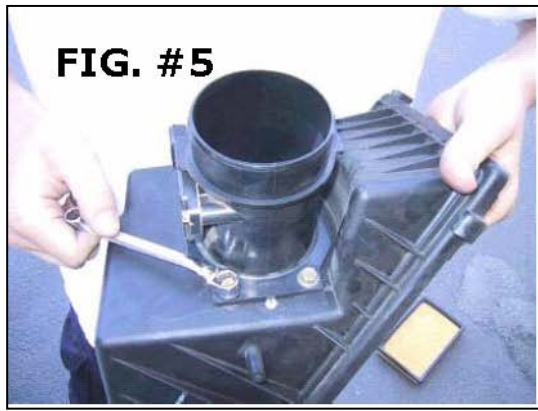


FIG. #5



FIG. #6



FIG. #6a



FIG. #7



FIG. #7a



For your Oiled media filter we suggest using the AIRAID Filter Tune-Up Kit!



P/N 790-551 Aerosol Spray  
P/N 790-550 Squeeze Spray

**SynthaMax**

**Do Not Oil**

Synthamax Air Filters do not require oil. Service air filter as needed by cleaning with common non-petroleum all-purpose household cleaner and water. Simple Green®, Formula 409® or equivalent works great. Apply cleaner to outside of air filter and allow to soak. Then flush filter clean from the inside out with a garden hose and repeat steps if necessary. Do not apply high pressure water or air to clean filter. Allow filter to air dry and reinstall.



FILTER IDENTIFICATION

720-130 Airaid Oiled Media

722-130 Airaid SynthaMax Dry Media - Black

721-130 Airaid SynthaMax Dry Media - Red

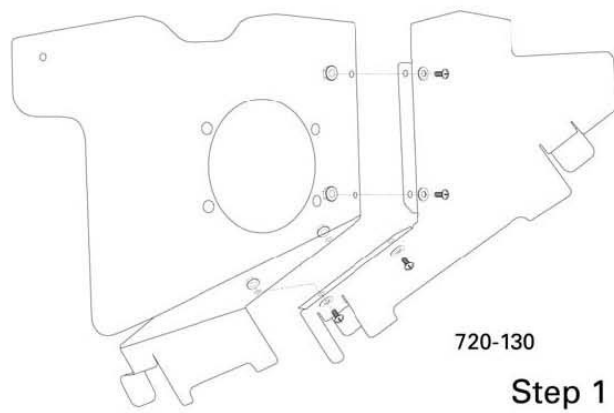
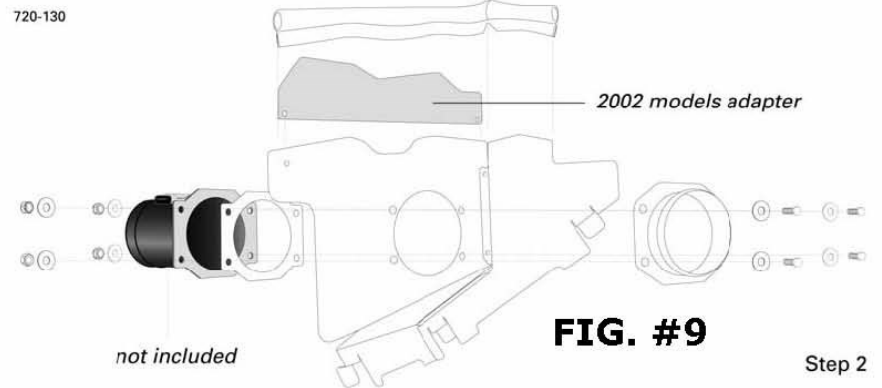


FIG. #8

720-130

Step 1



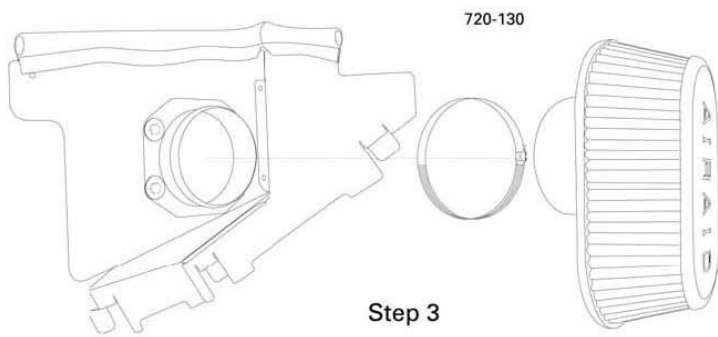
720-130

2002 models adapter

not included

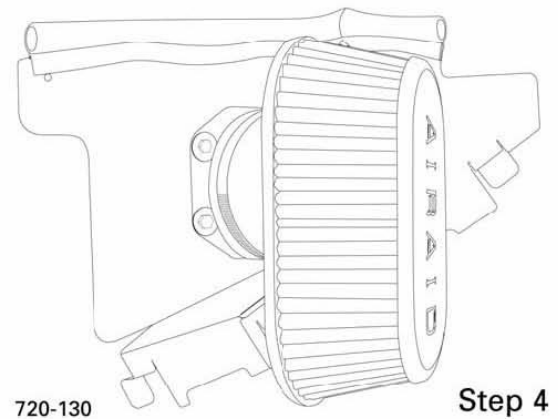
FIG. #9

Step 2



720-130

Step 3



720-130

Step 4

Thank you for purchasing the Airaid Intake System. Contact Airaid @ (800) 498-6951 8:00 AM - 5:00 PM MST weekdays for questions regarding fit or instructions that are not clear to you. Your Airaid Intake System was carefully inspected and packaged. Check that no parts are missing, or were damaged during shipping. If any parts are missing, contact Airaid. The air filter element is protected from direct exposure to water and debris; care should be taken not to drive through deep water. WATER INGESTION IS THE DRIVERS RESPONSIBILITY! The air filter is reusable and should be cleaned periodically.