



## Installation Instructions

For Part Numbers:

860-425 Airaid Oiled Media Filter

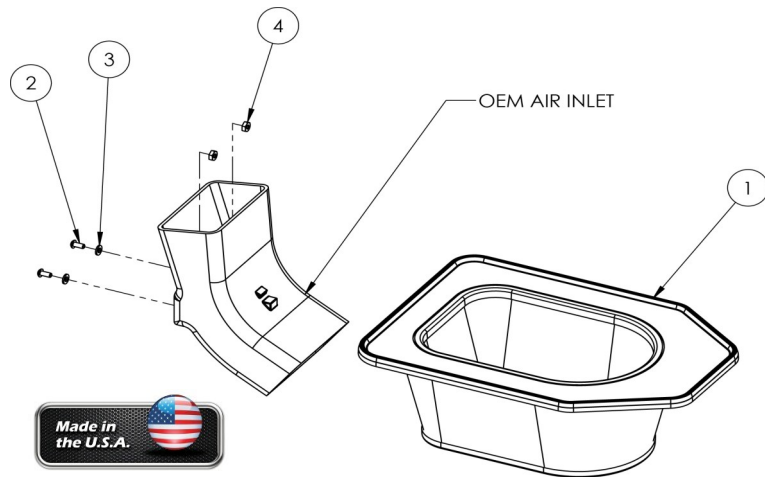
861-425 SynthaMax Dry Media Filter - Red

862-425 SynthaMax Dry Media Filter - Black

863-425 SynthaMax Dry Media Filter - Blue

### Airaid Direct Fit Filter

### 2011-14 Jeep Wrangler 3.6L V6



#### Component Identification

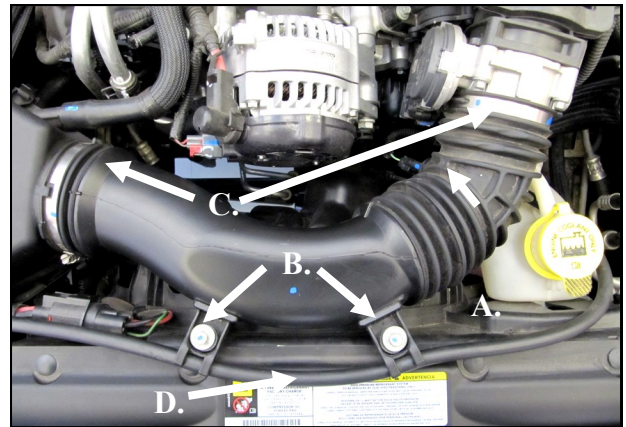
1.	Airaid Premium Filter	1
2.	8-32 x .38L BHCS	2
3.	#8 Flat Washer	2
4.	#8 Kep Nut	2

**NOTE:** Installation of this air filter requires modification of the OEM airbox. Please read the installation instructions in their entirety before beginning the process.

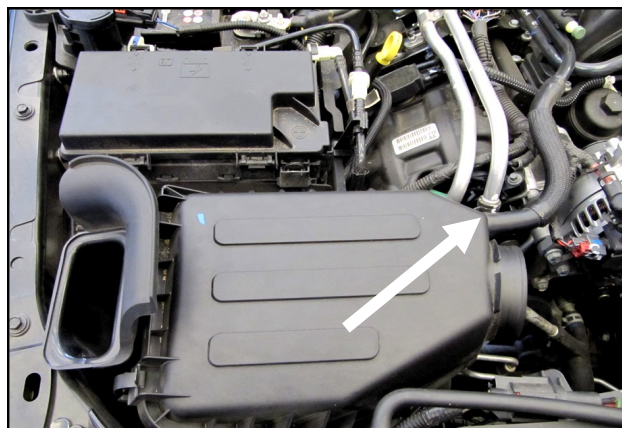


**Disconnect The Negative Battery Terminal!**

1. Remove the engine cover and set it aside.



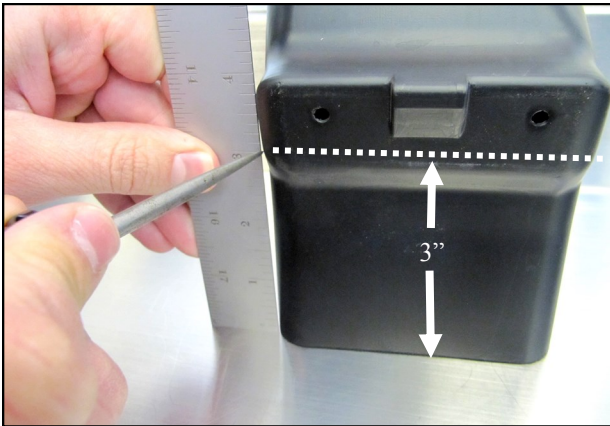
2. A.) Disconnect the air temp sensor in the factory intake. B.) Remove the two 6 mm bolts holding the intake tube to the fan Shroud. C.) Loosen the Clamps on both sides of the factory intake tube. D.) Unclip the coolant line from the intake tube and remove it from the vehicle.



3. Disconnect the crankcase breather line in the top of the airbox. Remove the entire airbox as an assembly by unseating it from the mounting grommets in the inner fender and lifting upward.



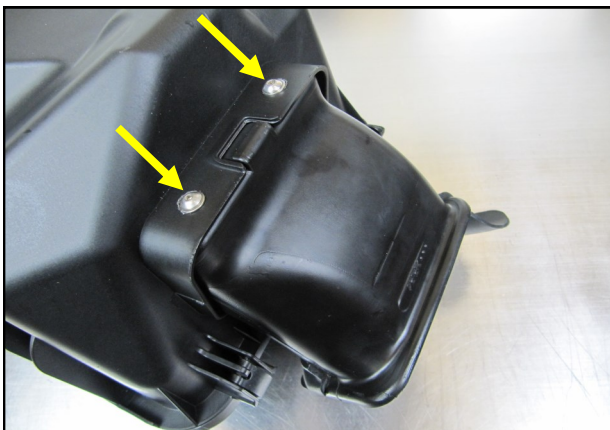
4. Drill out the rivet heads on the factory airbox and remove the air scoop. Remove any remaining rivet pieces from the air box and discard them.



5. Set the factory air scoop on a workbench and mark all four corners at the three inch mark using a scratch awl. Using a straight edge and the awl, scribe a line connecting all four corners.



6. Firmly place the air scoop into a bench vice and cut along the line created in step 3 using a hack saw or equivalent.



7. Re insert the modified air scoop into the air box and secure it using the # 8 Screws, Washers, and Nuts.



8. Install the Airaid Premium filter into the airbox and re assemble the intake system in the reverse order in which they were removed.

For your Oiled media filter we suggest using the AIRAID Filter Tune-Up Kit!



P/N 790-551 Aerosol Spray  
P/N 790-550 Squeeze Spray



# SynthaMax®

## Do Not Oil

Synthamax Air Filters do not require oil. Service air filter as needed by cleaning with common non-petroleum all-purpose household cleaner and water. Simple Green®, Formula 409® or equivalent works great. Apply cleaner to outside of air filter and allow to soak. Then flush filter clean from the inside out with a garden hose and repeat steps if necessary. Do not apply high pressure water or air to clean filter. Allow filter to air dry and reinstall.