

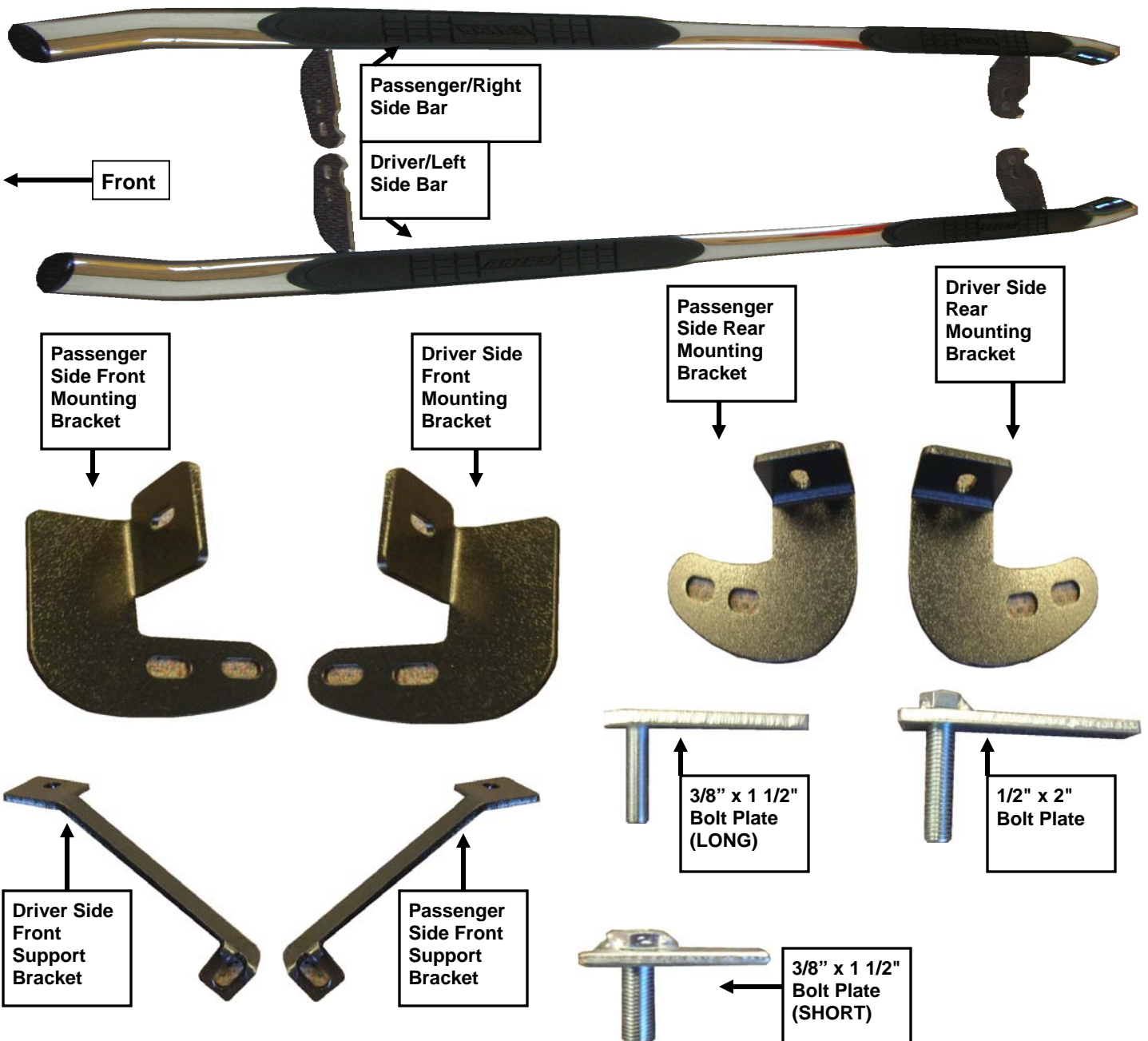
# INSTALLATION INSTRUCTIONS

202005/202005-2

2001-07 TOYOTA HIGHLANDER  
2004-09 LEXUS RX330/350/400/400H

## PARTS LIST:

Qty	Description	Qty	Description
1	Driver/Left Side bar	18	1/2" Flat Washers
1	Passenger/Right Side Bar	8	1/2" X 1 1/2" Hex Bolt
1	Driver/Left Front Mounting Bracket	10	1/2" Lock Nuts
1	Passenger/Right Front Mounting Bracket	4	3/8" Flat Washers
1	Driver/Left Rear Mounting Bracket	4	3/8" Lock Nuts
1	Passenger/Right Rear Mounting Bracket	2	1/2" X 2" Bolt Plate
1	Driver/Left Front Support Bracket	2	3/8" X 1 1/2" Bolt Plate (LONG)
1	Passenger/Right Front Support Bracket	2	3/8" X 1 1/2" Bolt Plate (SHORT)



## PROCEDURE:

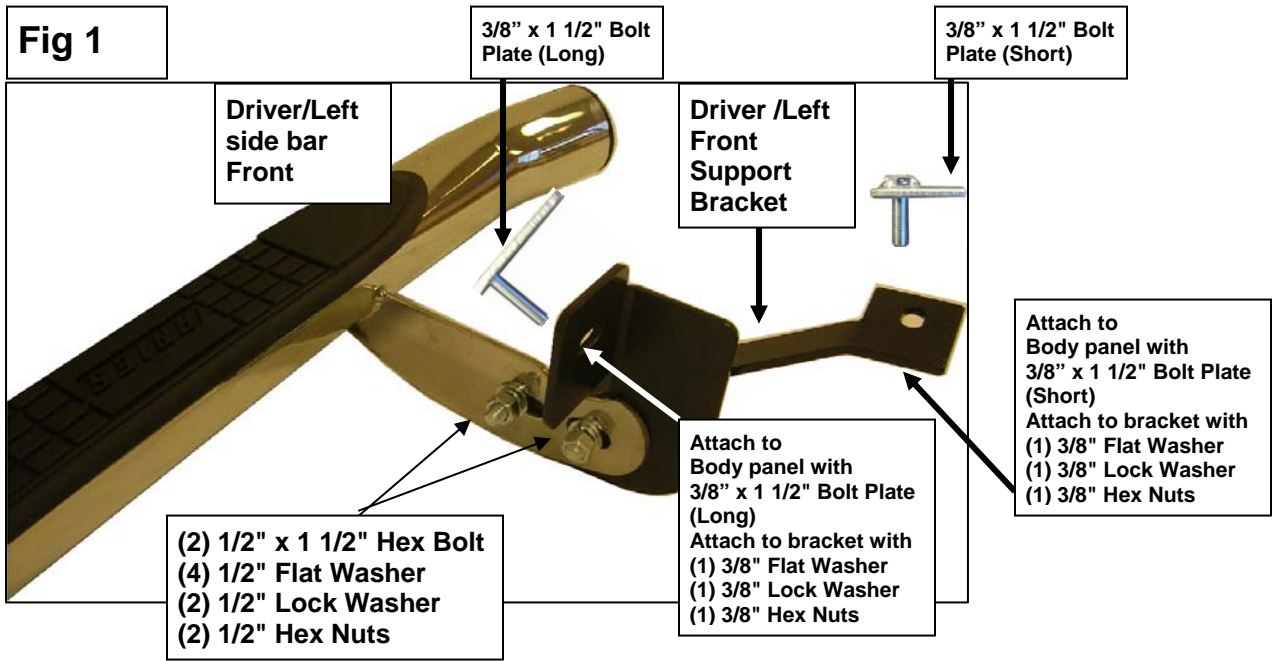
- 1. REMOVE CONTENTS FROM BOX. VERIFY ALL PARTS ARE PRESENT. READ INSTRUCTIONS CAREFULLY BEFORE STARTING INSTALLATION.**
2. Refer to Diagram above to Identify Driver/Left side and Passenger/Right side mounting brackets.
3. Begin to install the front Driver/Left side mounting brackets. From underneath the vehicle, insert the 3/8" x 1 1/2" Bolt Plate (**LONG**) on the side of the body panel **IMPORTANT** Hold Bolt Plate tight to make sure it won't fall into body panel, than carefully place Driver/Left front mounting bracket over the Bolt Plate and secure it with (1) 3/8" flat washer (1) 3/8" lock washer and (1) 3/8" Hex nut. Snug but do not tighten hardware at this time. (**Fig1**) shows brackets attached to side bar and the way they will be attached to vehicle.
4. Locate the Upper factory hole on the floor panel and insert the 3/8" x 1 1/2" Bolt Plate (**SHORT**). Place the Driver/Left front support bracket over the bolt plate and secure it with the with (1) 3/8" flat washer (1) 3/8" lock washer and (1) 3/8" Hex nut. Snug but do not tighten hardware at this time. (**Fig1**) shows brackets attached to side bar and the way they will be attached to vehicle.
5. Proceeding to install the Driver/Left rear Mounting brackets by first Inserting 1/2" x 2" Bolt Plate threw the rear hole in the factory floor panel, Place the Driver/Left rear mounting bracket over the bolt plate and secure it with the with (1) 1/2" flat washer (1) 1/2" lock washer and (1) 1/2" Hex nut. Snug but do not tighten hardware at this time. (**Fig2**) shows brackets attached to side bar and the way they will be attached to vehicle.
6. Select Driver/Left side bar and place on the inner side of the mounting brackets you just installed, Align rear holes and secure side bar with (2) 1/2" x 1 1/2" Hex Bolts (4) 1/2" flat washers (2) 1/2" lock washers and (2) 1/2" Hex nuts. Snug but do not tighten hardware at this time.
7. Align front holes of the side bar with the mounting bracket and (**front support bracket lower attach to inner hole**), (**Fig 3**) shows brackets attached to front support bracket, secure with (2) 1/2" x 1 1/2" Hex Bolts (4) 1/2" flat washers (2) 1/2" lock washers and (2) 1/2" Hex nuts. Snug but do not tighten hardware at this time.
8. Level and align Sidebar properly; then tighten all hardware at this time.
9. Repeat steps 3-8 for Passenger/Right Sidebar
10. Do periodic inspections to the installation to make sure all hardware is secure and tight.

**To protect your investment**, wax this product after installing. Regular waxing is recommended to add a protective layer over the finish. Do not use any type of polish or wax that may contain abrasives that could damage the finish.

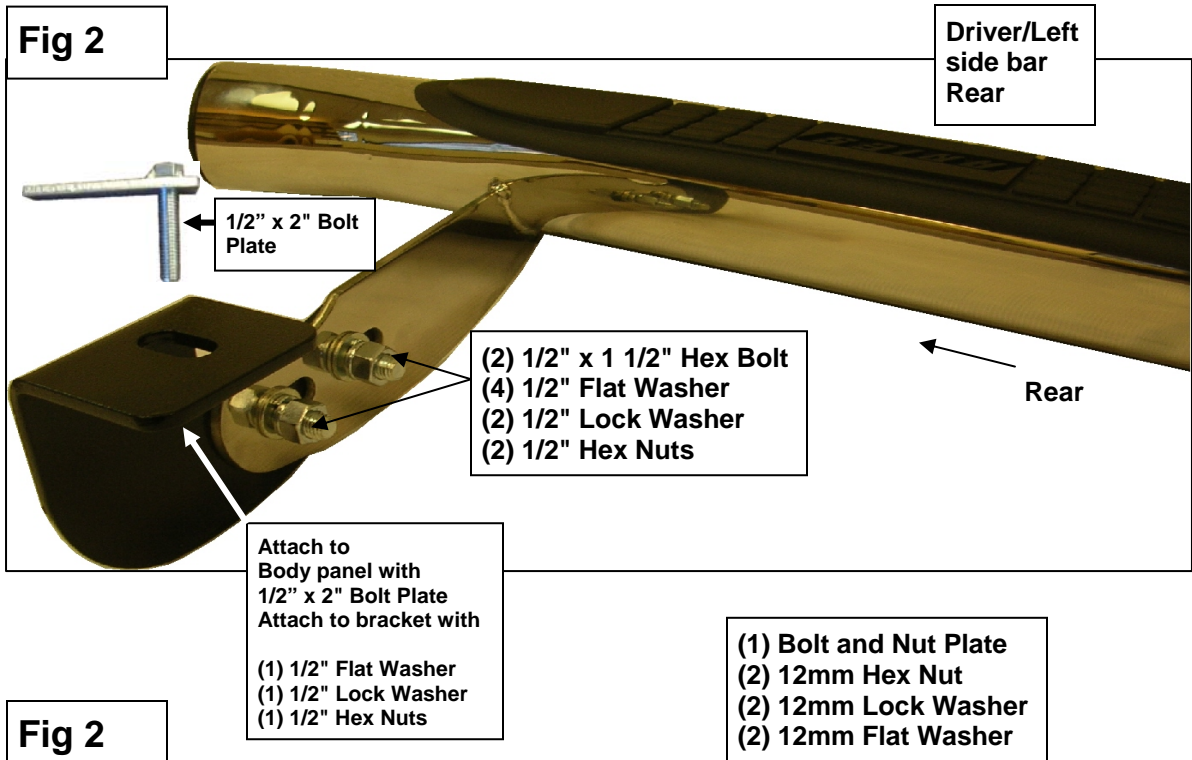
**For stainless steel:** Aluminum polish may be used to polish small scratches and scuffs on the finish. Mild soap may be used also to clean the Sidebar.

**For gloss black finishes:** Mild soap may be used to clean the Sidebar.

**Fig 1**



**Fig 2**



**Fig 2**

