



---

## **INSTALLATION INSTRUCTIONS**

SIDE BAR PART #205006/ 205006-2  
2000-2004 DODGE DAKOTA QUAD CAB 2/4WD

### **PARTS LIST**

(2) SIDE TUBES WITH STEPS	(2) ½" – 13 x 2 HEX HEAD BOLT
(2) FRONT MOUNT BRACKETS	(2) ½" – 13 x 7½" HEX HEAD BOLT
(2) FRONT MOUNT BRACES	(8) ½" FLAT WASHER
(2) REAR MOUNT BRACKETS	(4) ½" LOCK WASHER
(2) ½" – 13 x 1½" HEX HEAD BOLT	(2) ½" HEX NUT

### **PROCEDURE**

1. Begin installation by working on driver side of the vehicle (refer to Figures 1.1- 1.3)
2. Install Mount Brackets to underside of vehicle body mounts using factory bolts.
3. Attach Mount Brace to bottom of vehicle frame rail using (1) ½" – 13 x 7½" hex head bolt, (1) ½" lock washer, (2) ½" flat washers, and (1) ½" hex nut. The slot on the short end of the Brace Bracket should align with the Front Mount Bracket slot.  
**Note:** The frame rail hole is located just to the right of the front body mount.
4. Fasten front side of tube to Mount Bracket using (1) ½" – 13 x 2 hex head bolt, (1) ½" lock washer, and (1) ½" flat washer. Fasten rear side with (1) ½" – 13 x 1½" hex head bolt, and remaining washers.  
**Note:** Step Pad closer to the end of the tube goes to the rear (see Figure 1.1).
5. Torque body mount bolts and the ½" – 13 x 7 ½" bolt to 55 FT-LBS and the remaining ½" fasteners to 65 FT-LBS.
6. Repeat process for passenger side of vehicle to complete installation

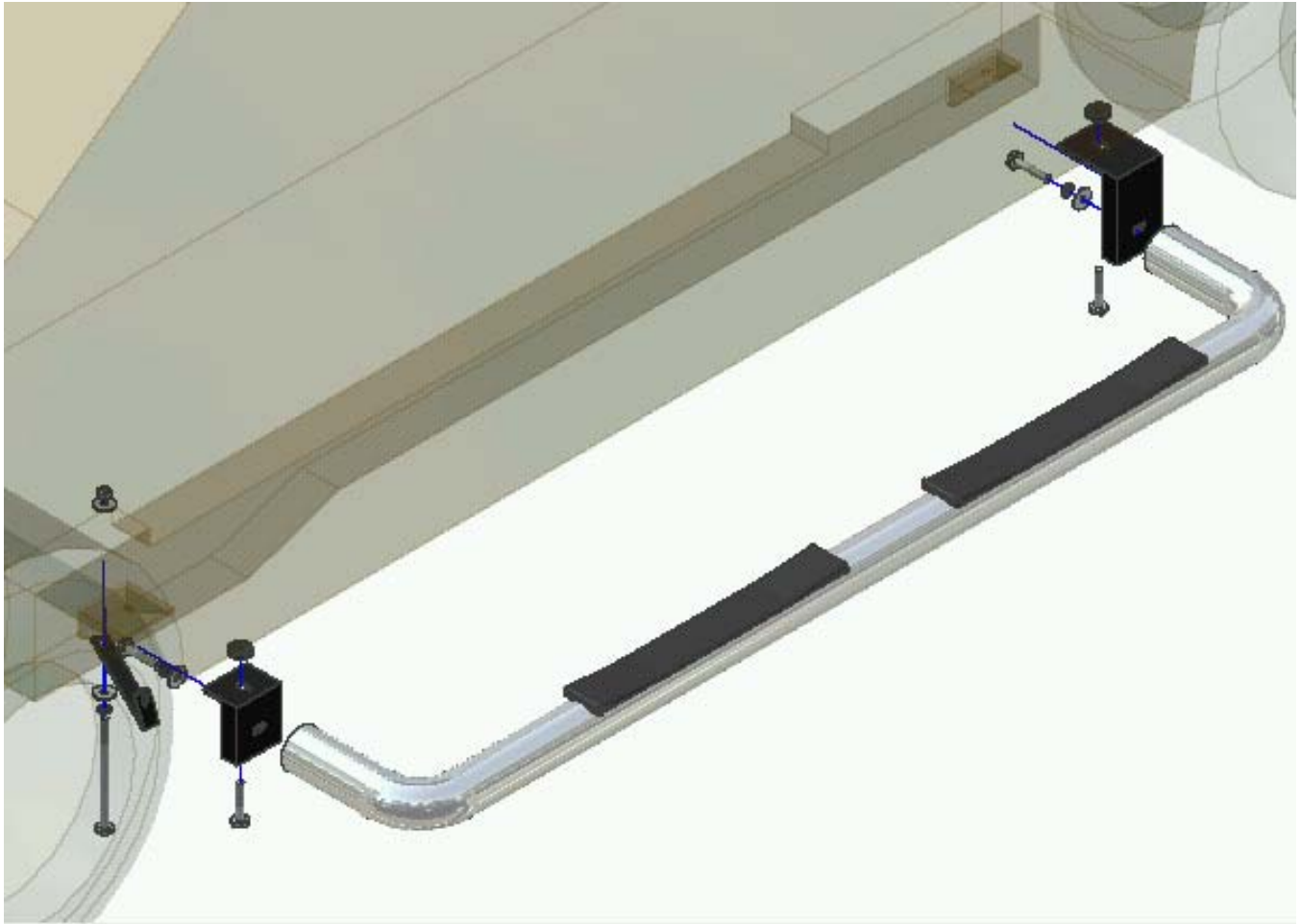


Figure 1.1 - Front Driver-Side View

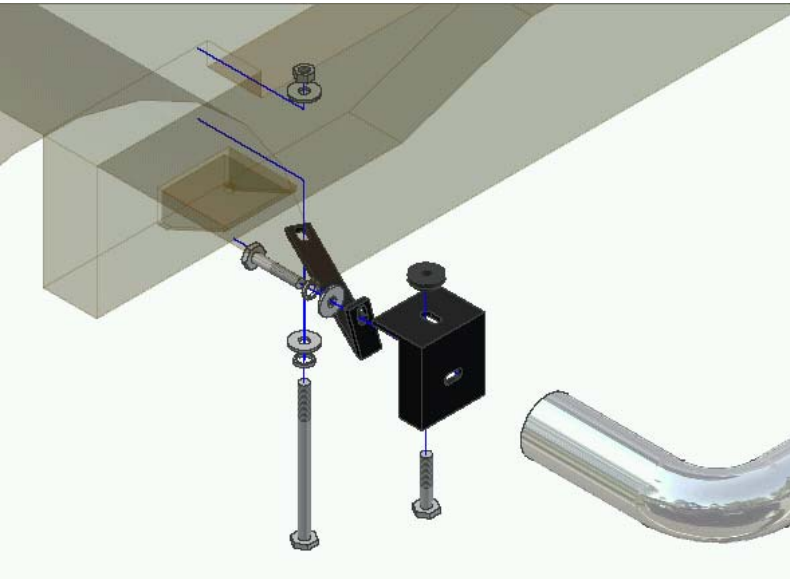


Figure 1.2 - Front Bracket

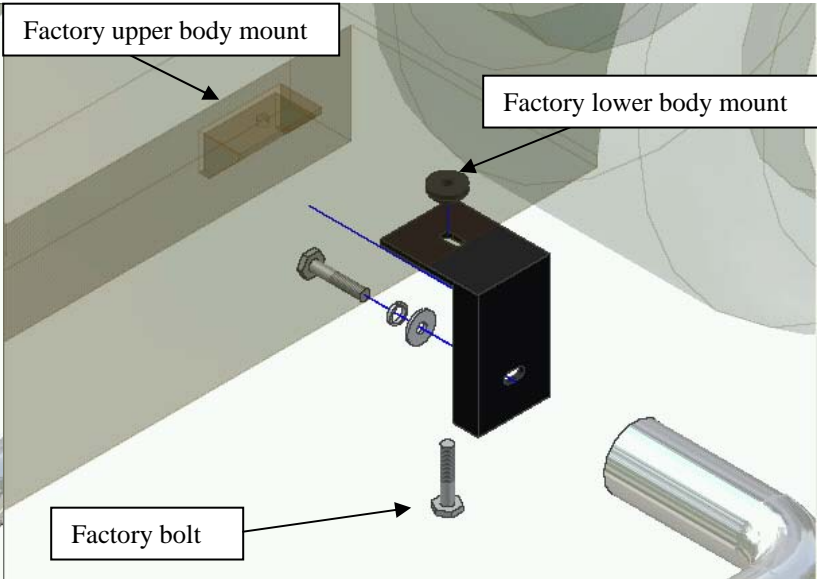


Figure 1.3 - Rear Bracket