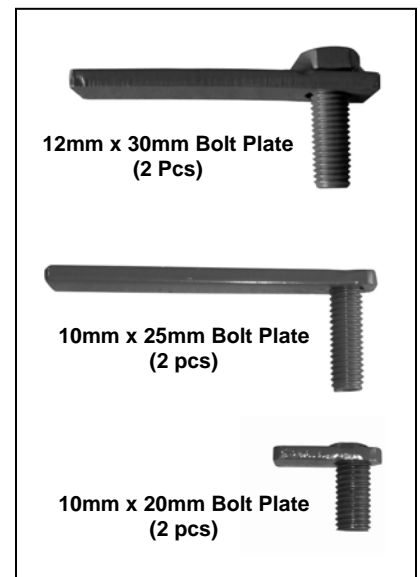
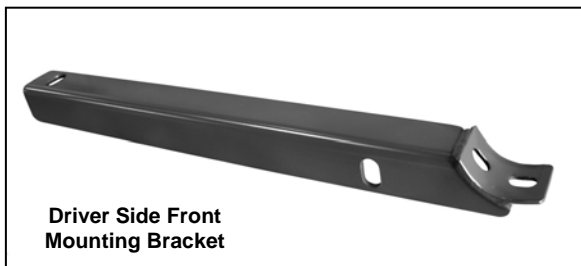
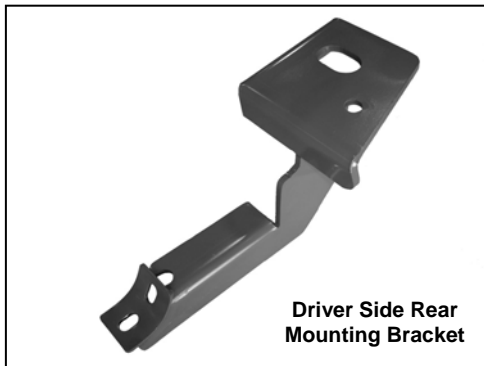


**ARIES AUTOMOTIVE**  
**SIDEBAR INSTALLATION INSTRUCTIONS**  
**2008-10 NISSAN ROGUE**  
**PART # 209010/209010-2**

**PARTS LIST:**

|   |  |    |  |
|---|--|----|--|
| 1 | Driver/Left Sidebar                    | 10 | 8-1.25mm x 30mm Hex Head Bolts         |
| 1 | Passenger/Right Sidebar                | 10 | 8mm Lock Washers                       |
| 1 | Driver/Left Front Mounting Bracket     | 10 | 8mm ID x 25mm OD x 3mm Flat Washers    |
| 1 | Passenger/Right Front Mounting Bracket | 2  | 10-1.50mm x 30mm Hex Head Bolts        |
| 1 | Driver/Left Rear Mounting Bracket      | 6  | 10mm Lock Washers                      |
| 1 | Passenger/Right Rear Mounting Bracket  | 6  | 10mm Hex Nuts                          |
| 1 | Driver/Left Front Support Bracket      | 8  | 10mm ID x 25mm OD x 2mm Flat Washers   |
| 1 | Passenger/Right Front Support Bracket  | 2  | 12mm Lock Washers                      |
| 2 | 10-1.50mm x 20mm Bolt Plates           | 2  | 12mm Hex Nuts                          |
| 2 | 10-1.50mm x 25mm Bolt Plates           | 2  | 12mm ID x 50mm OD x 3mm Fender Washers |
| 2 | 12-1.75mm x 30mm Bolt Plates           |    |  |



## PROCEDURE:

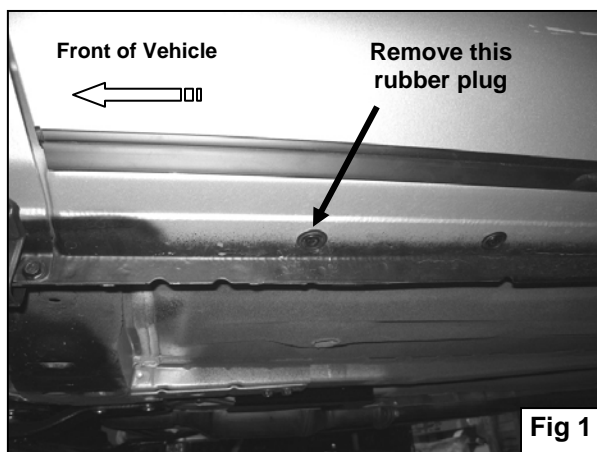
1. **REMOVE CONTENTS FROM BOX. VERIFY ALL PARTS ARE PRESENT. READ INSTRUCTIONS CAREFULLY BEFORE STARTING INSTALLATION.**
2. Remove the front rubber plug in the bottom of the vehicle's body. Insert (1) 10mm x 20mm Bolt Plate with the metal plate facing the rear of the vehicle, once inserted push Bolt Plate towards the front of the vehicle to fully engage (**Figure 1**).
3. Loosely attach driver side Support Bracket to already inserted Bolt Plate using the included (1) 10mm Lock Washer, (1) 10mm Flat Washer, and (1) 10mm Hex Nut (**Figure 2**).
4. Locate the two factory bolts in the front of frame rail, and then remove the one towards the rear of the vehicle (**Figure 3**).
5. Partially attach the driver side front Mounting Bracket to the existing rear factory bolt location using the included (1) 8mm x 30mm Hex Head Bolt (this replaces the factory bolt removed in step four), (1) 8mm Lock Washer, and (1) 8mm Flat Washer (**Figure 4**).
6. Attach the driver side front Mounting Bracket to Support Bracket using the included (1) 10mm x 30mm Hex Head Bolt, (1) 10mm Lock Washer, (1) 10mm Hex Nut, and (2) 10mm Flat Washers. Do not tighten at this time (**Figure 5**).
7. There are three factory holes in the rear floor panel, one oval and two round. Insert (1) 12mm x 30mm Bolt Plate through slotted factory hole and (1) 10mm x 25mm Bolt Plate through larger round factory hole with the metal plate facing the rear of the vehicle, once inserted push Bolt Plates towards the front of the vehicle to fully engage (**Figure 6**).
8. Partially attach driver side rear Mounting Bracket to already inserted Bolt Plates using the included (1) 12mm Lock Washer, (1) 12mm Fender Washer, (1) 12mm Hex Nut, (1) 10mm Lock Washer, (1) 10mm Flat Washer, and (1) 10mm Hex Nut (**Figure 7**).
9. Position driver Sidebar onto Mounting Brackets and attach it using the included (4) 8mm x 30mm Hex Head Bolts, (4) 8mm Lock Washers, and (4) 8mm Flat Washers (**Figure 5**). Do not tighten at this time.
10. Adjust Sidebar properly, and then tighten all hardware at this time. **IMPORTANT:** Before tighten the front Support Bracket and the Rear Mounting Bracket to vehicle, make sure that Bolt Plates are fully engaged.
11. Repeat steps 2 – 10 for passenger Sidebar.
12. Do periodic inspections to the installation to make sure that all hardware is secure and tight.

**To protect your investment**, wax this product after installing. Regular waxing is recommended to add a protective layer over the finish. Do not use any type of polish or wax that may contain abrasives that could damage the finish.

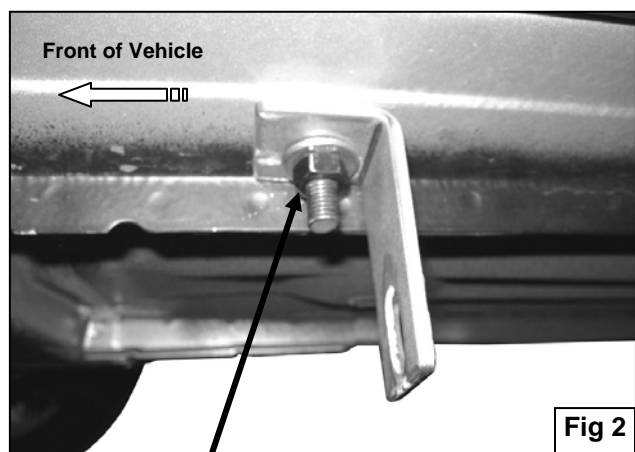
**For stainless steel:** Aluminum polish may be used to polish small scratches and scuffs on the finish. Mild soap may be used also to clean the Sidebar.

**For gloss black finishes:** Mild soap may be used to clean the product.

### **(Driver Side Installation Shown)**

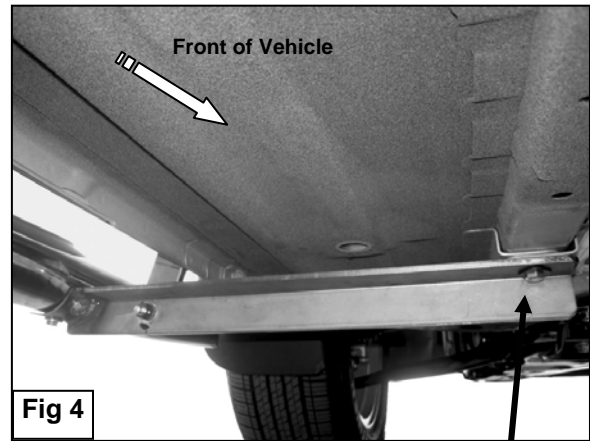
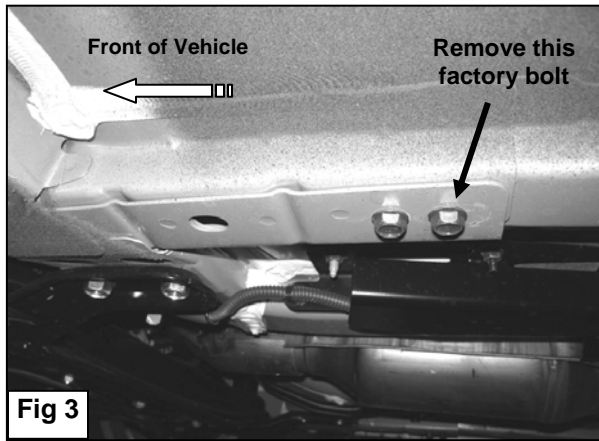


**Fig 1**

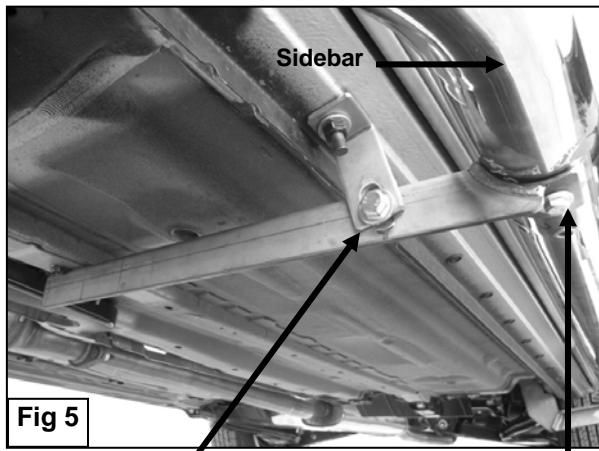


**Fig 2**

10mm x 20mm Bolt Plate  
10mm Lock Washer  
10mm Flat Washer  
10mm Hex Nut

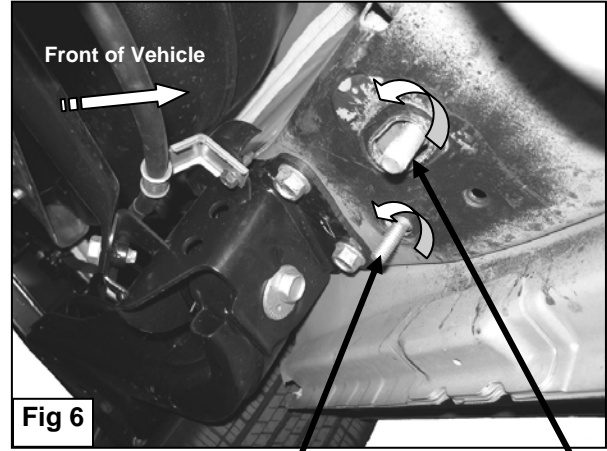


8mm x 30mm Hex Bolt  
8mm Lock Washer  
8mm Flat Washer



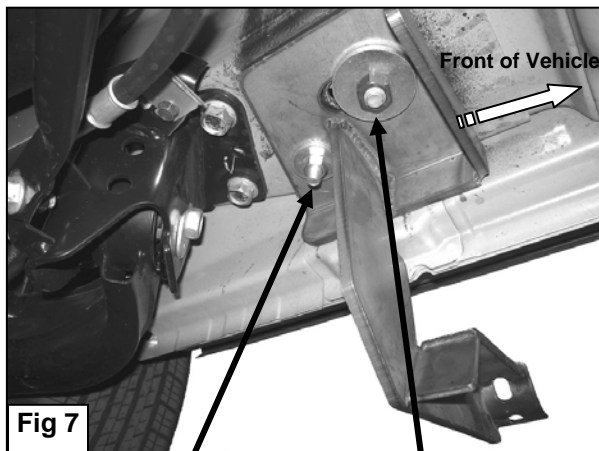
10mm x 30mm Hex Bolt  
10mm Lock Washer  
10mm Flat Washers  
10mm Hex Nut

8mm x 30mm Hex Bolt  
8mm Lock Washer  
8mm Flat Washer



10mm x 25mm Bolt Plate

12mm x 30mm Bolt Plate



(10mm Bolt Plate)  
10mm Lock Washer  
10mm Flat Washer  
10mm Hex Nut

(12mm Bolt Plate)  
12mm Lock Washer  
12mm Flat Washer  
12mm Hex Nut

