



(888) 800-ARIES

## INSTRUCTIONS

### MOUNT KIT 226004 (2003-04 HONDA ELEMENT)

<u>QTY.</u>	<u>CONTENTS</u>
2	OVAL SIDE TUBES
2	FRONT FRAME BRACKETS
2	FRONT BRACKETS
2	REAR FRAME BRACKETS
2	CENTER FRAME BRACKETS
20	FLANGE BOLTS
4	PLATE BOLTS
8	FLANGE NUTS
4	LG. FLANGE NUTS
4	PLASTIC WASHERS
2	METAL WASHERS
12	1/4" BOLTS
12	1/4" LOCK WASHERS
12	1/4" WASHERS
12	1/4" HEX NUTS

**STEP 1** REMOVE CONTENTS FROM BOX AND VERIFY ALL PARTS ARE PRESENT. READ INSTRUCTIONS COMPLETELY BEFORE BEGINNING.

**STEP 2** ATTACH ALL FRAME BRACKETS TO OVAL TUBES USING 1/4" HARDWARE AS SHOWN IN FIGURE 1.

**STEP 3** POSITION FRONT BRACKET AT THE LEFT FRONT SIDE STEP HOLDER AND INSTALL FOUR FLANGE BOLTS WITH FOUR SMALL FLANGE NUTS. DO NOT TIGHTEN YET. SEE FIGURE 2.

**STEP 4** INSTALL ONE PLASTIC WASHER HALFWAY INTO EACH PLATE BOLT FIGURE 3.

**STEP 5** INSERT THE HEAD OF THE PLATE BOLT INTO THE FRAME HOLE AS SHOWN IN FIGURE 4. HOLD THE BOLT BY THE THREADS AND ROTATE IT INTO POSITION, THEN PUSH THE PLASTIC WASHER AGAINST THE FRAME. INSTALL THE OTHER PLATE BOLT THE SAMEWAY.

**STEP 6** REMOVE THE FIVE CLIPS FORM UNDERNEATH THE VEHICLE. SEE FIGURE 5.

**STEP 7** POSITION THE LEFT SIDE STEP ON THE BODY AND INSTALL SIX FLANGE BOLTS (INSTALL ONE METAL WASHER TO THE UPPER CENTER FLANGE BOLTS) AND INSTAL THE TWO LARGE FLANGE NUTS. SEE FIGURE 5.

**STEP 8** TORQUE THE SMALL FLANGE NUTS INSTALLED IN STEP 1 TO 20.6 Nm (15.2 lb-ft)

**STEP 9** REPEAT STEPS 1 THROUGH 7 TO INSTALL THE RIGHT SIDE STEP.

FIGURE ONE (LEFT FRONT)

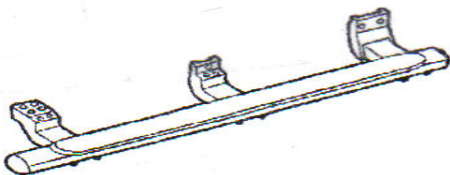


FIGURE 2

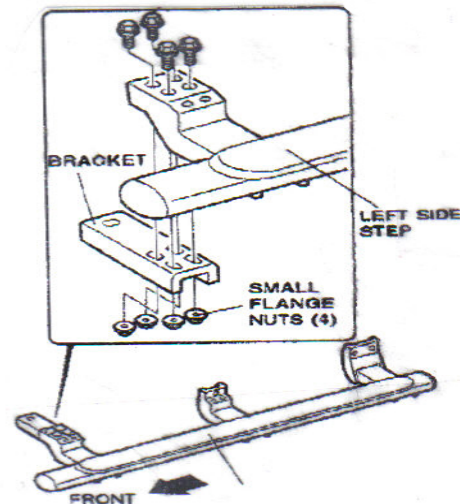


FIGURE THREE

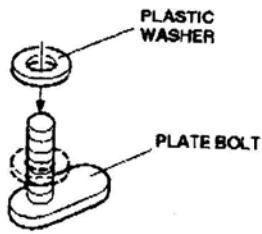


FIGURE 4

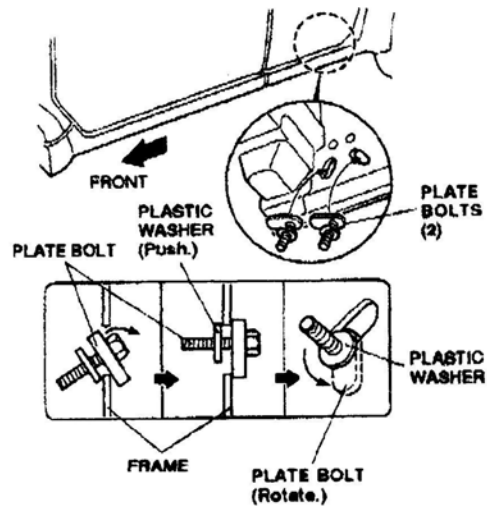
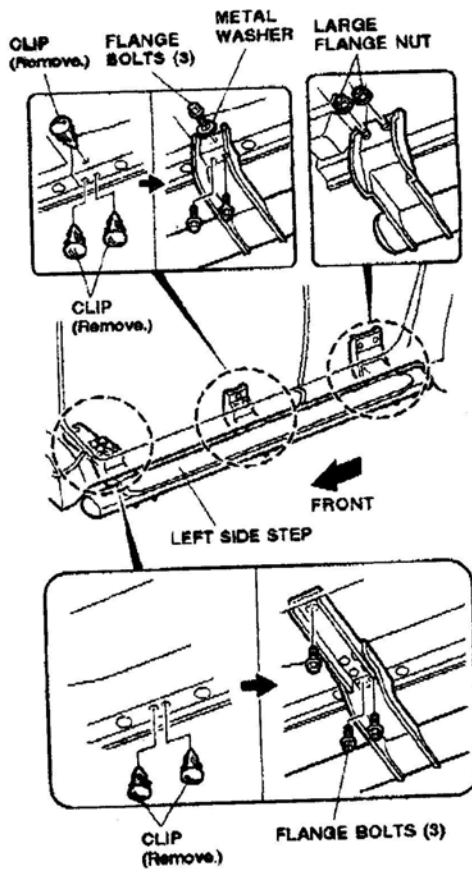


FIGURE 5



**FINISH PROTECTION-** ARIES PRODUCTS HAVE A HIGH FINISH THAT MUST BE MAINTAINED SUCH AS ANY OTHER HIGH FINISH PRODUCT ON THE VEHICLE. PROTECT THE FINISH WITH A NON-ABRASIVE AUTOMOTIVE WAX. THE USE OF SOAP, POLISH, OR WAX THAT CONTAINS ABRASIVES IS DETRIMENTAL, AS THE COMPOUNDS SCRATCH THE FINISH AND OPEN IT TO CORROSION.

**DISCLAIMER-** BUYER ASSUMES ALL RISK AND LIABILITY WHATSOEVER FROM THE INSTALLATION AND USE OF ARIES PRODUCTS. ARIES PRODUCTS ARE SOLD AS DECORATIVE ACCESSORIES AND SHOULD NOT BE RELIED UPON AS PROTECTION FOR THE VEHICLE OR OCCUPANTS IN THE EVENT OF A COLLISION OR ROLL OVER. ARIES AUTOMOTIVE ASSUMES NO LIABILITY FOR INJURY, LOSS, INCIDENTAL OR CONSEQUENTIAL DAMAGES IN THE EVENT OF A COLLISION OR ROLLOVER.