



## INSTALLATION INSTRUCTIONS

2000-12 CHEVROLET/GMC HD & 1500 CREW CAB 2/4WD Gas & Diesel Dually  
SIDE BAR PART #234013/234013-2

### PARTS LIST

(2) SIDE TUBES WITH STEPS	(4) 12mm x 50mm HEX HEAD BOLTS
(2) FRONT MOUNT BRACKETS	(14) 14mm x 37mm OD FLAT WASHERS
(2) REAR MOUNT BRACKETS	(10) 14mm SPLIT LOCK WASHERS
(2) CENTER MOUNT BRACES	(2) 10mm x 25mm HEX HEAD BOLTS
(6) M12 - 1.75 x 120mm HEX HEAD BOLTS	(2) 10mm SPLIT LOCK WASHERS
(note -these bolts only used for 2005 and earlier- use existing bolts for 2006 and up.	(2) 12mm x 37mm OD FLAT WASHERS

### PROCEDURE

1. Begin installation by working on driver side of the vehicle (see Figures 1.1 - 1.4).
2. From underneath truck, loosen and remove body mount bolts that run upward through mounts into floorboard. Attach and secure Front Mount Bracket to underside of vehicles front body mount (see Figure 1.2) with (1) M12 - 1.75 x 120mm bolt, (1) 14mm split lock washer, and (1) 14mm x 37mm OD flat washer. Hand Tighten.
3. Attach and secure Rear Mount Bracket to underside of vehicles rear body mount as shown in Figure 1.4, in the same manner as the front. Repeat for Center Brace, but insert (2) 16mm x 37mm OD spacer washers between Center Brace and center body mount (see Figure 1.3).
4. Attach Side Tube to Front and Rear Brackets using (1) 12mm x 50mm bolt, (1) 14mm lock washer and (1) 14mm flat washer for each bracket, and hand tighten. Fasten Center Brace to Side Tube using (1) 10mm x 25mm bolt, (1) 10mm split lock washer, and 12mm x 22mm OD flat washer (used due to hole size on bracket). Adjust Side Tube so that it is level and centered, tighten all bolts to complete the driver-side assembly.
5. Repeat process for passenger side of vehicle to complete installation.

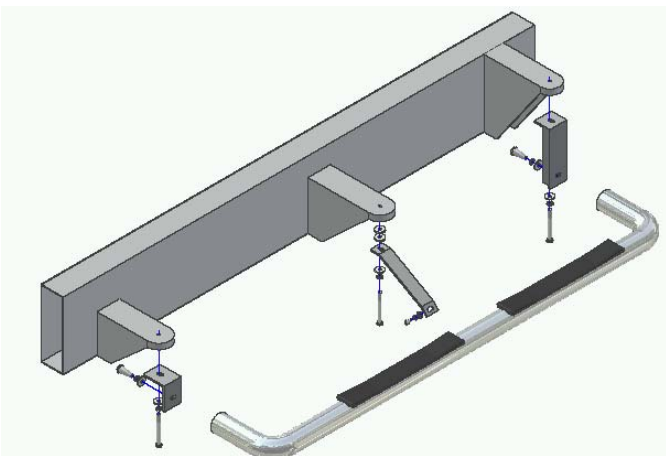


Figure 1.1 – Driver-Side Full Assembly View

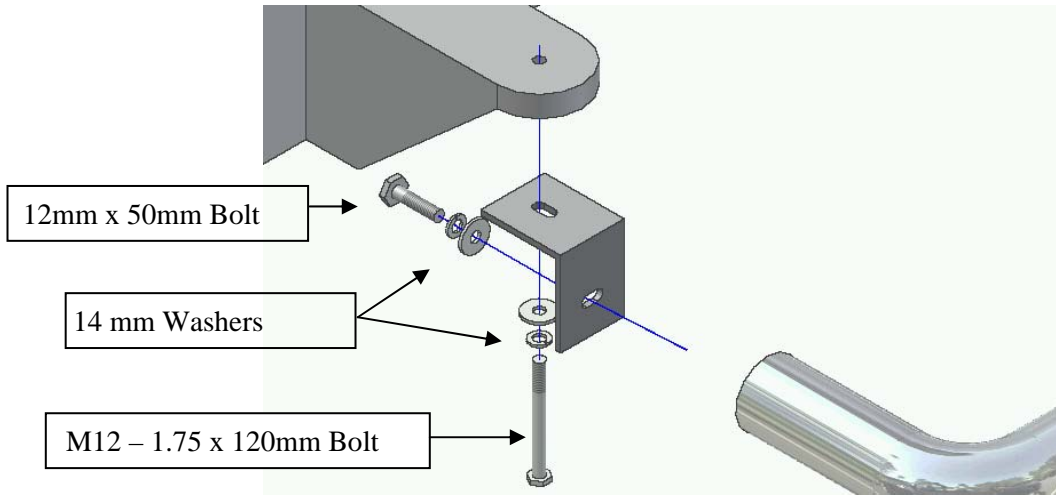


Figure 1.2 – Front Bracket

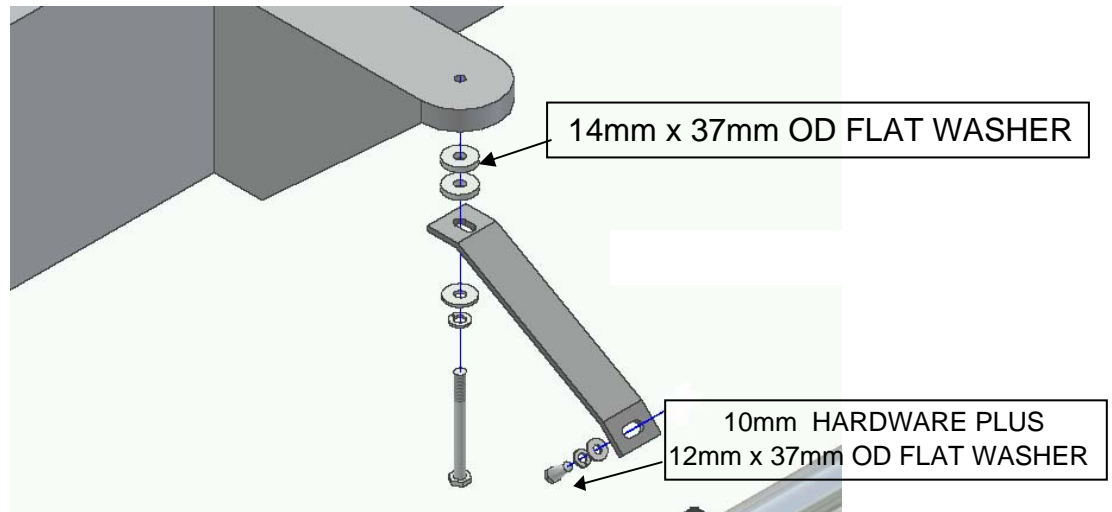


Figure 1.3 – Center Brace

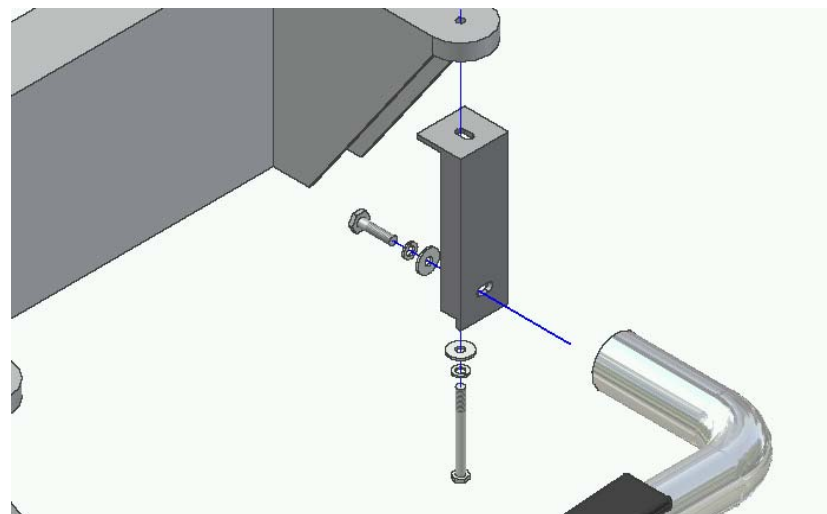


Figure 1.4 – Rear Bracket