

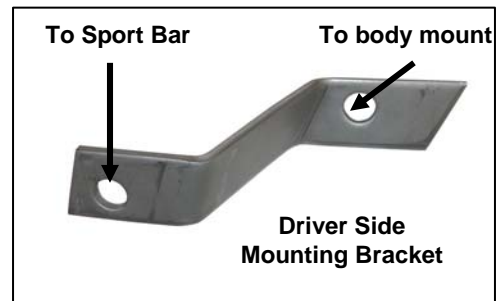
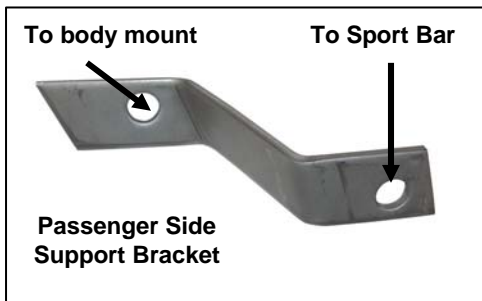
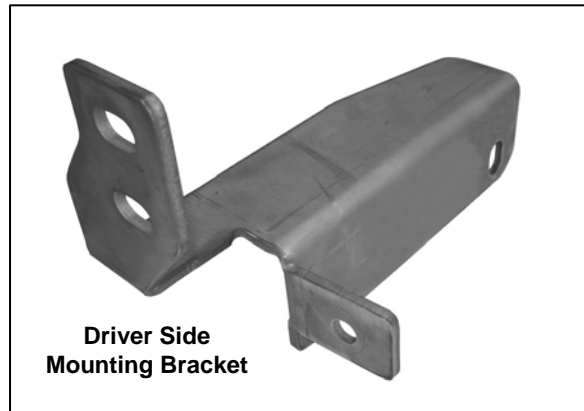
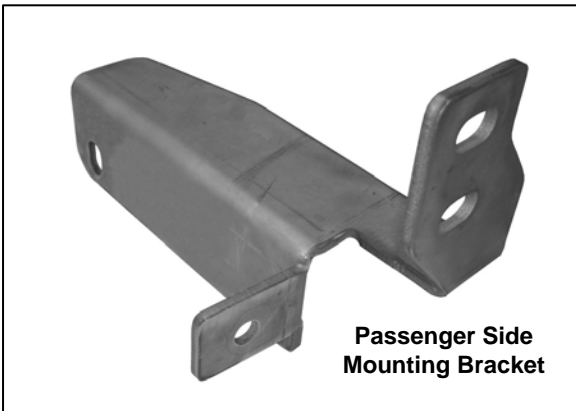


INSTALLATION INSTRUCTIONS

**2009-10 NISSAN MURANO
SPORT BAR PART # 9503**

PARTS LIST:

1	Sport Bar	2	12-1.75mm x 90mm Hex Head Bolts
1	Driver/Left Mounting Bracket	6	12-1.75mm X 40mm Hex Head Bolts
1	Driver/Left Support Bracket	8	12mm Lock Washers
1	Passenger/Right Mounting Bracket	8	12mm Hex Nuts
1	Passenger/Right Support Bracket	14	12.5mm ID x 30.1mm OD x 3.1mm Flat Washers
		2	12.7mm ID x 44mm OD x 3.7mm Fender Washers



PROCEDURE:

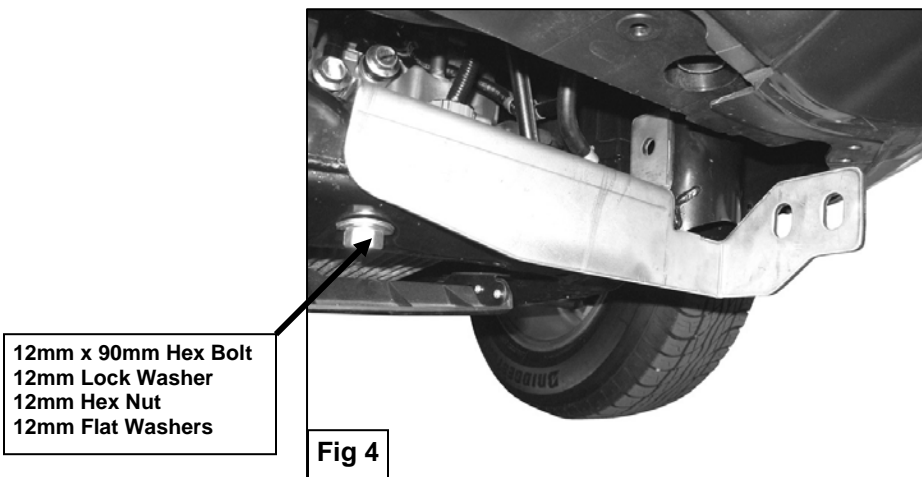
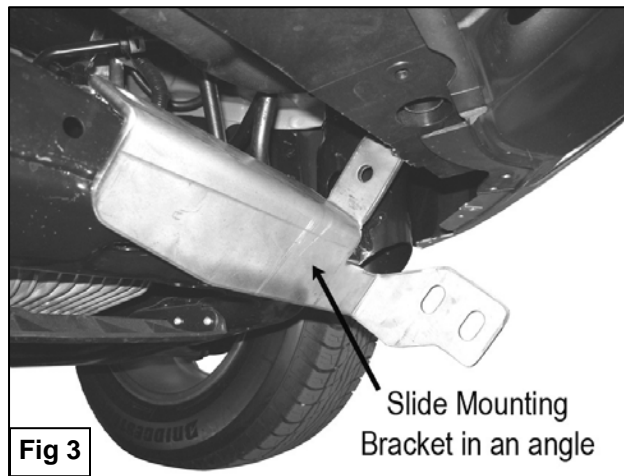
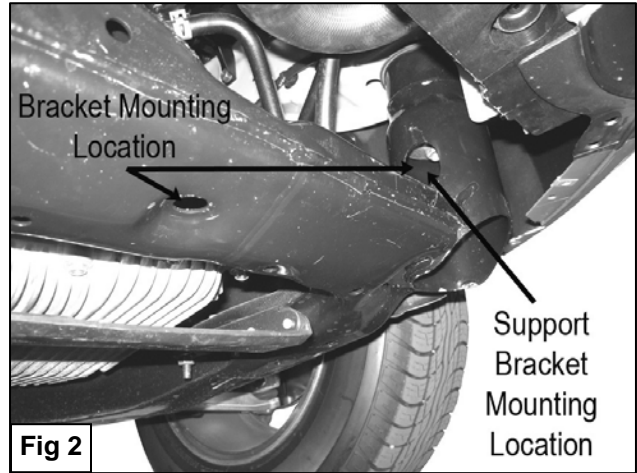
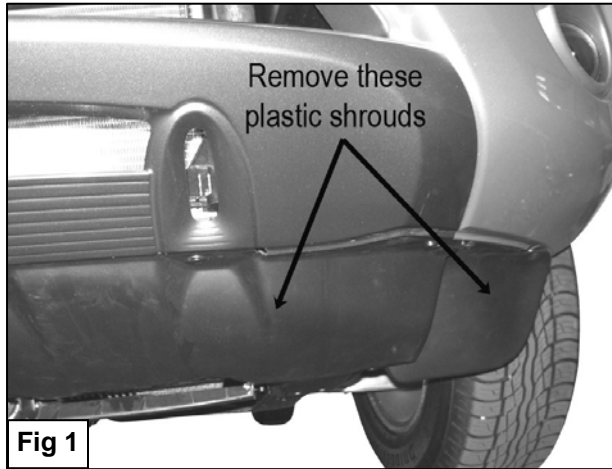
- 1. REMOVE CONTENTS FROM BOX. VERIFY ALL PARTS ARE PRESENT. READ INSTRUCTIONS CAREFULLY BEFORE STARTING INSTALLATION.**
- 2. NOTE:** The factory bottom plastic shroud and the front valance corner pieces must be removed to install this Sport Bar. From underside of vehicle, use a 10mm socket/wrench to remove screws and a flat screw driver to remove the clips from across the bottom plastic shroud (**Figure 1**). Once you have removed the plastic shroud, set it on a clean working area.
- 3.** On the bottom of each side of the front cross member locate a factory through hole (**Figure 2**).
- 4.** Starting on the driver side of the vehicle, position driver side Mounting Bracket over cross member.
NOTE: In order to fit the Mounting Bracket through the opening between the cross member and front of the bumper, slide in the Mounting Bracket in an angle and rotate into place (**Figure 3**).
- 5.** Line up the hole in the Mounting Bracket with the hole in the top of the cross member, then use the included (1) 12mm x 90mm Hex Head Bolt, (1) 12mm Lock Washer, (1) 12mm lock Washer, and (2) 12mm Flat Washers to partially attach the Mounting Bracket to cross member (**Figure 4**).
- 6.** Locate driver side Support Bracket and position it over Mounting Bracket. Line up holes in the Support Bracket with hole in the upper tab and the rear bottom hole of the Mounting Bracket (**Figure 5**).
- 7.** Attach the top of the Support Bracket and upper tab of the Mounting Bracket to the factory hole in the side of the body mount using the included (1) 12mm x 40mm Hex Head Bolt, (1) 12mm Hex Nut, (1) 12mm Lock Washer, (1) 12mm Flat Washer – (outside and over brackets), and (1) 12mm Fender Washer – (inside of body mount) (**Figure 5**). **NOTE:** Use a long socket wrench to tighten the hardware inside the body mount (**Figure 6**). Do not tighten at this time.
- 8.** Repeat steps 3 – 7 for passenger side Brackets.
- 9.** With help position Sport Bar on the outside of Mounting Brackets. Use the included (4) 12mm x 40mm Hex Head Bolts, (4) 12mm Lock Washers, (4) 12mm Hex Nuts, and (8) 12mm Flat Washers to attach Sport Bar to Mounting Brackets (**Figure 7**). **NOTE:** The rear bolts will secure the bottom of the Support Bracket and Mounting Bracket.
- 10.** Level and adjust Sport Bar properly; and then tighten all hardware at this time.
- 11.** Once you have aligned and tightened all the assembly, remove the hardware securing the Sport Bar and Sport Bar. Position the plastic shroud over the installed Brackets and directly over its mounting location, then trace the bottom of the Mounting Brackets on the plastic shroud. Use a box knife to cut out the marked locations (**Figure 8**).
- 12.** Position plastic shroud over Brackets and re-install it back to the vehicle using the factory fasteners.
- 13.** Re-install the Sport Bar back to the Brackets and tighten it.
- 14.** Do periodic inspections to the installation to make sure that all hardware is secure and tight.

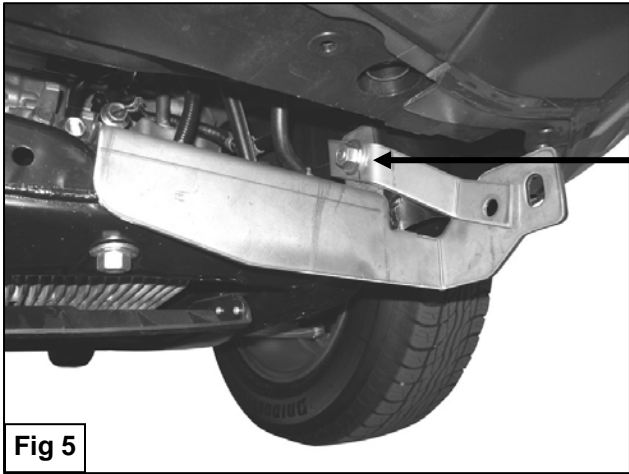
To protect your investment, wax this product after installing. Regular waxing is recommended to add a protective layer over the finish. Do not use any type of polish or wax that may contain abrasives that could damage the finish.

For stainless steel: Aluminum polish may be used to polish small scratches and scuffs on the finish. Mild soap may be used also to clean the Sport Bar.

For gloss black finishes: Mild soap may be used to clean the Sport Bar.

(Driver Side Installation Shown)





12mm x 40mm Hex Bolt
12mm Lock Washer
12mm Hex Nut
12mm Flat Washer
12mm Fender Washer

NOTE: Place Flat Washer over Brackets and Fender Washer on the opposite side (inside of body mount)

Fig 5

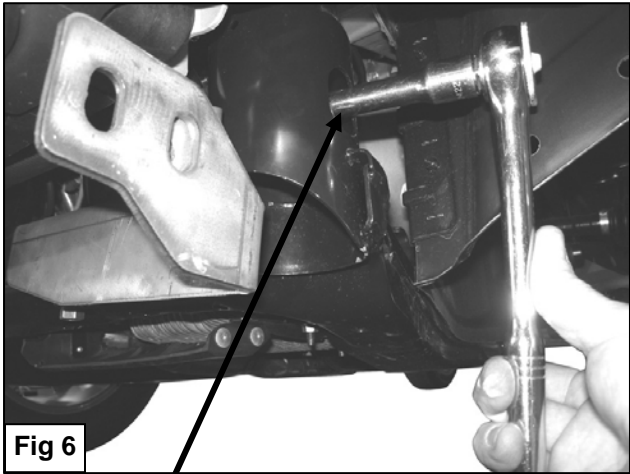


Fig 6

Tighten inside hardware from this side of body mount

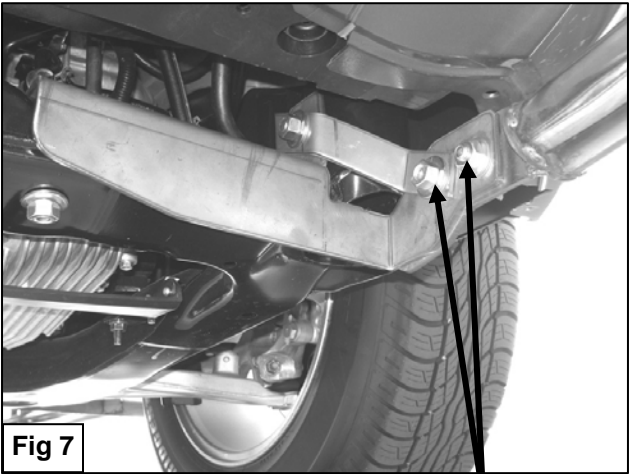
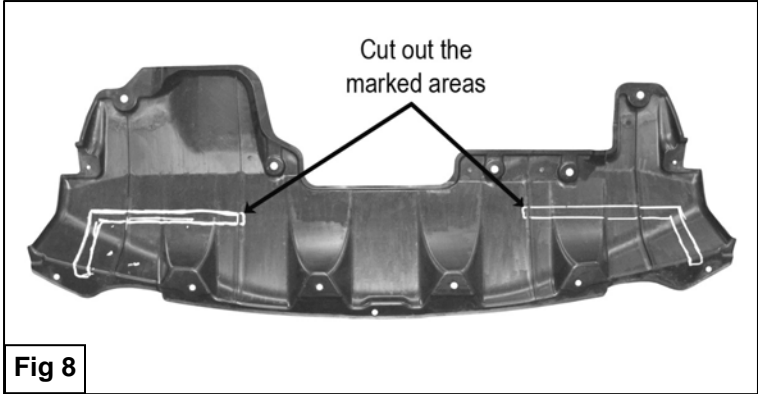


Fig 7

12mm x 40mm Hex Bolt
12mm Lock Washer
12mm Hex Nut
12mm Flat Washers



Cut out the marked areas

Fig 8