

Part# 10507**1994 - 2001 DODGE RAM 1500**
1994 – 2002 DODGE RAM 2500, 3500

Please refer to the drawings on the back of this sheet

READ THIS NOW! Your truck should look like the one shown above. If you think you are missing any parts, think that this part number is not for your truck, or have any installation questions, Call our customer service dept at 1-800-265

8137 or 905-849-3633. Other ways to reach us Email: mfg@backrack.ca or fax 905-849-4116.

The Backrack is secured to your truck with a pair of Stake Pocket Bolts specifically designed for your make and model of truck. These bolts mount into each of the two front stake pockets. The Backrack assembly sits on the bed rails of your truck and is secured to these Stake Pocket Bolts. If your truck has a BEDLINER we suggest you remove it to install the Stake Pocket Bolts.

STEP 1: Install the Stake Pocket Bolts into the two front stake pockets.

- 1) Using a square and a pencil, draw a center line below the bed rail on the inside wall of the truck bed as a guide to drill two 7/16" diameter holes (see drawing on back of sheet). Be sure that the flat steel portion of the Stake Pocket Bolt is below the oval hole (see dwg) !!!
- 2) Mark hole locations and drill two 7/16" diameter holes to accommodate the Stake Pocket Bolt.
- 3) Secure the Stake Pocket Bolts into the stake pocket with the 3/8" lock washers and nuts.

STEP 2: Place Rail Plates on to bed rail. over stake pocket bolts.

The large rectangle plates are the Rail Plates. These provide strength to the sheet metal and prevent denting when the Backrack is secured to the truck.

- 1) Apply the black adhesive foam to one side of the Rail Plates. Cut foam into smaller pieces.
- 2) Place Rail Plate onto bed rail. The thread of the Stake Pocket Bolt will protrude through hole.

STEP 3: Attach the Railmount Brackets to the Backrack Frame.

- 1) Drop the tailgate and lay the Backrack on the tailgate (decals up) with long tube nearest you.
- 2) Slide Railmount Bracket on to end of tube so the oblong slot aligns with hole in end of tube.
- 3) Secure to Backrack with W' bolt assembly (1/2" x 3-1/2" Bolt, lock washer, flat washer, nut).
- 4) Do not tighten at this time. Keep loose for adjustment later in installation.
- 5) There is a LH & RH Railmount Bracket. Refer to photos for proper fit.

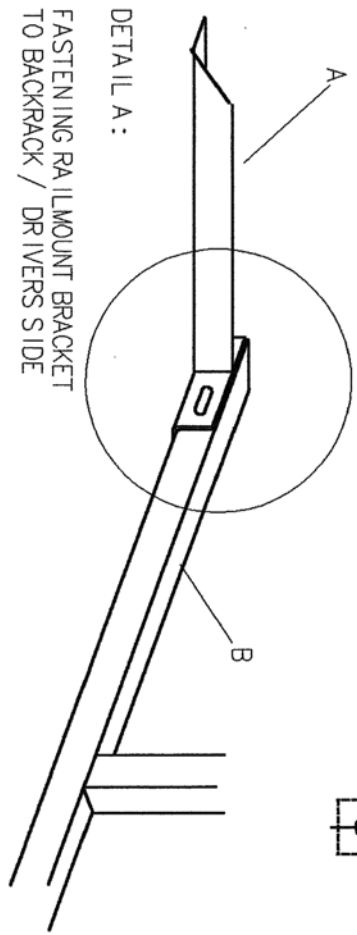
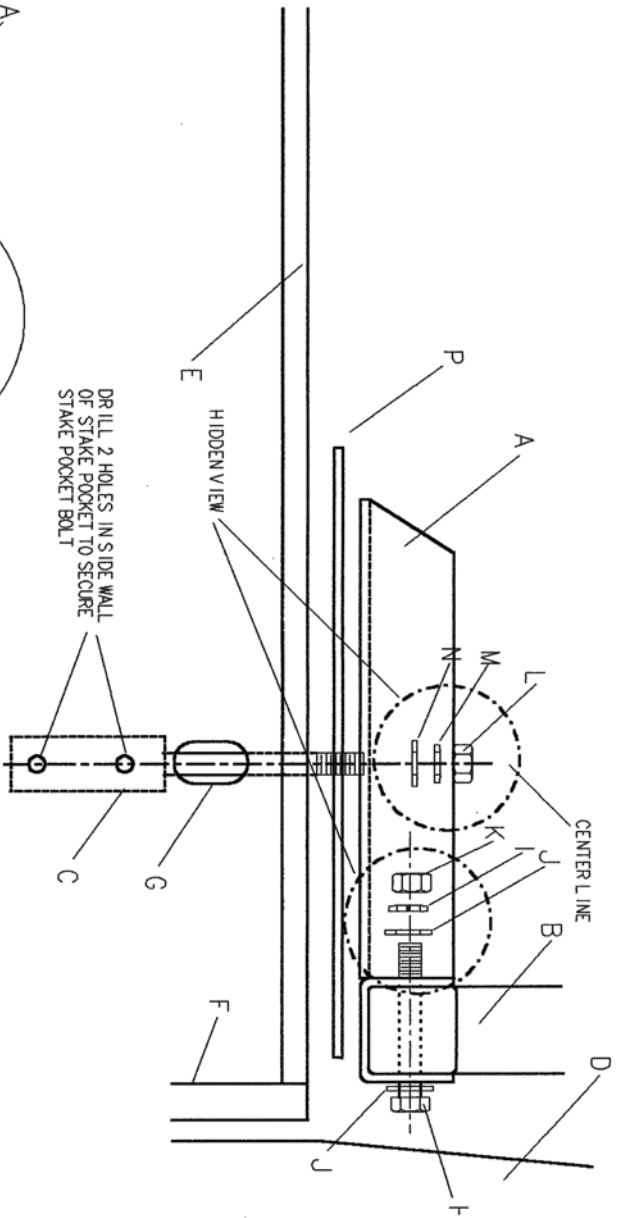
STEP 4: Place Backrack assembly c/w Railmount Brackets attached on to bed rail.

- 1) Place the Backrack assembly on the bed rails. It will be sitting on the Rail Plates.
- 2) The threaded portion of the Stake Pocket Bolt will be protruding through the holes.
- 3) Secure the assembly to the truck using the 5/8" flat washer, lock washer and nut.
- 4) **DO NOT OVERTIGHTEN!** Sheet metal is thin and will crush if over tightened.
- 5) Tighten until the lock washer begins to compress. Use your discretion.

STEP 5: Center Backrack behind cab and tighten all fasteners.

- 1) Stand at the rear of the truck and visually center the Backrack behind the cab.
- 2) Finish the installation by tightening all nuts and bolts.
- 3) **DO NOT OVERTIGHTEN THE STAKE POCKET BOLTS.**
- 4) The W' bolt assembly should be tightened as firmly as possible with an extension handle.

Contact us @ 905-849-3633 or 1-800-265-8137. Fax 905-849-4116. E mail: mfg@backrack.ca
WEBSITE: www.backrack4trucks.com



- LETTER REFERENCE
- A : RAILMOUNT BRACKET , DRIVERS SIDE
 - B : BACKRACK
 - C : STAKE POCKET BOLT
 - D : TRUCK CAB
 - E : TRUCK BEDRAIL
 - F : FRONT OF TRUCK BED
 - G : OVAL SLOT IN STAKE POCKET
 - H : 1/2" X 3-1/2" BOLT
 - I : 1/2" LOCK WASHER
 - J : 1/2" FLAT WASHER
 - K : 1/2" NUT
 - L : 5/8" NUT
 - M : 5/8" LOCK WASHER
 - N : 5/8" FLAT WASHER
 - P : RAIL PLATE