

SUPPLEMENTAL INSTALL SHEET

Toyota Tacoma 2016 +



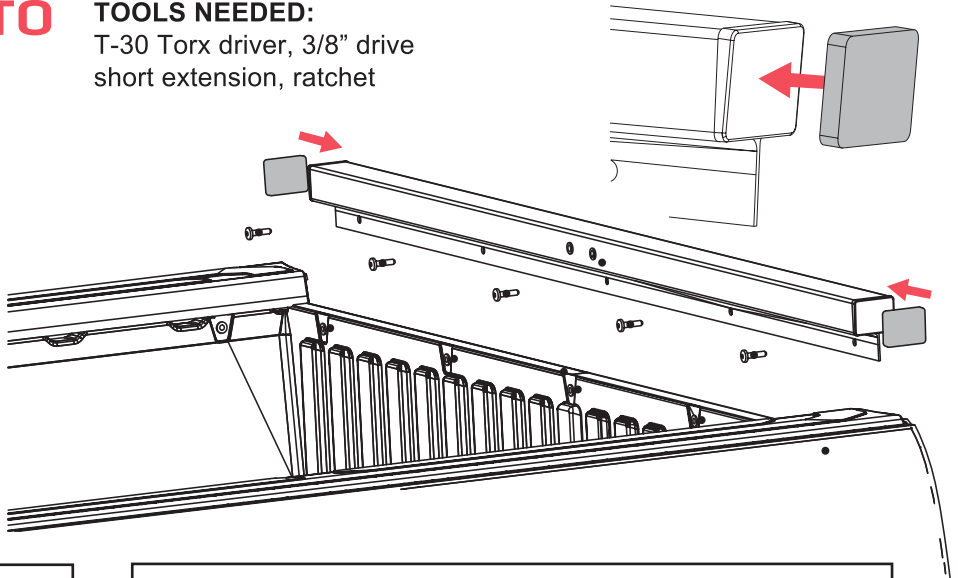
IMPORTANT: READ FIRST



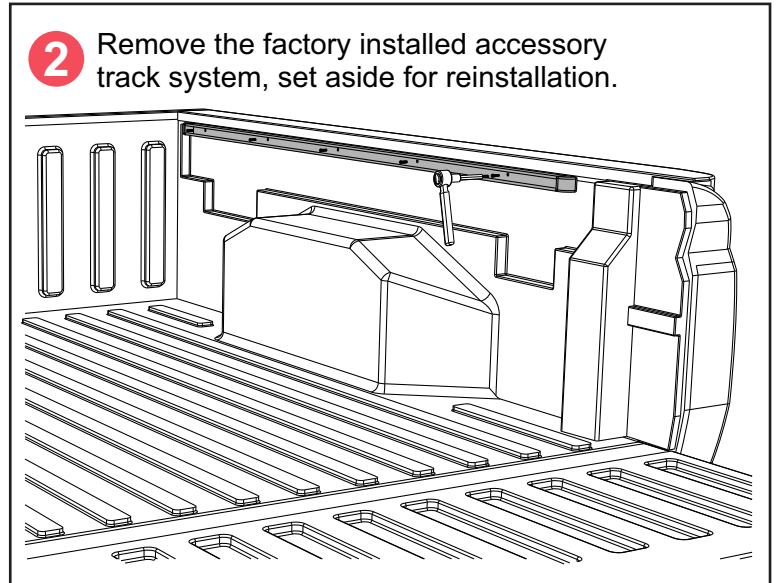
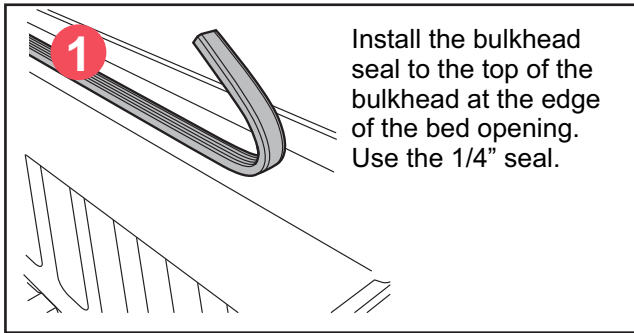
FOAM SEAL INSTALL TO HEADER RAIL ENDS

TOOLS NEEDED:

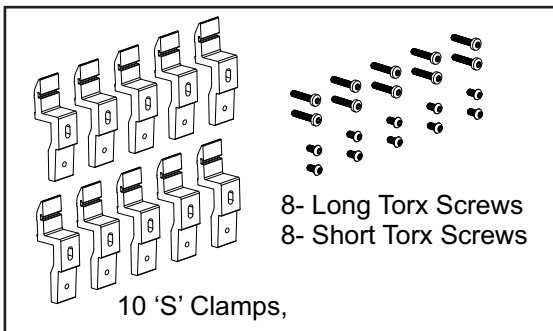
T-30 Torx driver, 3/8" drive
short extension, ratchet



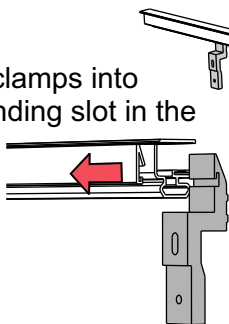
1. Remove factory cab header rail
2. Use T-30 Torx driver to remove 5 fasteners securing header rail to front bulkhead below cab rear window
3. Peel backing paper off of foam seal and adhere to header rail endcaps
4. Reposition factory cab header rail on truck bed
5. Install and torque all mounting bolts to 7.5Nm (66.5 lbs-in)



Parts included:



- 3** Slide the 'S' clamps into the corresponding slot in the supplied rail.



- 4** Align the 'S' clamps to match the spacing of the original factory track system mounting holes.

4- 'S' clamps for a 5 foot bed,
5- 'S' clamps for a 6 foot bed.

SUPPLEMENTAL INSTALL SHEET

Toyota Tacoma 2016 +

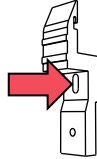


IMPORTANT: READ FIRST

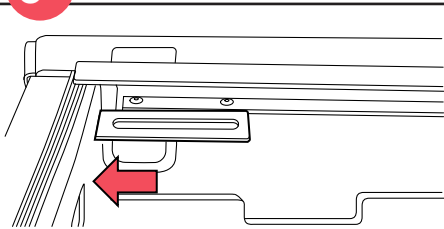


- 5** Mount the supplied rail into the original factory mounting holes using the supplied long Torx screws through the middle slot of the 'S' clamps.

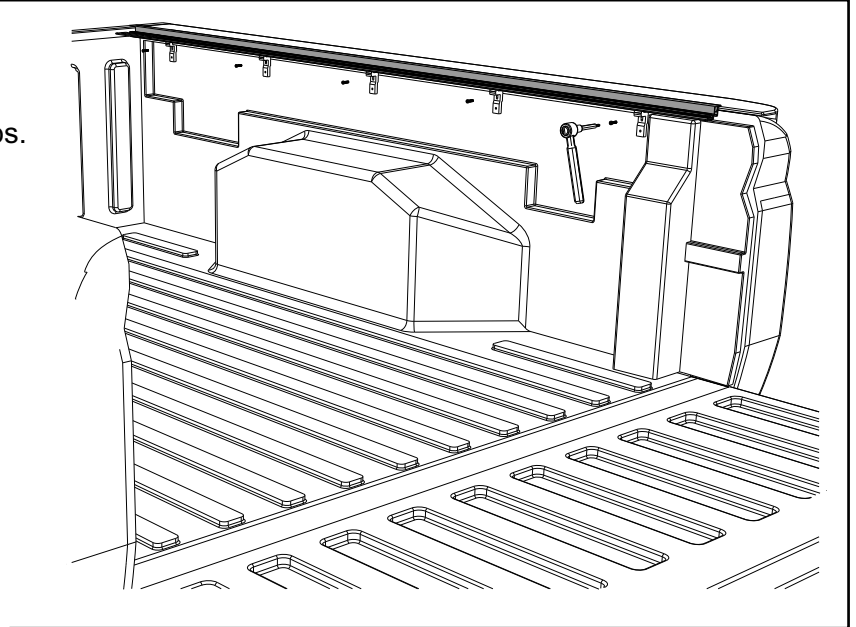
Align the rail with the front/cab bulkhead, per Step 5A, tighten the screws.



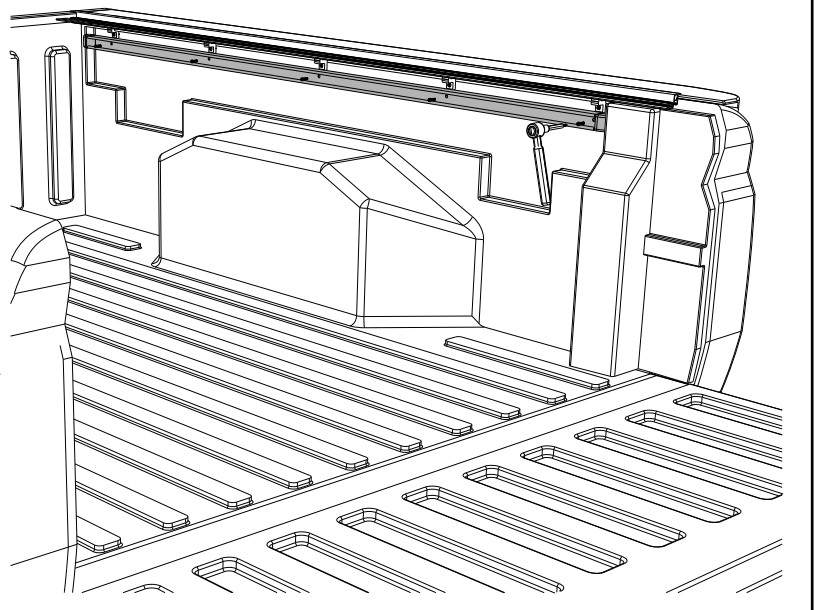
5A



Position the rail with the silver, slotted bracket all the forward, towards the cab, the front of the vehicle.



- 6** Remount the factory track system using the supplied short Torx screws into the threaded holes at the bottom of the 'S' clamps.



Return to standard Installation Sheet, Step 8.