



C.A.C. Installation

For 2007.5 – 2010 Ford 6.4L Powerstroke Trucks

-- Installation Instructions --

1042720

6.4L Ford Powerstroke

PLEASE READ ALL INSTRUCTIONS BEFORE INSTALLATION

BD Engine Brake Inc.

Plant Address: 33541 MacLure Rd. Abbotsford, BC, Canada V2S 7W2




U.S. Shipping Address: 88-446 Harrison St, Sumas, WA 98295 U.S. Mailing Address: P.O. Box 231, Sumas, WA 98295




Phone: 604-853-6096 | Fax: 604-853-8749 | Internet: www.bd-power.com

Tools Required

		
Sockets 8,10,11,13mm & 1/2"	Air Wrench	Clip Remover

Kit Contents

1402720	1405404	1407002
		
<i>Charge Air Cooler</i>	<i>3-3.25" Step Boot Used with Stock CAC Pipe</i>	<i>Lower CAC Boot</i>
Qty: 1	Qty: 1	Qty: 1

1405211	1407030	1900037
		
<i>325 Clamps</i>	<i>350 Clamps</i>	<i>M6 X 12mm</i>
Qty: 2	Qty: 2	Qty: 1

BD Engine Brake Inc.

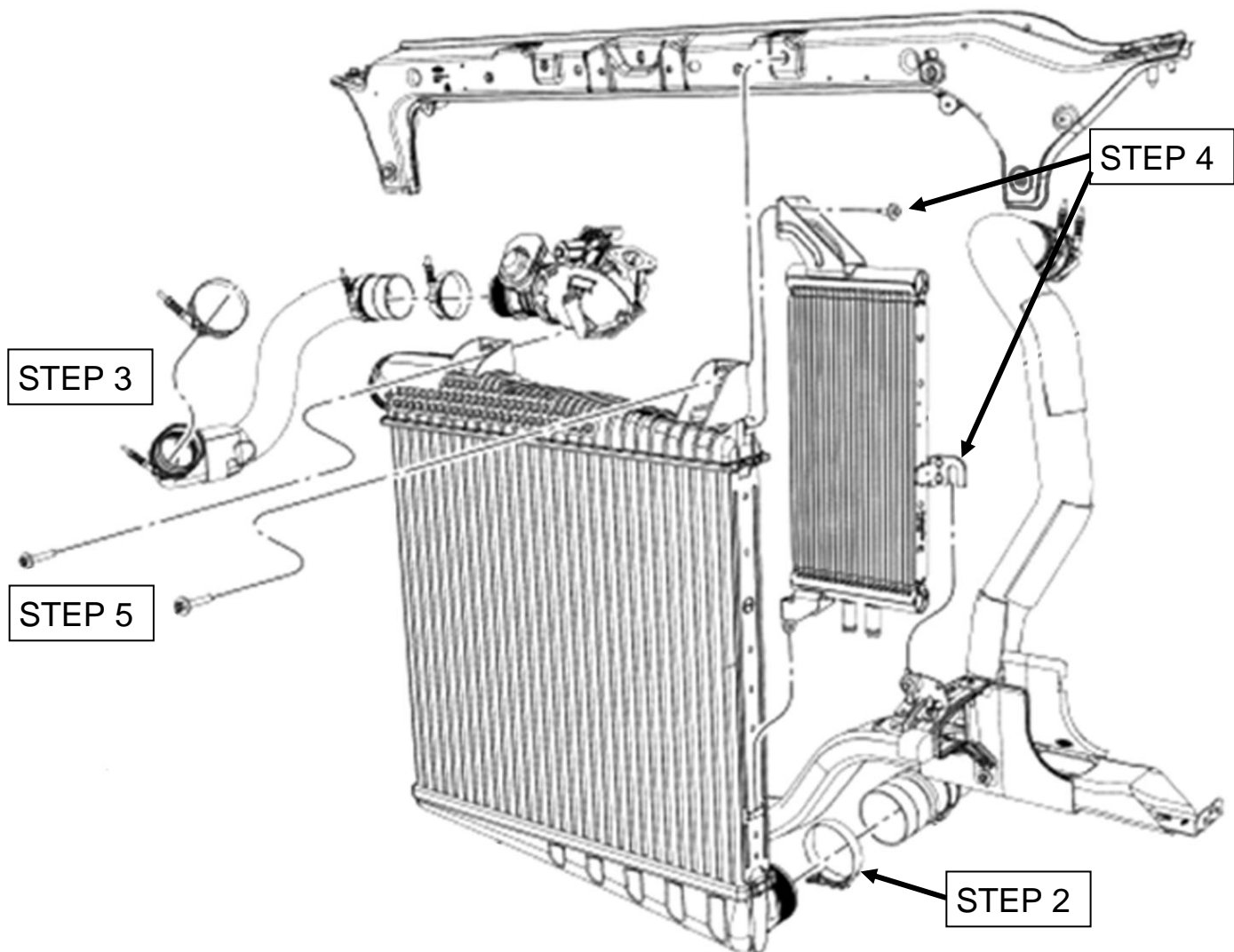
Plant Address: 33541 MacLure Rd. Abbotsford, BC, Canada V2S 7W2

U.S. Shipping Address: 88-446 Harrison St, Sumas, WA 98295 U.S. Mailing Address: P.O. Box 231, Sumas, WA 98295

Phone: 604-853-6096 | Fax: 604-853-8749 | Internet: www.bd-power.com

Procedure

1. Block wheels to ensure vehicle does not roll during installation.



2. Loosen both lower CAC clamps (11mm) and remove boot.
3. Loosen two upper CAC clamp (11mm) to free boot from CAC and pipe.
4. Remove one (10 mm) bolt from top of transmission cooler and one (10mm) bolt from side of cooler to the radiator support. Retain bolts for reuse.
5. Remove two (10mm) bolts from top of CAC. Retain bolts for reuse.
6. Tilt CAC forward to release upper boot, then remove the stock boot & CAC from the vehicle and clean the upper CAC tube.

BD Engine Brake Inc.

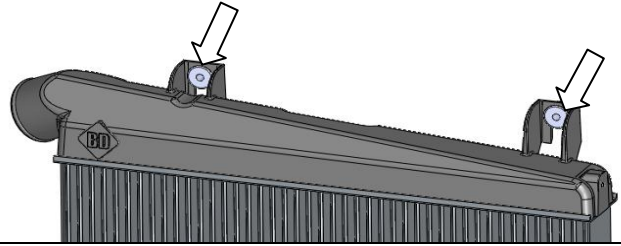
Plant Address: 33541 MacLure Rd. Abbotsford, BC, Canada V2S 7W2

U.S. Shipping Address: 88-446 Harrison St, Sumas, WA 98295 U.S. Mailing Address: P.O. Box 231, Sumas, WA 98295

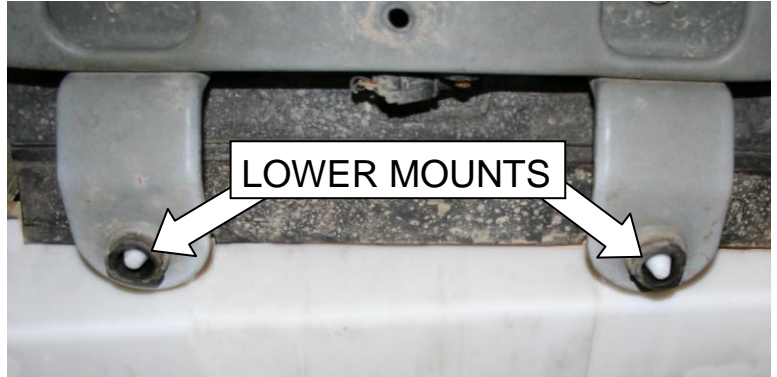
Phone: 604-853-6096 | Fax: 604-853-8749 | Internet: www.bd-power.com

7. Swap OEM rubber mounts to BD CAC.

Clean lower OEM CAC boot.



8. Install new BD CAC into lower mounts.

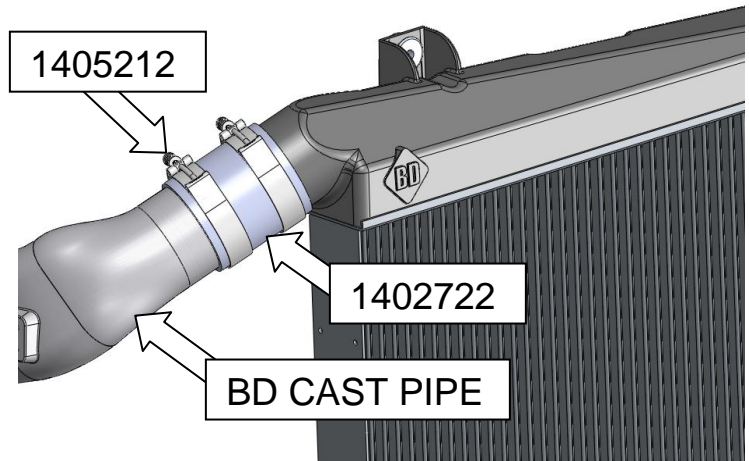


VIEW FROM UNDERNEATH VEHICLE

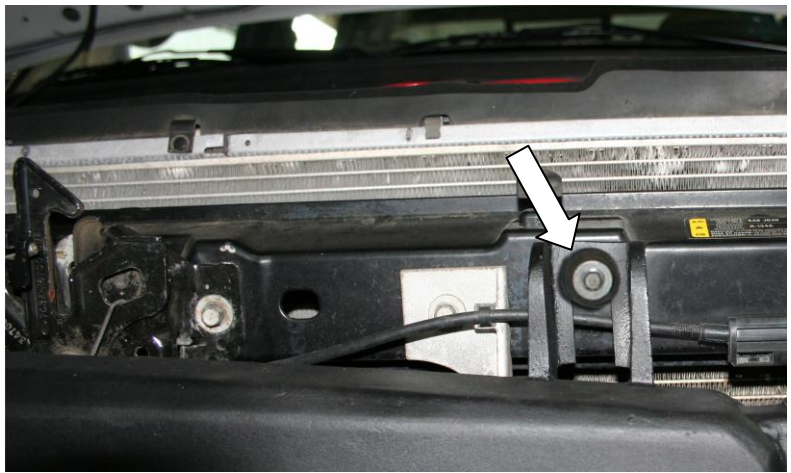
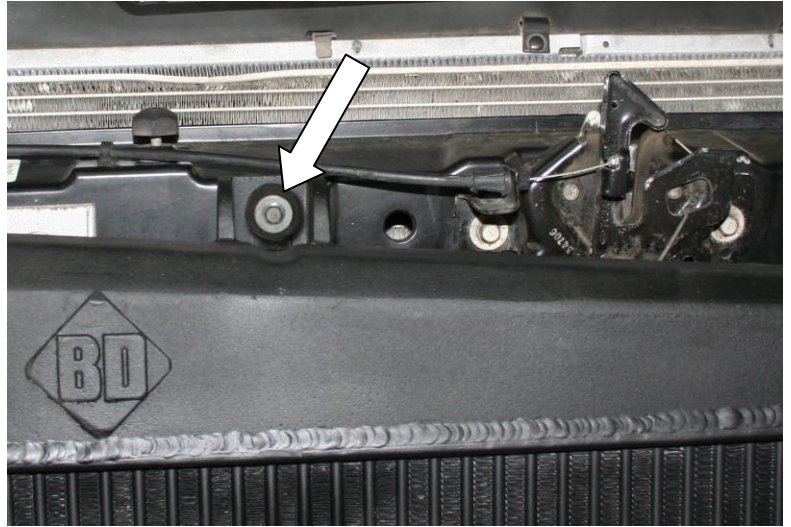
9. Slide clamp (325) onto stock CAC pipe then install the supplied step boot (1405404) with the supplied clamp (350) to secure the CAC outlet once in position.



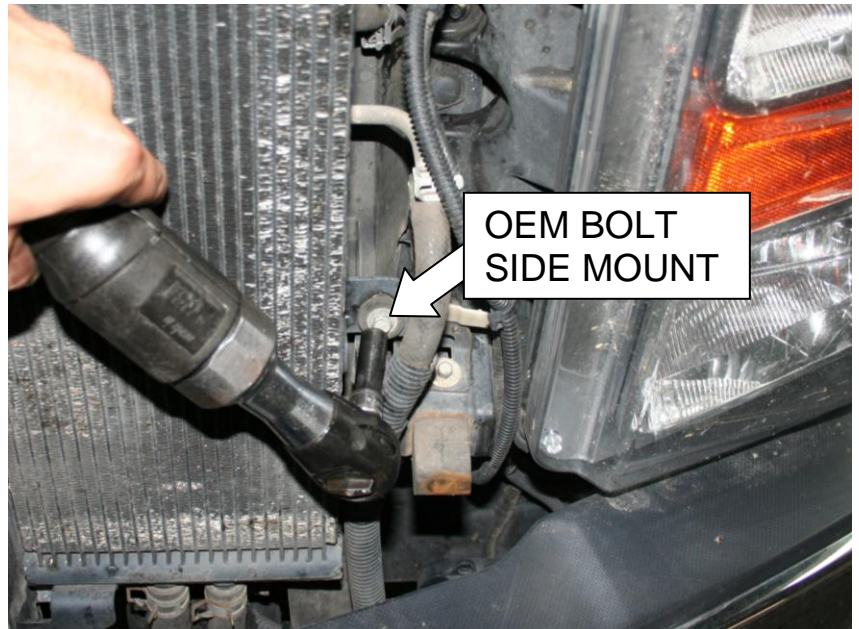
Once the boot is in place tilt the CAC towards the vehicle while connecting the boot to the BD CAC outlet.



10. Push against radiator support install two (10mm) bolts.



11. Remount the transmission cooler with supplied bolt (1900037) at top mount (reference step 4 for mount position) and reuse the OEM bolt (10mm) & washer to secure the side mount.



BD Engine Brake Inc.

Plant Address: 33541 MacLure Rd. Abbotsford, BC, Canada V2S 7W2

U.S. Shipping Address: 88-446 Harrison St, Sumas, WA 98295 U.S. Mailing Address: P.O. Box 231, Sumas, WA 98295

Phone: 604-853-6096 | Fax: 604-853-8749 | Internet: www.bd-power.com

12. Tighten upper CAC clamps until spring is bound.

13. Install CAC Inlet boot (1407002) with the supplied clamp (350) on the CAC side and (325) on the lower CAC pipe and tighten until spring is bound.



14. After 100 miles recheck all boots & clamps. Retighten as necessary.

BD Engine Brake Inc.

Plant Address: 33541 MacLure Rd. Abbotsford, BC, Canada V2S 7W2

U.S. Shipping Address: 88-446 Harrison St, Sumas, WA 98295 U.S. Mailing Address: P.O. Box 231, Sumas, WA 98295

Phone: 604-853-6096 | Fax: 604-853-8749 | Internet: www.bd-power.com