



Installation Instructions

For: Jeep® Wrangler TJ Windshield Channel Kit

Part Number 51210

Note: To be used in the TJ Strapless Bikini Part Number 52521-xx and TJ Safari Bikini Part Number 52530-xx.

WARNING

This product is designed primarily to enhance the appearance of the vehicle and to shield the occupants from ordinary weather conditions. Do not rely in any way on the components of this product to contain occupants within the vehicle, or to protect against injury or death in the event of an accident. This top will not protect the occupants from falling objects. Never operate vehicle in excess of manufacturer's specifications.

WEAR SEAT BELTS AT ALL TIMES

Read and follow, precisely, all installation instructions provided when installing top. Failure to do so may result in a poor fitting top and could place occupants of the vehicle in a potentially dangerous situation.

Parts List and Hardware Identification

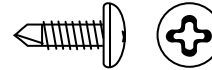
Windshield Channel - Left, Qty - 1,
Part Number 314.13



Windshield Channel - Right, Qty - 1,
Part Number 314.14



#8 x 1/2" Self-Tapping Phillips Head
Screw, Qty - 10, Part Number 200.48



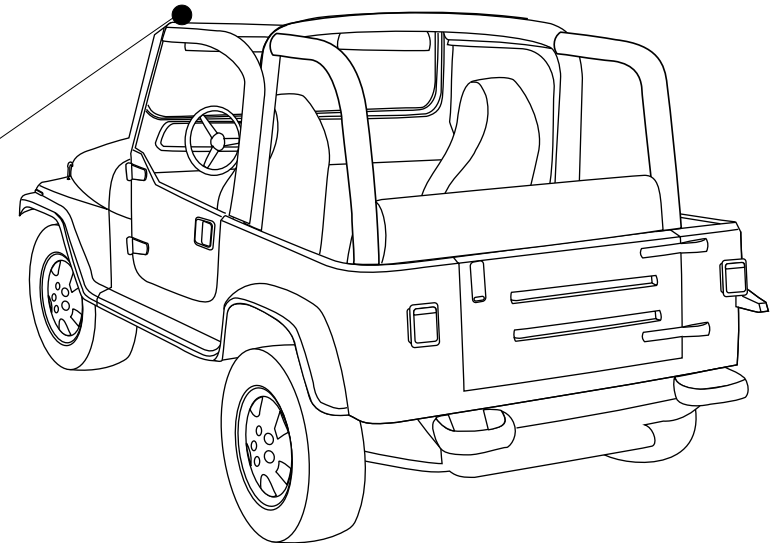
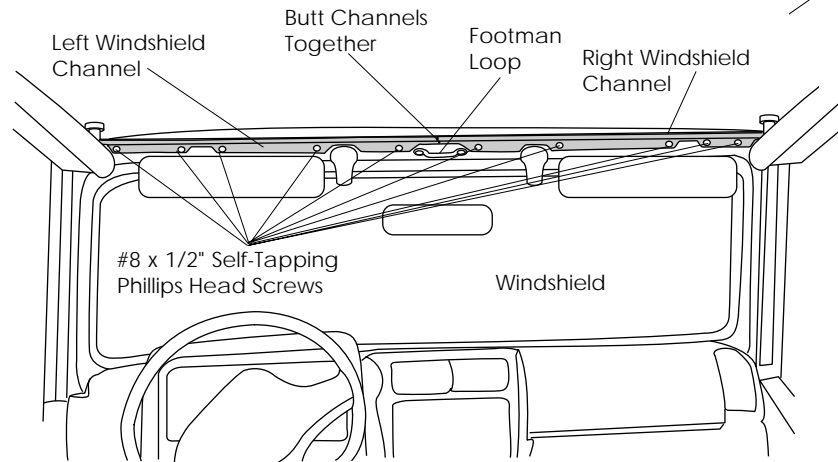
Tools Needed

1/8" Drill Bit and Drill Motor
Phillips Screwdriver
Center Punch
Hammer
Pencil

Step One

Locate the Left and Right Windshield Channels in the parts kit. Orient them with the open edge up, the foam gasket in the channel facing the windshield and place them along the top, inside of the windshield. The cutouts at the outside corners of the channels are round to accommodate the sport bars. The ends with the rectangular cutouts will and must butt up together to form an opening around the footman loop attached to the windshield frame at the center of the windshield. The other cutouts in the channels will fit around the header latches.

Mark the locations of the five mounting holes in each channel. Center punch and drill a 1/8" hole at each location. Install both channels using ten (10) #8 x 1/2" Self-Tapping Phillips Head Screws.



View from inside vehicle -
looking toward front