



Seat Riser Installation Instructions



For: All Jeep® CJ5s, CJ7s and Wranglers 1976-1995

**Part Number: 51254 RT
51253 LT**

Jeep® is a registered trademark of Chrysler and Bestop is not affiliated with Chrysler Corporation.



WARNING

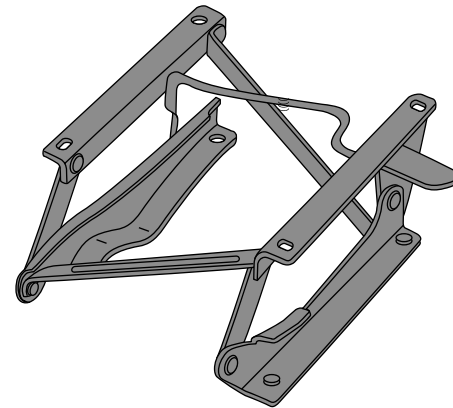
Before you begin installing this seat riser, please read all installation instructions and warnings thoroughly.

This seat is designed to be used on the model vehicles described above. Use of this riser on any other vehicle or failure to install this seat properly may result in an improperly mounted seat and could result in unexpected movement of the seat and loss of control of the vehicle, thereby placing the occupants of the vehicle and others in a potentially dangerous situation.

This seat system is intended to be used with seat belts at all times. Do not rely on the seat to maintain the seating position of occupants, in the event of an accident.

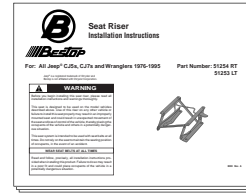
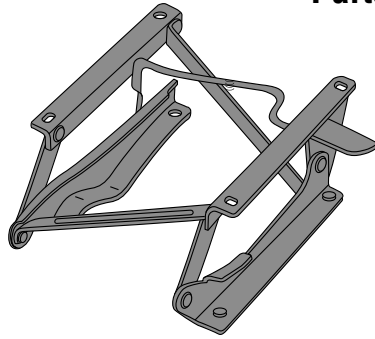
WEAR SEAT BELTS AT ALL TIMES

Read and follow, precisely, all installation instructions provided when installing this product. Failure to do so may result in a poor fit and could place occupants of the vehicle in a potentially dangerous situation.



Parts List and Hardware Identification

SeatRiser,
Qty - 1



Installation Instruction
Manual, Qty - 1

Tools Needed

9/16 Wrench
13 MM Hex Socket Head
#30 Torque Wrench
Safety Glasses

Riser Installation



Caution

Note: Before beginning the riser installation, set the parking brake, place the vehicle in gear or park and chock the wheels to reduce the risk of the vehicle unexpectedly moving, which could result in serious injury.

Step One

Remove the existing seat from the vehicle.

Remove the four (4) nuts that mount the seat track slides to the riser. Do not throw away the four (4) nuts since they will be reused.

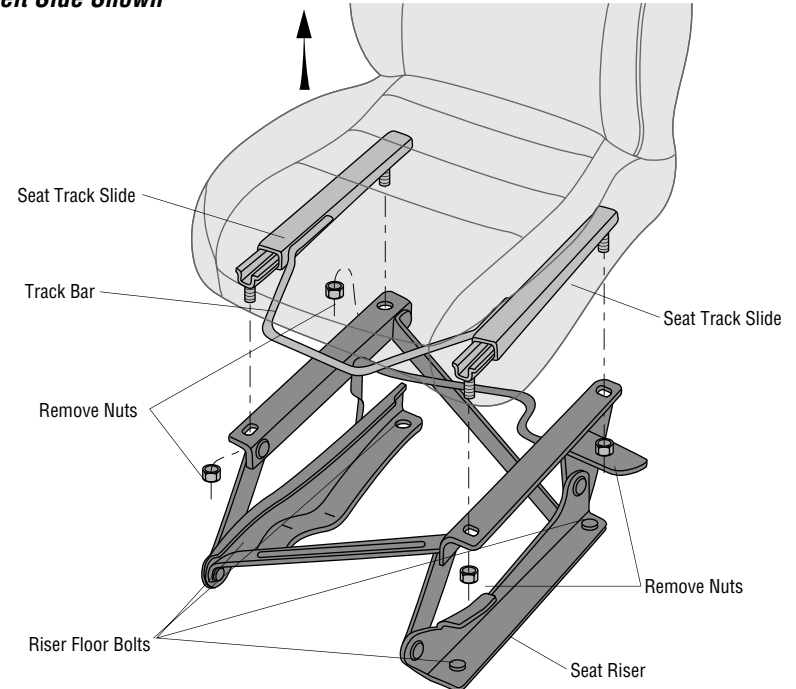
The nuts are under the ledge on the riser.

Next remove the bucket seat and track slides from the vehicle.

If your seat track slide is not attached to the riser with nuts then it has bolts coming down through the slide and into the riser. To remove the front bolts slide the seat all the way forward and remove the two bolts that attach the slider to the seat. Next slide the seat all the way back and remove the two rear bolts attaching the slider to the seat. Remove the seat and then remove the slider from the riser.

Remove the old riser from the floor with a 9/16" wrench and save the four bolts.

Left Side Shown





WARNING

Failure to tighten the bolts and nuts to the specified torque can result in the seat loosening, thereby causing serious bodily injury to the vehicle occupants and to others.

Step Two

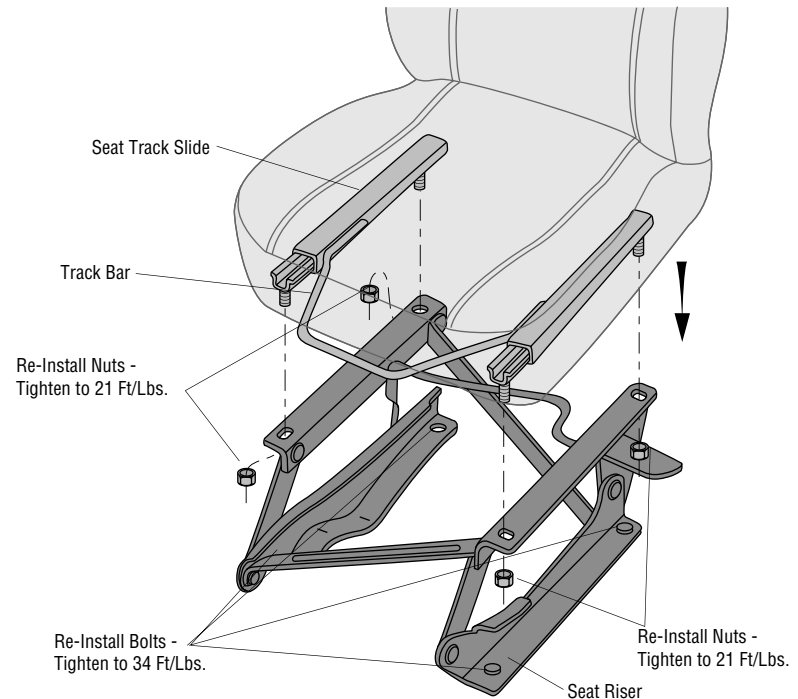
Install the new riser, attaching it to the floor with the four bolts removed from the old riser and torque to 34 ft/lbs.

Install the Seat in the Vehicle.

Place the seat in the vehicle. Align the studs on the tracks with the holes in the seat riser. Reinstall the four (4) nuts that were removed in Step One on the track studs. Tighten the nuts to 21 ft/lbs, using a #30 Torque Wrench.

If your seat track slide was not attached with nuts, follow, in reverse, the removal procedure from Step One.

Left Side Shown





WARNING

Never adjust the driver's seat or seat back when the vehicle is moving. You could lose control of the vehicle and injure someone.

This seat system is intended to be used with seat belts at all times. Do not rely on the seat to maintain the seating position of occupants, in the event of an accident.

Always drive and ride with your seat back upright and the lap belt snug across the hips to reduce the risk of serious injury to the abdomen or neck that could be caused by sliding under the seat belts in a collision.

Children should always ride with the seat back in the fully upright position. When the seat back is not fully upright, there is a greater risk that the child will slide under the safety belt and be seriously injured in a collision.

WEAR SEAT BELTS AT ALL TIMES

LIMITED WARRANTY

We warrant our product to be free from defects in material and workmanship, for terms specified below, provided there has been normal use and proper maintenance. This warranty applies to the original purchaser only. All remedies under this warranty are limited to the repair or replacement of any item or items found by the factory to be defective within the time period specified.

If you have a warranty claim, first you must call our factory at the number below for instructions. You must retain proof of purchase and submit a copy with any items returned for warranty work. Upon completion of warranty work, if any, we will return the repaired or replaced item or items to you freight prepaid. Damage to our products caused by accidents, fire, vandalism, negligence, misinstallation, misuse, Acts of God, or by defective parts not manufactured by us, is not covered under this warranty.

THE WARRANTY TIME PERIOD IS AS FOLLOWS: ALL "GOODS" MANUFACTURED BY OUR COMPANY: ONE YEAR FROM DATE OF PURCHASE.

ANY IMPLIED WARRANTIES OF MERCHANTABILITY AND/OR FITNESS FOR A PARTICULAR PURPOSE CREATED HEREBY ARE LIMITED IN DURATION TO THE SAME DURATION AND SCOPE AS THE EXPRESS WRITTEN WARRANTY. OUR COMPANY SHALL NOT BE LIABLE FOR ANY INCIDENTAL OR CONSEQUENTIAL DAMAGE.

Some states do not allow limitations on how long an implied warranty lasts, or the exclusion or limitation of incidental or consequential damages, so the above limitations or exclusions may not apply to you.

This warranty gives you specific legal rights, and you may also have other rights which vary from state to state.

For further information or request for warranty work, please contact:

Bestop Inc.
Customer Service
(800)346-3910
(303)465-1755

