



Adapter Bracket for TrailMax™ Front Seats Installation Instructions

For: Jeep® Wranglers 1997 and Newer

Part Number: 51256

Jeep® is a registered trademark of Chrysler and Bestop is not affiliated with Chrysler Corporation.



WARNING

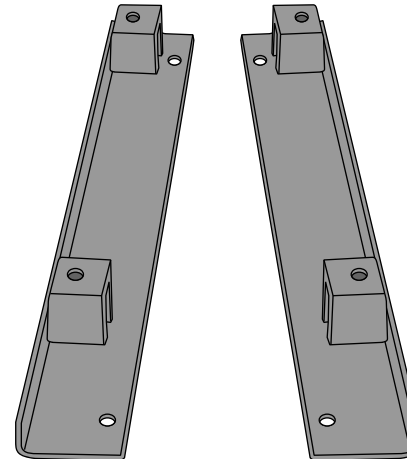
Before you begin installing this seat, please read all installation instructions and warnings thoroughly.

This seat is designed to be used on the model vehicles described above. Use of this seat on any other vehicle or failure to install this seat properly may result in an improperly mounted seat and could result in unexpected movement of the seat and loss of control of the vehicle, thereby placing the occupants of the vehicle and others in a potentially dangerous situation.

This seat system is intended to be used with seat belts at all times. Do not rely on the seat to maintain the seating position of occupants, in the event of an accident.

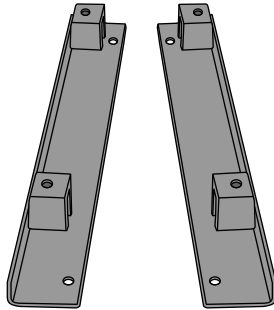
WEAR SEAT BELTS AT ALL TIMES

Read and follow, precisely, all installation instructions provided when installing this product. Failure to do so may result in a poor fit and could place occupants of the vehicle in a potentially dangerous situation.



Parts List and Hardware Identification

Rt. Rear/Lt. Front
Adapter Bracket,
Qty - 1



Lt. Rear/Rt. Front
Adapter Bracket,
Qty - 1



Installation Instruction
Manual, Qty - 1

Tools Needed

13 MM Box End Wrench

Seat Bracket Installation



Caution

Note: Before beginning the seat installation, set the parking brake, place the vehicle in gear or park and chock the wheels to reduce the risk of the vehicle unexpectedly moving, which could result in serious injury.



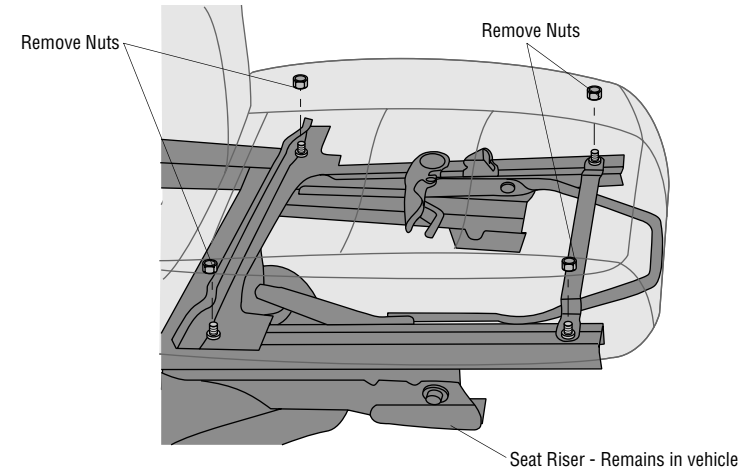
WARNING

The product is designed to be installed on the original seat riser. DO NOT remove or loosen any of the original seat riser anchor bolts. Doing so may cause improper anchoring of the seat, which could result in serious injury, to you and others.

Step One

Remove the existing seat from the vehicle.

Reach up under the seat and remove the four (4) nuts that mount the seat to the riser. It may be easier to reach the rear nuts if you slide the seat forward. Do not throw away the four (4) nuts since they will be reused.

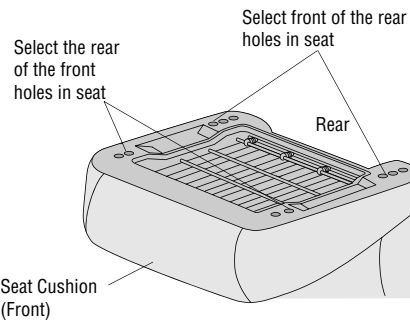
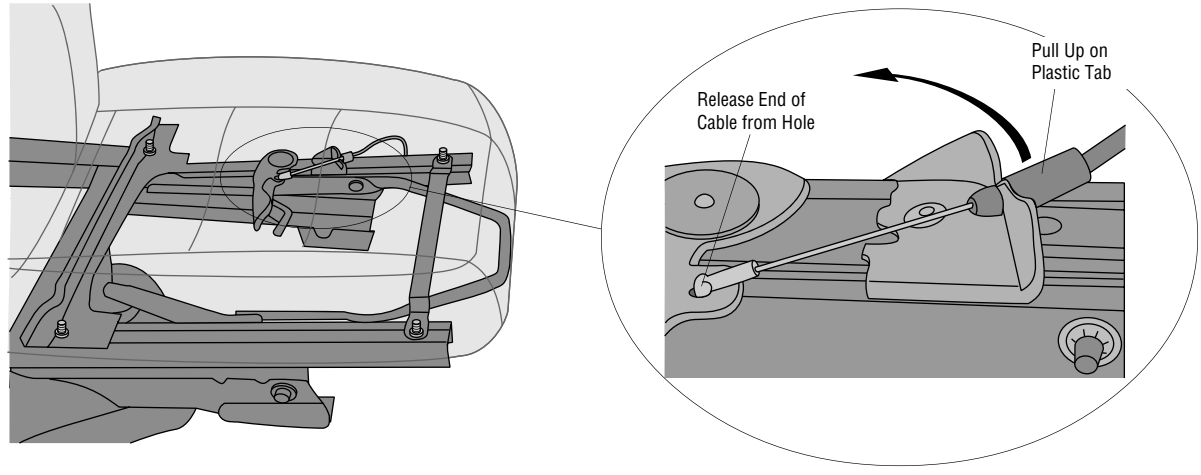


Step Two

Disconnect the Cable Release.

Lift the seat up slightly to allow access to the cable. Lift up on the plastic tab to pull the cable off the mounting bracket, rotate the cable up 90° and pull the end of the cable out of the hole.

Remove the seat from the vehicle.



Hole Pattern

Your new Bestop seat has two (2) mounting holes on each side of the front and three (3) holes on each side of the rear. This allows tracks from various Jeep models to be used with the Bestop seat.

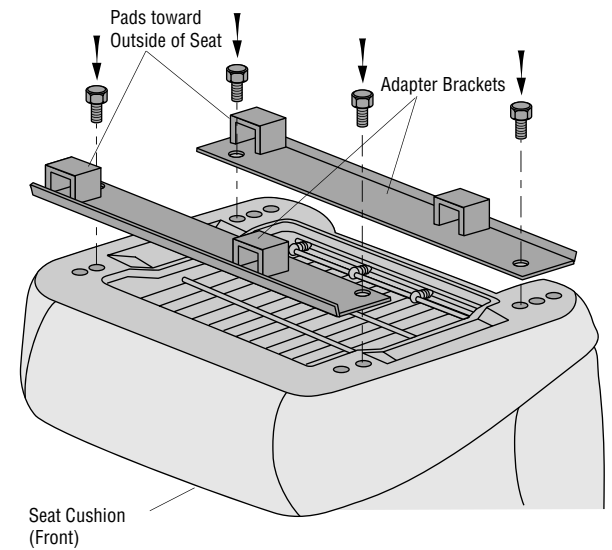
Step Three

Install the Adapter Brackets on the Replacement Seat.

Orient the brackets so that the raised pads are toward the outside of the seat and the lips are toward the front and rear edges.

Place the rear bracket on the seat bottom so that the holes in the bracket line up with the front of the three holes in the bottom of the seat. Install two (2) of the M8-1.25x25 Bolts that came with the seat in the bracket.

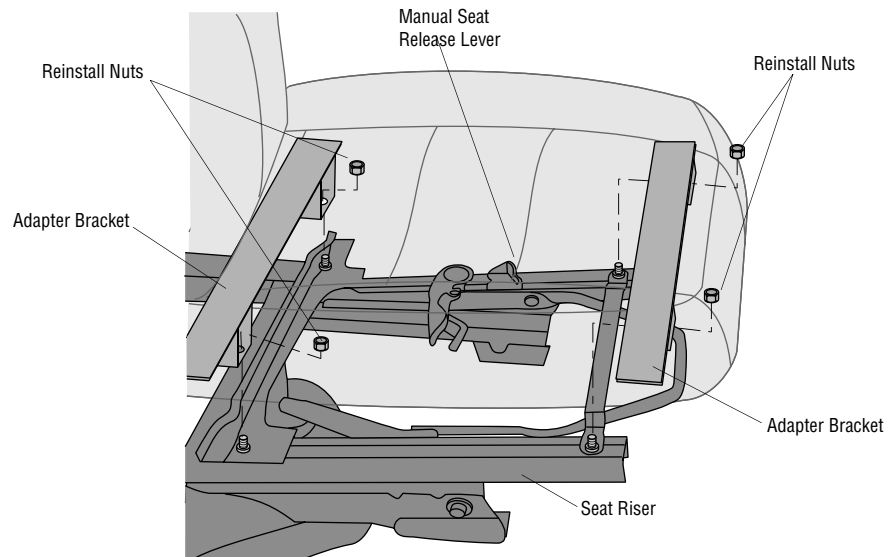
Place the front bracket on the seat bottom so that the holes in the bracket line up with the rear of the two holes in the bottom of the seat. Install two (2) of the M8-1.25x25 Bolts that came with the seat in the bracket.



Step Four

Install the Seat in the Vehicle.

Place the seat in the vehicle. Align the studs on the tracks with the holes in the seat riser. Reinstall the four (4) nuts that were removed in Step One on the track studs. Tighten the nuts.



Note: In order to tumble the seat forward to access the rear of the vehicle, reach under the seat and manually push down on the Seat Release Lever.



WARNING

Never adjust the driver's seat or seat back when the vehicle is moving. You could lose control of the vehicle and injure someone.

This seat system is intended to be used with seat belts at all times. Do not rely on the seat to maintain the seating position of occupants, in the event of an accident.

Always drive and ride with your seat back upright and the lap belt snug across the hips to reduce the risk of serious injury to the abdomen or neck that could be caused by sliding under the seat belts in a collision.

Children should always ride with the seat back in the fully upright position. When the seat back is not fully upright, there is a greater risk that the child will slide under the safety belt and be seriously injured in a collision.

WEAR SEAT BELTS AT ALL TIMES

Care of your Bestop Seat

Your seat is made of the finest materials available. To keep it looking new and for the maximum possible wear, it will need periodic cleaning.

Washing: The seat fabric should be washed often using a mild detergent, warm water and a soft bristle brush. Rinse with clear water to remove all traces of soap.

NOTE: For proper use of child seats in this vehicle, refer to the instructions provided with the child seat and to the vehicle owners manual.

LIMITED WARRANTY

We warrant our product to be free from defects in material and workmanship, for terms specified below, provided there has been normal use and proper maintenance. This warranty applies to the original purchaser only. All remedies under this warranty are limited to the repair or replacement of any item or items found by the factory to be defective within the time period specified.

If you have a warranty claim, first you must call our factory at the number below for instructions. You must retain proof of purchase and submit a copy with any items returned for warranty work. Upon completion of warranty work, if any, we will return the repaired or replaced item or items to you freight prepaid. Damage to our products caused by accidents, fire, vandalism, negligence, misinstallation, misuse, Acts of God, or by defective parts not manufactured by us, is not covered under this warranty.

THE WARRANTY TIME PERIOD IS AS FOLLOWS: ALL "GOODS" MANUFACTURED BY OUR COMPANY: ONE YEAR FROM DATE OF PURCHASE.

ANY IMPLIED WARRANTIES OF MERCHANTABILITY AND/OR FITNESS FOR A PARTICULAR PURPOSE CREATED HEREBY ARE LIMITED IN DURATION TO THE SAME DURATION AND SCOPE AS THE EXPRESS WRITTEN WARRANTY. OUR COMPANY SHALL NOT BE LIABLE FOR ANY INCIDENTAL OR CONSEQUENTIAL DAMAGE.

Some states do not allow limitations on how long an implied warranty lasts, or the exclusion or limitation of incidental or consequential damages, so the above limitations or exclusions may not apply to you.

This warranty gives you specific legal rights, and you may also have other rights which vary from state to state.

For further information or request for warranty work, please contact:

Bestop Inc.
Customer Service
(800)346-3910
(303)465-1755

