



2 Piece Soft Door Kit Installation Instructions

For: Ford Bronco Roadster

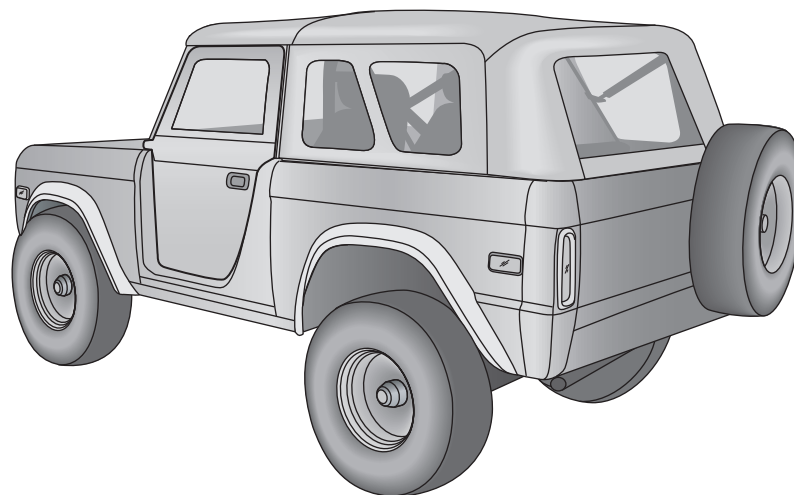
Part Number: 51772

1966 - 1977 (Soft Doors Only, Top Kit not included)

BESTOP

**DO NOT INSTALL THIS PRODUCT ON ANY VEHICLE
OTHER THAN THOSE LISTED ABOVE.**

*This product is only designed for the vehicles listed above.
Failure to install this product on the proper vehicle could cause
injury to the vehicle occupants and damage to the product.*



WARNING

This product is designed to enhance the appearance of the vehicle and to shield the occupants from ordinary weather conditions. Do not rely in any way on the components of this product to contain occupants within the vehicle, or to protect against injury or death in the event of an accident. This product will not protect the occupants from falling objects. Never operate vehicle in excess of manufacturer's specifications.

WEAR SEAT BELTS AT ALL TIMES

Read and follow, precisely, all installation instructions provided when installing this product. Failure to do so may result in a poor fit and could place occupants of the vehicle in a potentially dangerous situation. Failure to properly install or reinstall this product may cause the product or a component part to come off the vehicle, potentially causing an accident and possible injury to the occupants of the vehicle. After installing or reinstalling the product, check to make sure it has been properly installed.

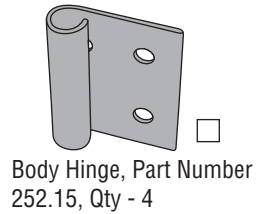
Installation Tips

Before you begin installing this door assembly, read all instructions thoroughly. After completing the installation, keep these instructions for further reference. Below are a few tips to make this installation easier.

For a smooth fit:

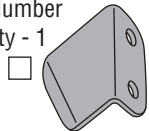
The Softop needs to be in the up position while installing the doors. It is normal for the fabric to contract and wrinkle when stored in the shipping carton. Within a few days after the installation, the fabric will relax and the wrinkles will disappear.

Door, Upper - Right Qty - 1
 Door, Upper - Left Qty - 1
 Door, Lower - Right Qty - 1
 Door, Lower - Left Qty - 1
 Seal, PSA Bulb Qty - 12 ft.

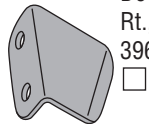


Body Hinge, Part Number 252.15, Qty - 4

Door Latch Striker - Lt., Part Number 396.95, Qty - 1

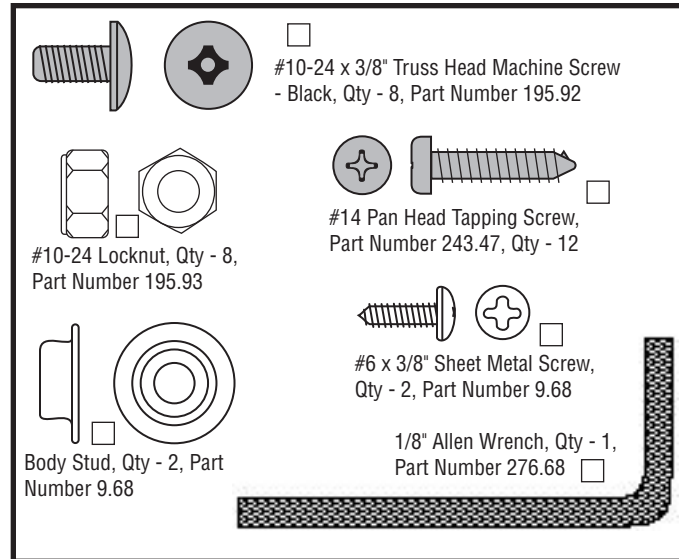


Door Latch Striker - Rt., Part Number 396.94, Qty - 1



Paddle Handle - Door, Part Number 245.46, Qty - 2

Parts List and Hardware Identification



Tools Needed

Adjustable Wrench	3/16" Drill Bit
Pencil	3/32" Drill Bit
Phillips Screwdriver	Chalk
Center Punch	Scissors
Drill Motor	Safety Glasses



Caution

Safety glasses should be worn at all times while installing this product.



Note

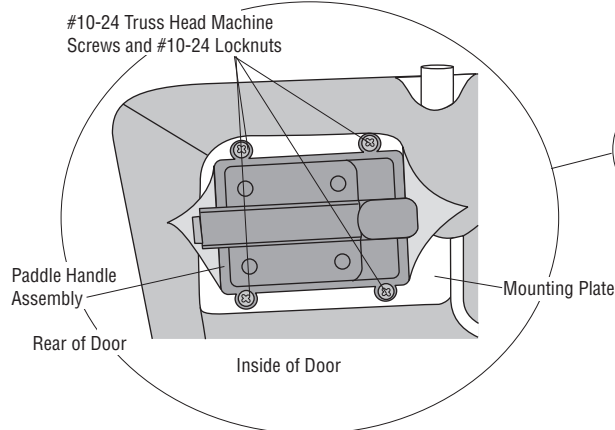
The soft top must be in the up position while installing these doors.

Installation

Step One

INSTALL PADDLE HANDLES

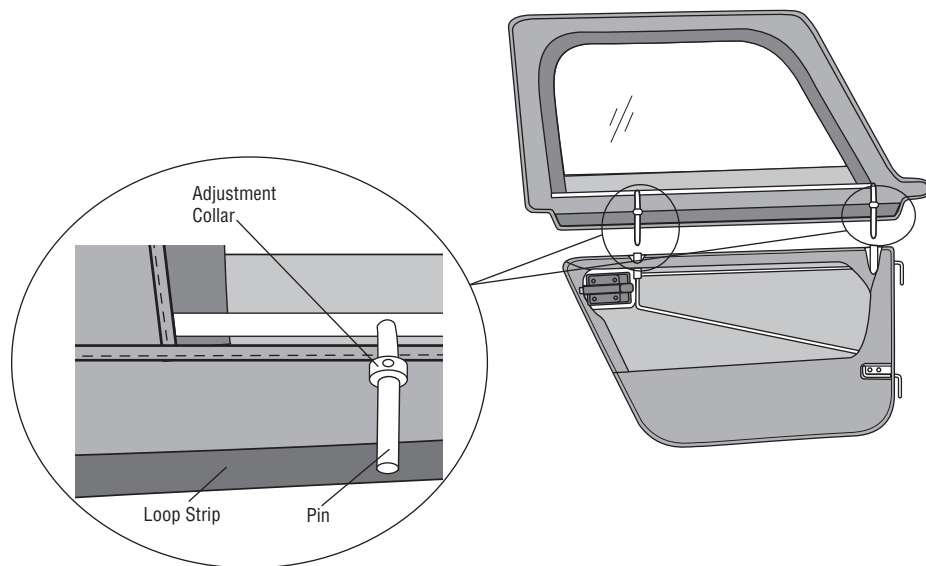
Locate the pre-cut "X" in the lower door panel where the Paddle Handle will fit into the mounting plate on the door frame. Fold the pre-cut fabric back and insert the Paddle Handle into the mounting plate so that the latch mechanism is inside of the vehicle. Align the four holes in the Paddle Handle Assembly with the four holes in the mounting plate. Use a pointed tool to punch four holes in the fabric to match the holes in the Paddle Handle and the mounting plate. Insert four #10-24 Truss Head Machine Screws from the outside and secure them with #10-24 Locknuts. Do not fully tighten the screws at this time. Trim the excess fabric around the Paddle Handle. Repeat for both lower doors.



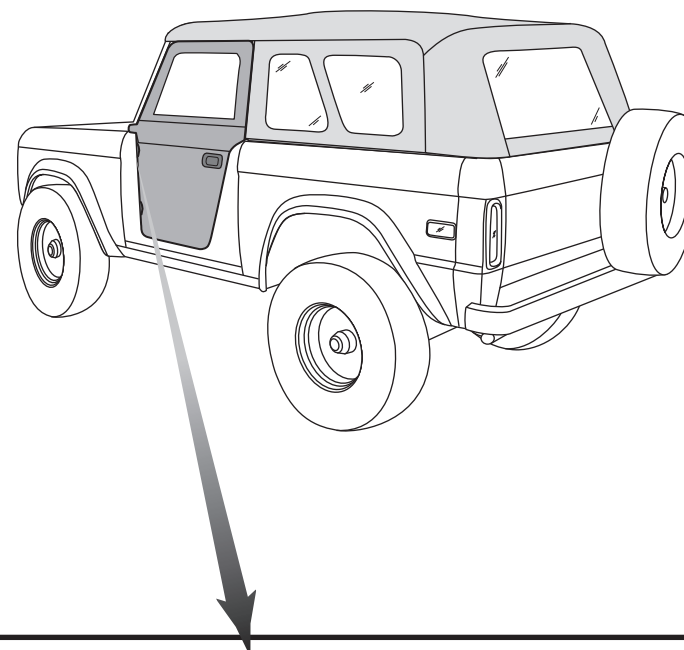
Step Two

ASSEMBLE UPPER AND LOWER DOORS

Install the upper door into the lower door. Starting with the front pin, slip the pins into the sockets in the lower door. Make sure that the pins are well seated in the sockets. Place the door into the opening on the vehicle to check that it fits properly against the body. If necessary, use the 1/8" Allen Wrench, provided in the parts kit, to loosen the Collars on the front and rear upper door pins. The Collars will slide up or down as needed to provide the best fit of the Upper Door against the windshield. Attach the loop strip on the bottom of the upper door to the hook strip on the top of the lower door. If necessary for proper door fit, bend the door slightly.



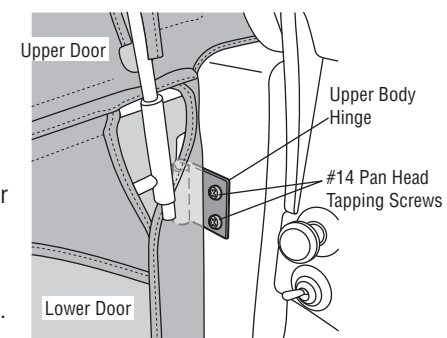
Notes: Remove the red protective covers from the pins before installing the upper doors. Lubricating the upper door pins with a light weight oil will make it easier to install and remove the upper door.



Step Three

INSTALL UPPER BODY HINGE

Remove the Plastic caps from the door hinge pins. From inside the vehicle, rest the door in the door opening and pull it tight against the windshield and soft top frame. Slide a body hinge over the top door hinge pin. Lift the door up about 1/16" with the Body Hinge and mark the Hinge hole locations. Drill a 3/16" hole at the two marked locations. Attach the Body Hinge with two #14 Pan Head Tapping Screws.



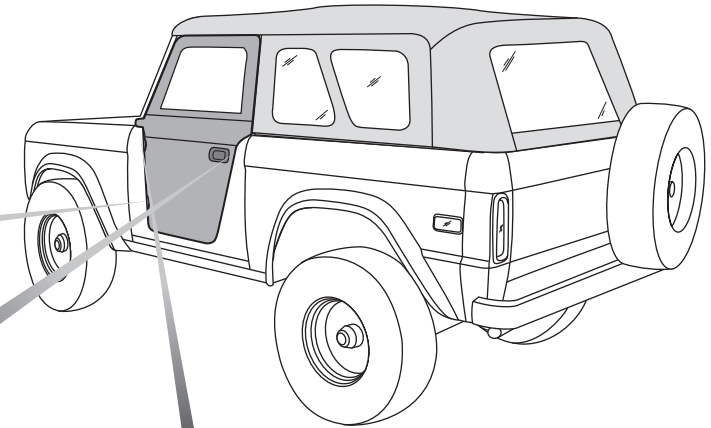
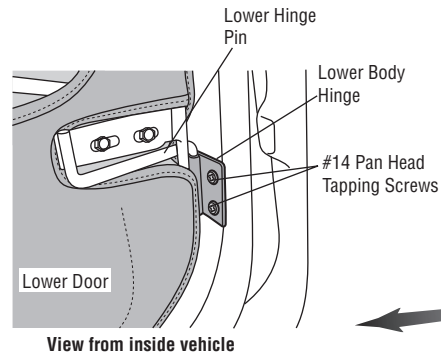
View from inside vehicle

Step Four

INSTALL LOWER BODY HINGES

From inside the vehicle, insert the Lower Door into the top body hinge and pull the door shut. Slide a Body Hinge over the lower door hinge pin. If the Body Hinge does not lay flat against the door opening you can loosen the screws that attach the lower hinge pin and adjust its position. Pull the door tight against the windshield and soft top frame while pushing out on the bottom edge of the door (this will add additional pressure to the top door seal). Mark the location of the lower body hinge. Drill and mount the lower hinge in the same manner as the top.

Repeat Steps Three and Four for the other side of the vehicle.

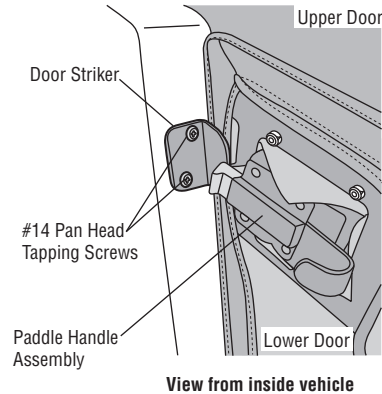


Step Five

INSTALL DOOR STRIKERS

With the door inserted into the Body Hinges, check the fit of the door. The lower door fit can be adjusted by loosening the lower door pin, repositioning the door and then tightening the screws. The upper door can be readjusted as in step two.

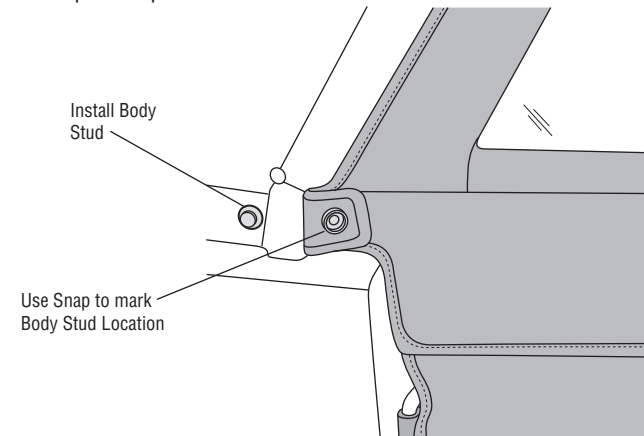
From inside the vehicle, pull the door tightly shut. Locate a Door Striker behind the latch bolt and mark the location of the mounting hole. Make sure the bolt will disengage the striker when the latch is opened. Drill two 3/16" holes and attach the striker with #14 Pan Head Tapping Screws. Make final adjustment to Paddle Handle location and tighten the four mounting screws from step one.



Step Six

INSTALL SECURITY SNAP

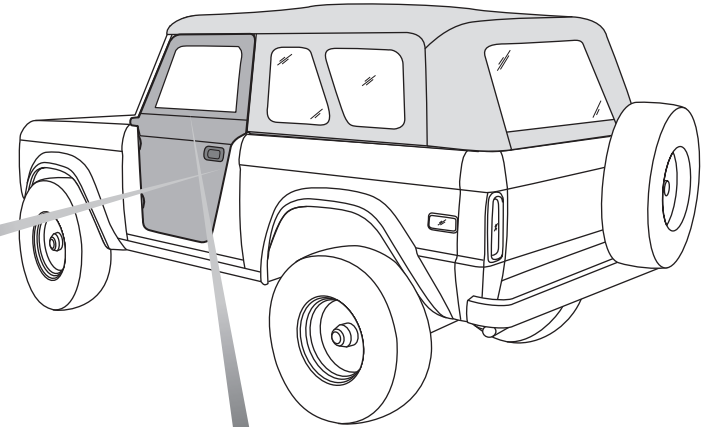
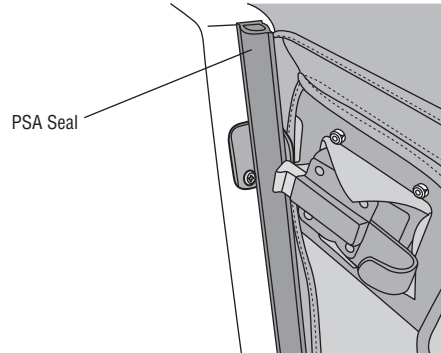
Rub chalk on the socket side of the snap to mark the stud location. With the door shut, pull the flap forward and press the snap against the body. Center punch the center of the chalk mark and drill a 3/32" hole. Install a Body Stud with a #6 x 3/8 Sheet Metal Screw and snap the flap to the stud.



Step Seven

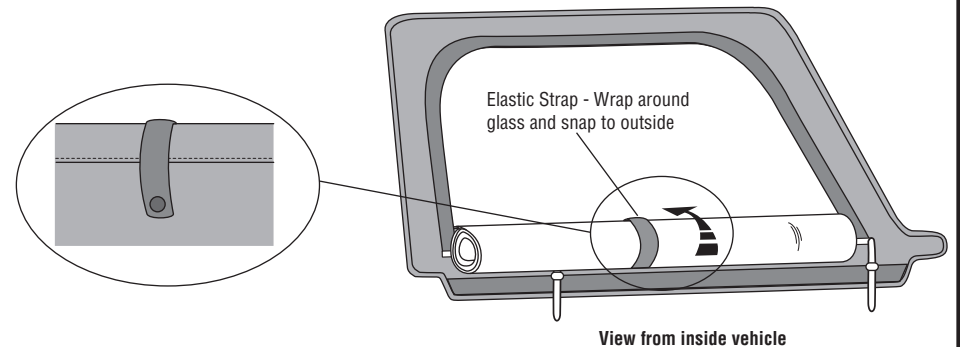
INSTALL LOWER DOOR SEAL

The PSA seal is provided to create a surface for the lower door to shut against and is to be adhered to the body. Shut the door while inside the vehicle. Orient the seal so the seal lip is against the door. Position the front end of the seal tight against the windshield and the door. Pull about 6" of the liner off of the tape as you stick the seal to the door opening. Keep the seal tight against the door as you remove the liner. Apply the seal all the way around the lower door. Cut the seal when you get to the soft top frame. Use the remaining seal on the other side.



Window Feature

An elastic strap is provided to secure the window when it is unzipped. Roll up the window and snap the strap around the window. Only use the strap when the window is clean and the vehicle is in use. Unroll the window when not in use to prevent deformation of the glass.



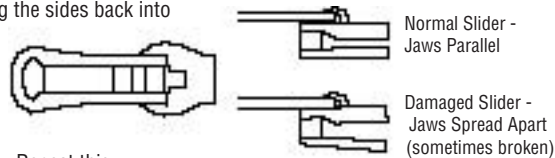
Care and Maintenance of your New Doors

Your doors are made of the finest materials available. To keep it looking new and for the maximum possible wear, it will need periodic cleaning and maintenance.

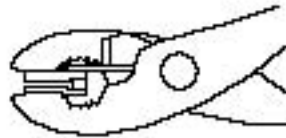
Washing: The fabric should be washed often using soap, warm water and a soft bristle brush. Rinse with clear water to remove all traces of soap.

Windows: Keep windows clean to avoid scratching. **DO NOT** use a brush on the windows! Wash with a watersoaked cloth or sponge and a mild dishwashing detergent. **NEVER WIPE THE WINDOWS WHEN THEY ARE DRY.** Be careful when cleaning snow or frost from the vinyl windows since they are easily scratched and may crack at low temperatures. **DO NOT roll the window in cold weather. The windows become stiff and will crack.**

Zippers: Keeping the zipper cleaned and lubricated with a silicone lubricant will help prevent damage and keep the zippers in a smooth working condition. If a zipper opens behind the slider, the slider may have been spread apart. This problem can usually be repaired by using an ordinary pair of pliers to bring the sides back into parallel. Return slider to the end of the zipper in the normal Open position. Squeeze lightly at first and test the zipper. If the zipper continues to remain open squeeze more firmly with the pliers and try the zipper again. Repeat this procedure until the zipper operates correctly.



Water: In the event of seeping through the seams, 3M Scotchgard® may be applied on the inside of the seams to stop the seepage. Rips in the fabric may be repaired with Bondex® iron on patches. Iron the patches to the Inside of the fabric, carefully following the Bondex® instructions.



Snap: Keep snaps cleaned and lubricated with silicone to help prevent snaps from sticking to the studs. If a snap does become stuck to a stud, use a screwdriver and GENTLY pry apart to prevent permanent damage to the snap or the fabric.

LIMITED WARRANTY

We warrant our product to be free from defects in material and workmanship, for the terms specified below, provided there has been normal use and proper maintenance. This warranty applies to the original purchaser only. All remedies under this warranty are limited to the repair or replacement of any item or items found by the factory to be defective within the time period specified.

If you have a warranty claim, first you must call our factory at the number below for instructions. You must retain proof of purchase and submit a copy with any items returned for warranty work. Upon completion of warranty work, if any, we will return the repaired or replaced item or items to you freight prepaid. Damage to our products caused by accidents, fire, vandalism, negligence, misinstallation, misuse, Acts of God, or by defective parts not manufactured by us, is not covered under this warranty.

THE WARRANTY TIME PERIOD IS AS FOLLOWS: ALL "SOFT GOODS" MANUFACTURED BY OUR COMPANY (USING PRIMARILY VINYL, PLASTICS, AND/OR FOAM): ONE YEAR FROM DATE OF PURCHASE.

ANY IMPLIED WARRANTIES OF MERCHANTABILITY AND/OR FITNESS FOR A PARTICULAR PURPOSE CREATED HEREBY ARE LIMITED IN DURATION TO THE SAME DURATION AND SCOPE AS THE EXPRESS WRITTEN WARRANTY. OUR COMPANY SHALL NOT BE LIABLE FOR ANY INCIDENTAL OR CONSEQUENTIAL DAMAGE.

Some states do not allow limitations on how long an implied warranty lasts, or the exclusion or limitation of incidental or consequential damages, so the above limitations or exclusions may not apply to you.

This warranty gives you specific legal rights, and you may also have other rights which vary from state to state.

For further information or request for warranty work, please contact:

Bestop Inc.
Customer Service
(800)845-3567
(303)465-1755