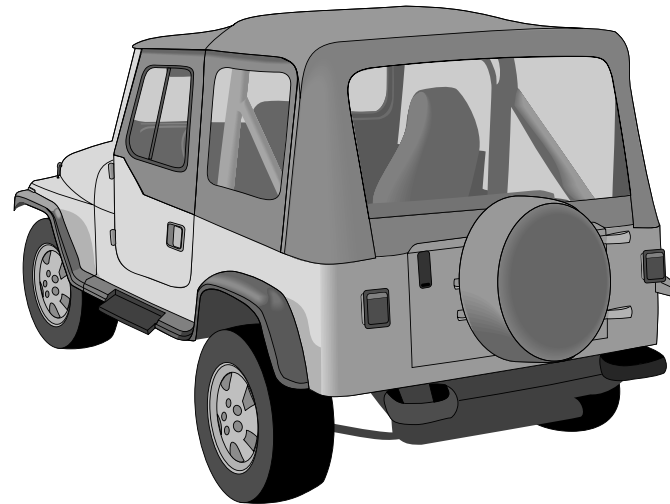




**Upper Door Slider
Installation Instructions
For: Wrangler YJ (1988-1995)**

Part Number: 51785

DO NOT INSTALL THIS PRODUCT ON ANY VEHICLE OTHER THAN THOSE LISTED ABOVE.



WARNING

This product is designed to enhance the appearance of the vehicle and to shield the occupants from ordinary weather conditions. Do not rely in any way on the components of this product to contain occupants within the vehicle, or to protect against injury or death in the event of an accident. This top will not protect the occupants from falling objects. Never operate vehicle in excess of manufacturer's specifications.

WEAR SEAT BELTS AT ALL TIMES

Read and follow, precisely, all installation instructions provided when installing this product. Failure to do so may result in a poor fit and could place occupants of the vehicle in a potentially dangerous situation. Failure to properly install or reinstall this product may cause the top or a component part to come off the vehicle, potentially causing an accident and possible injury to the occupants of the vehicle. After installing or reinstalling the product, check to make sure it has been properly installed.

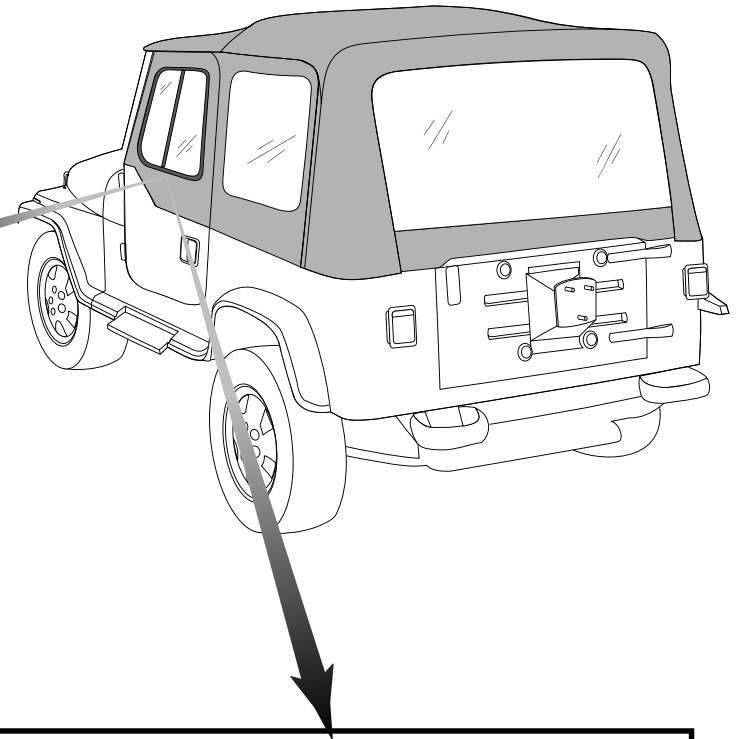
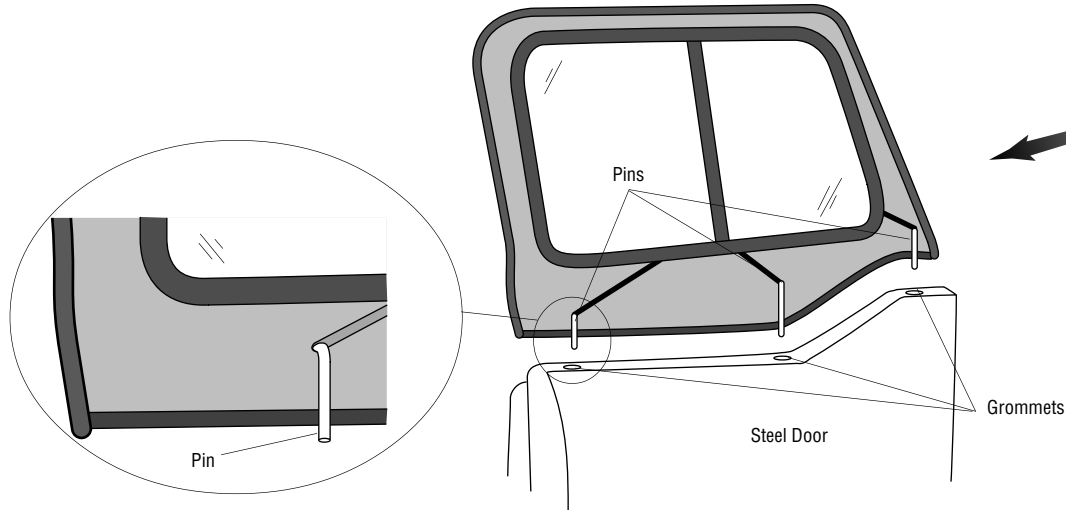
Installation Tips

Before you begin installing this door assembly, read all instructions thoroughly. If you have questions concerning this product, please contact your authorized Bestop Dealer or call out Customer Service Department, Monday - Friday 7:30AM - 5:00PM (MST) at 1-800-346-3910 or 303-456-1755 in Colorado.

Step One

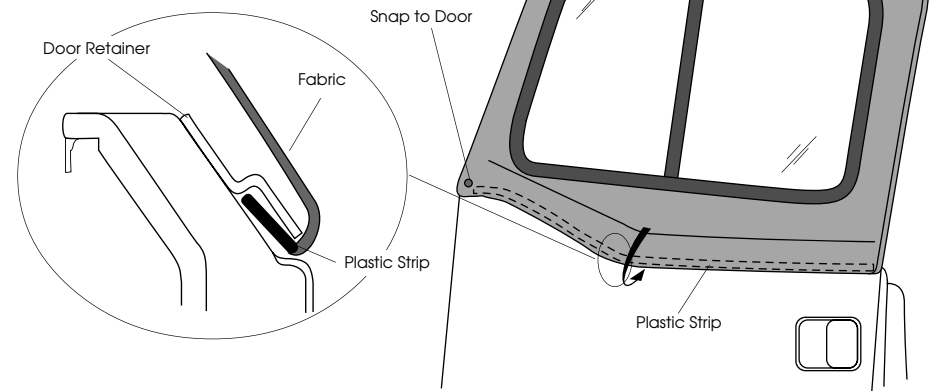
Remove the upper soft doors from your vehicle.

Installing the upper door into the lower steel door, start with the front pin and slip the pins into the sockets in the lower door. Make sure that the pins are well seated in the sockets. Close the door to check that it fits properly against the body.



Step Two

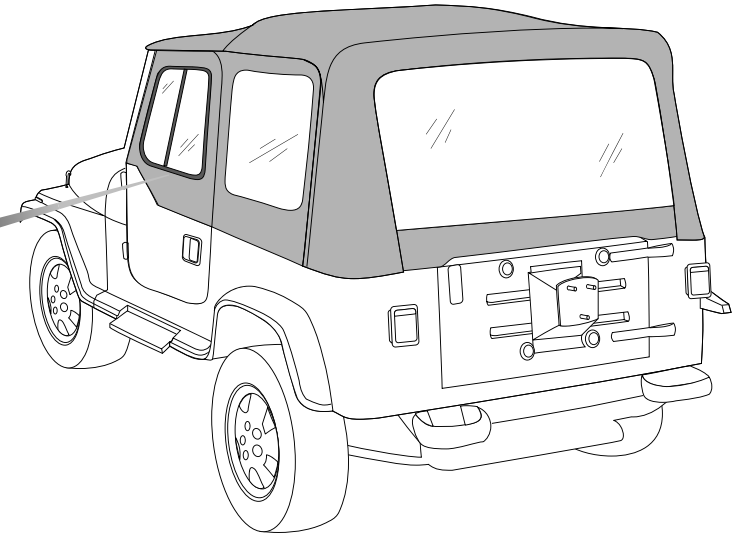
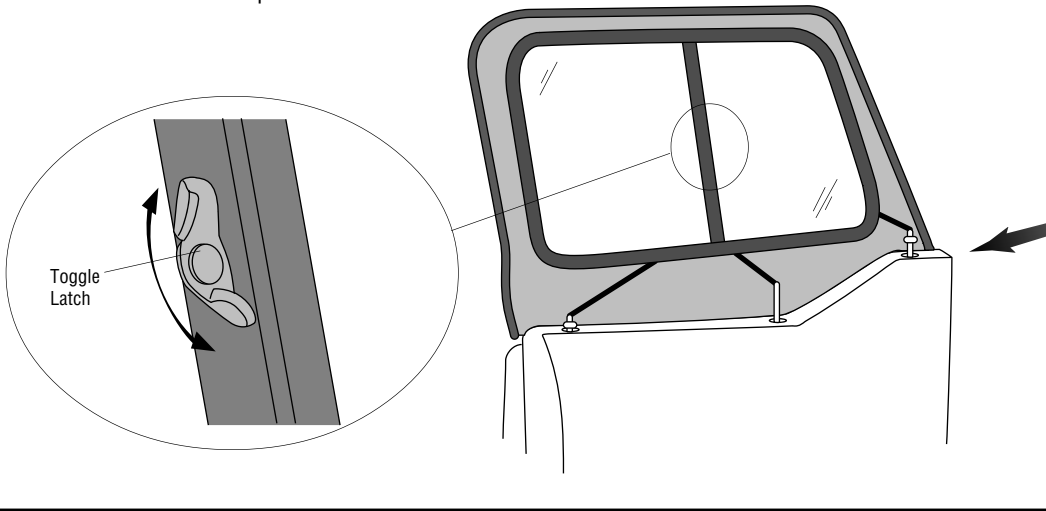
Slip the plastic strip on the bottom of the soft door into the Door Retainer on the steel door. Fasten the snap at front of upper door.



Special Note: This door may be installed on 1986-1987 vehicles, however, the door retainer in Step Two must first be purchased from your dealer.

Step Three

To open the window, rotate the toggle latch until it is dis-engaged from the frame and slide the window open.



Care and Maintenance of your Bestop Doors

Your doors are made of the finest materials available. To keep them looking new and for the maximum possible wear, they will need periodic cleaning and maintenance.

Washing: The fabric should be washed often using soap, warm water and a soft bristle brush. Rinse with clear water to remove all traces of soap.

Water: Seeping through at the seams may be stopped by applying 3-M Scotchgard® on the inside of the seams. Rips in the fabric may be repaired with Bondex® iron on patches. Iron the patches to the Inside of the top, carefully following the Bondex® instructions.

LIMITED WARRANTY

We warrant our product to be free from defects in material and workmanship, for the terms specified below, provided there has been normal use and proper maintenance. This warranty applies to the original purchaser only. All remedies under this warranty are limited to the repair or replacement of any item or items found by the factory to be defective within the time period specified.

If you have a warranty claim, first you must call our factory at the number below for instructions. You must retain proof of purchase and submit a copy with any items returned for warranty work. Upon completion of warranty work, if any, we will return the repaired or replaced item or items to you freight prepaid. Damage to our products caused by accidents, fire, vandalism, negligence, misuse, Acts of God, or by defective parts not manufactured by us, is not covered under this warranty.

THE TERMS OF OUR WARRANTY ARE AS FOLLOWS: ALL "SOFT GOODS" MANUFACTURED BY OUR COMPANY (USING PRIMARILY VINYL, PLASTICS, AND/OR FOAM): 90 DAYS FROM DATE OF PURCHASE.

ANY IMPLIED WARRANTIES OF MERCHANTABILITY AND/OR FITNESS FOR A PARTICULAR PURPOSE CREATED HEREBY ARE LIMITED IN DURATION TO THE SAME DURATION AS THE EXPRESS WRITTEN WARRANTY. OUR COMPANY SHALL NOT BE LIABLE FOR ANY INCIDENTAL OR CONSEQUENTIAL DAMAGE, INCLUDING, WITHOUT LIMITATION, DAMAGES RESULTING FROM THE USE OF THE PRODUCT ON REPAINTED SURFACES (NON-FABRIK ORIGINAL PAINT) AND FADING AND PAINT COLORATION DIFFERENCES RESULTING FROM THE PRODUCT'S SHIELDING PORTIONS OF SURFACES FROM EXPOSURE TO THE SUN AND ELEMENTS WHILE OTHER ADJACENT SURFACES REMAIN COMPLETELY EXPOSED.

Some states do not allow limitations on how long an implied warranty lasts, or the exclusion or limitation of incidental or consequential damages, so the above limitations or exclusions may not apply to you.

This warranty gives you specific legal rights, and you may also have other rights which vary from state to state.

For further information or request for warranty work, please contact:

Bestop Inc.
Consumer Response
(800)346-3910
(303)465-1755

