








Installation Instructions



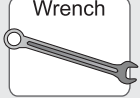

HighRock 4x4™ Element™ Rear Door

Vehicle Application

- Jeep JK Wrangler Unlimited
2007 – Current
Part Number: 51800

www.Bestop.com - We're here to help! Visit our web site and click on ["Ask a Question"](#). Click here for more [Jeep Accessories by Bestop](#).

INSTALLATION TIME	SKILL LEVEL
 1/4 Hour	    1 - Easy

TOOLS			
 Safety Glasses	 Phillips Screwdriver	 Wrench 3/8"	 Torx Wrench T-40





Installation Tips

Before you begin installing this assembly, read all instructions thoroughly.

For a smooth fit:

For ease in installation, the product should be installed at temperatures above 72° F. Below this temperature, the fabric may contract an inch or more, making it difficult to fit to the vehicle. It is normal for fabric to contract and wrinkle when stored in the shipping carton. Within a few days after the installation, the fabric will relax and the wrinkles will disappear.

 **CAUTION** Safety glasses should be worn at all times while installing this product.

 **WARNING** This product is designed primarily to enhance the appearance of the vehicle and to shield the occupants from ordinary weather conditions. Do not rely in any way on the components of this product to contain occupants within the vehicle, or to protect against injury or death in the event of an accident. This product will not protect the occupants from falling objects. Never operate the vehicle in excess of manufacturer's specifications.

WEAR SEAT BELTS AT ALL TIMES

Read and follow, precisely, all installation instructions provided when installing product. Failure to do so may result in a poor fit and could place occupants of the vehicle in a potentially dangerous situation.

HighRock 4x4™ Element™ Rear Door – Installation Instructions


Parts List and Hardware Identification

Right Door Frame	Qty - 1
Right Door Bag	Qty - 1
Left Door Frame	Qty - 1
Left Door Bag	Qty - 1


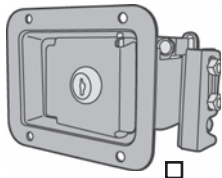
#10-32 Truss Head Machine Screw - Black, Part Number 316.82, Qty - 8



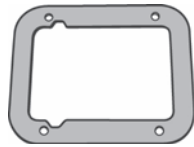
#10-32 Low Profile Nut - Black, Part Number 316.94, Qty - 8



Door Restraint, Part Number 428.59, Qty - 2

Rotary Latch Paddle Handle, Right, Qty - 1, Left, Qty - 1, Part Number 459.24 and 459.25

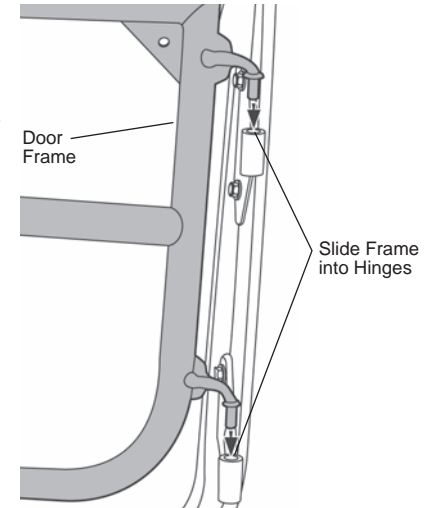


Latch Plate, Qty - 2 Part number 429.41

2 Insert Pins into Hinges

Hold the door straight out from the vehicle with the hinge pins over the body hinges. Lower the pins into the hinges. Make sure that the pins are fully inserted into the body hinges. Adjust the factory hinges and latch pin if necessary to ensure the latch engages securely.

NOTE To adjust the latch pin, loosen the two (2) attachment screws with a T-40 Torx driver. Reposition the pin so it fully engages into the latch and then retighten the screws. Be sure to readjust the pin if different doors are used later.



! WARNING

The Paddle Handle must align correctly with the automobile manufacturer's original equipment steel latch pin, located on the vehicle. Failure to properly install the Paddle Handle may result in the door actually opening. **IMPROPER CLOSURE COULD RESULT IN SERIOUS INJURY OR DEATH TO THE OCCUPANTS. DRIVE CAREFULLY.**

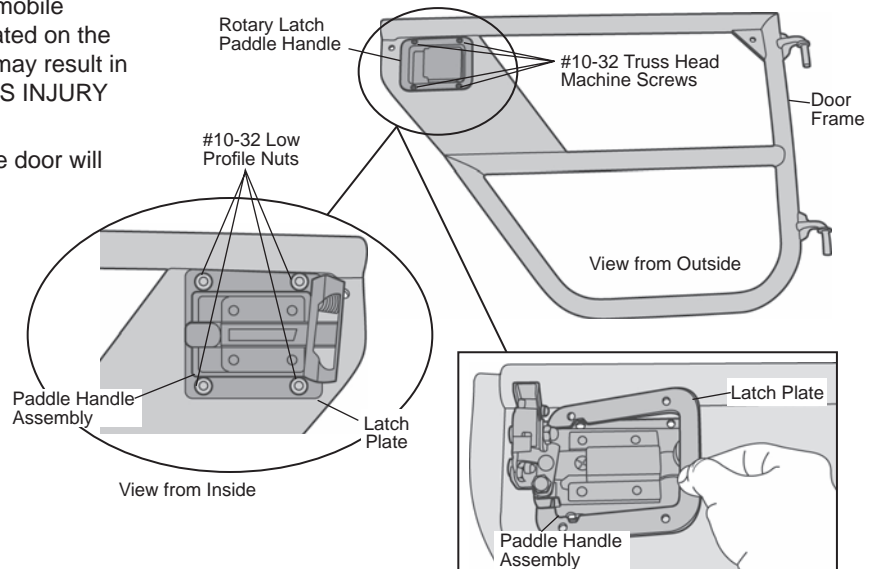
The Element™ Door system is equipped for protection against the elements. The door will not contain the occupants during an accident. Wear seatbelts at all times.

1 Install Paddle Handles

Insert the Paddle Handle into the opening in the door plate so that the latch mechanism is inside of the vehicle and the Rotary Latch Mechanism is toward the rear of the door. Place the Latch Plate over the Paddle Handle on the inside of the door. Align the holes in the Paddle Handle and Latch Plate. Insert four #10-32 Truss Head Machine Screws from the outside and secure them with #10-32 Locknuts. Do not tighten the screws until all four are in place.

NOTE

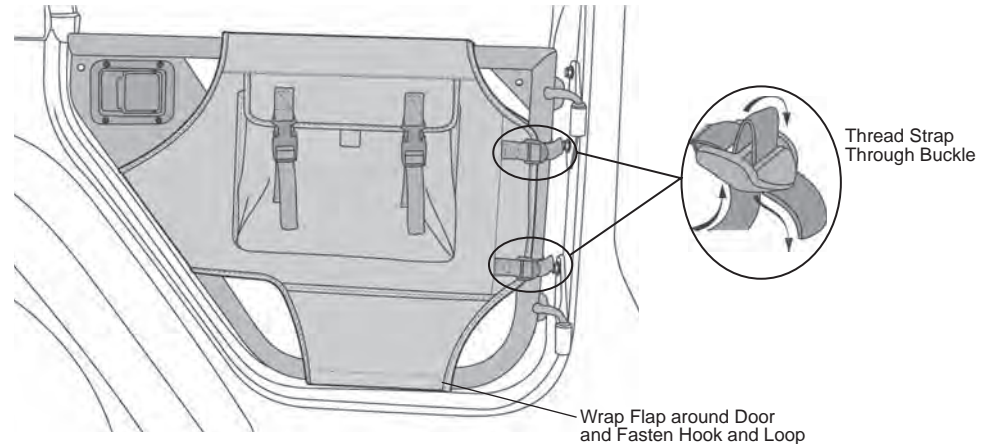
Important: You should check the alignment of the Paddle Handle to the steel latch pin before tightening the screws. If out of alignment, realign it and retighten the screws securely. Repeat for both doors.



HighRock 4x4™ Element™ Rear Door – Installation Instructions

3 Install Door Bags

The Door Bags are reversible and can be installed with the pockets facing into the vehicle or out. Place a Door Bag over the Door Frame from the top. Wrap the Loop tabs under and around the frame and attach them to the Hook fasteners on the Bag. Thread the web straps on the front of the Bag through the buckles. Pull the ends of the straps to tighten. Adjust the straps and the hook and loop fasteners for a smooth fit. Repeat this procedure with both Door Bags.



LIMITED WARRANTY

We warrant our product to be free from defects in material and workmanship, for the terms specified below, provided there has been normal use and proper maintenance. This warranty applies to the original purchaser only. All remedies under this warranty are limited to the repair or replacement of any item or items found by the factory to be defective within the time period specified. If you have a warranty claim, first you must call our factory at the number below for instructions. You must retain proof of purchase and submit a copy with any items returned for warranty work. Upon completion of warranty work, if any, we will return the repaired or replaced item or items to you freight prepaid. Damage to our products caused by accidents, fire, vandalism, negligence, misinstallation, misuse, Acts of God, or by defective parts not manufactured by us, is not covered under this warranty.

THE WARRANTY TIME PERIOD IS AS FOLLOWS FOR REPLACE-A-TOP™, SAILCLOTH REPLACE-A-TOP™, SUPERTOP®, SUPERTOP® REPLACEMENT SKINS, SUNRIDER®, AND TIGERTOP®: TWO YEARS FROM DATE OF PURCHASE.

THE WARRANTY TIME PERIOD IS AS FOLLOWS FOR ALL OTHER "SOFT GOODS" MANUFACTURED BY OUR COMPANY (USING PRIMARILY VINYL, PLASTICS, AND/OR FOAM): ONE YEAR FROM DATE OF PURCHASE.

THE WARRANTY TIME PERIOD IS AS FOLLOWS FOR ALL OTHER "HARD GOODS" MANUFACTURED BY OUR COMPANY (USING PRIMARILY METALS, PLASTICS, AND/OR FIBERGLASS): ONE YEAR FROM DATE OF PURCHASE.

ANY IMPLIED WARRANTIES OF MERCHANTABILITY AND/OR FITNESS FOR A PARTICULAR PURPOSE CREATED HEREBY ARE LIMITED IN DURATION TO THE SAME DURATION AND SCOPE AS THE EXPRESS WRITTEN WARRANTY. OUR COMPANY SHALL NOT BE LIABLE FOR ANY INCIDENTAL OR CONSEQUENTIAL DAMAGE.

Some states do not allow limitations on how long an implied warranty lasts, or the exclusion or limitation of incidental or consequential damages, so the above limitations or exclusions may not apply to you. This warranty gives you specific legal rights, and you may also have other rights which vary from state to state.



For further information or request for warranty work, please contact:

Bestop Inc., Customer Service

Toll-Free: (800)845-3567

Main: (303)465-1755

E-mail: csbestop@Bestop.com

Website: www.Bestop.com