







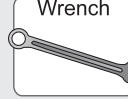
# Installation Instructions HighRock 4x4™ Element™ Enclosure Kit

## Vehicle Application

- Jeep JK Wrangler and JK Wrangler Unlimited  
(2 Door and 4 Door Models)  
2007 – Current  
Part Number: 51803

[www.Bestop.com](http://www.Bestop.com) - We're here to help! Visit our web site and click on "[Ask a Question](#)". Click here for more [Jeep Accessories by Bestop](#).

INSTALLATION TIME	SKILL LEVEL
 <b>1/2 Hour</b>	 <b>1 - Easy</b>

TOOLS		
 Safety Glasses	 Phillips Screwdriver	 Wrench 3/8" and 7mm





### Installation Tips

Before you begin installing this assembly, read all instructions thoroughly.

#### For a smooth fit:

For ease in installation, the product should be installed at temperatures above 72° F. Below this temperature, the fabric may contract an inch or more, making it difficult to fit to the vehicle. It is normal for fabric to contract and wrinkle when stored in the shipping carton. Within a few days after the installation, the fabric will relax and the wrinkles will disappear.

 **CAUTION** Safety glasses should be worn at all times while installing this product.

 **WARNING** This product is designed primarily to enhance the appearance of the vehicle and to shield the occupants from ordinary weather conditions. Do not rely in any way on the components of this product to contain occupants within the vehicle, or to protect against injury or death in the event of an accident. This product will not protect the occupants from falling objects. Never operate the vehicle in excess of manufacturer's specifications.

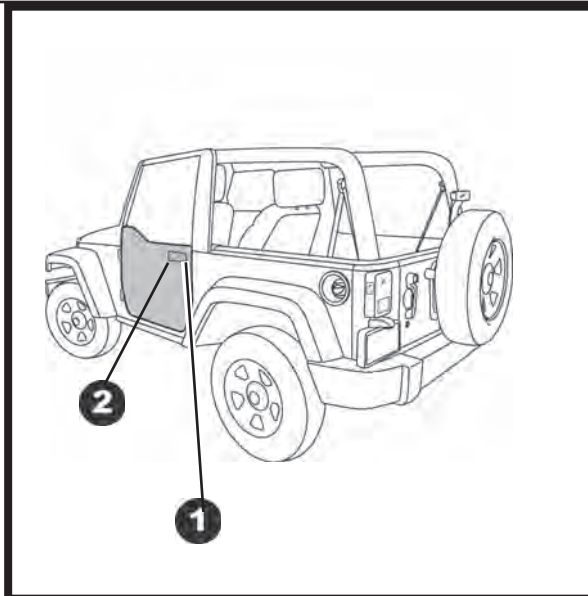
#### WEAR SEAT BELTS AT ALL TIMES

Read and follow, precisely, all installation instructions provided when installing product. Failure to do so may result in a poor fit and could place occupants of the vehicle in a potentially dangerous situation.

# HighRock 4x4™ Element™ Enclosure Kit – Installation Instructions

## Parts List

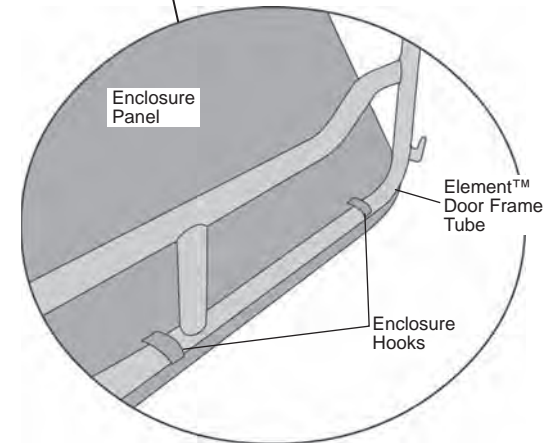
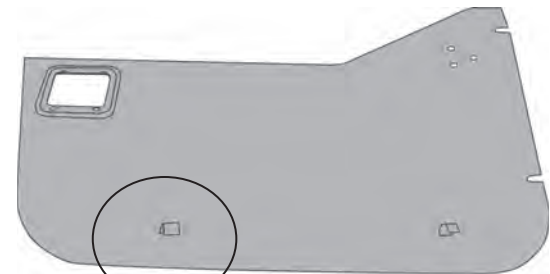
Right Door Enclosure, Part Number 444.38 Qty - 1  
 Left Door Enclosure, Part Number 444.39 Qty - 1



## 2 Install Enclosure Panel

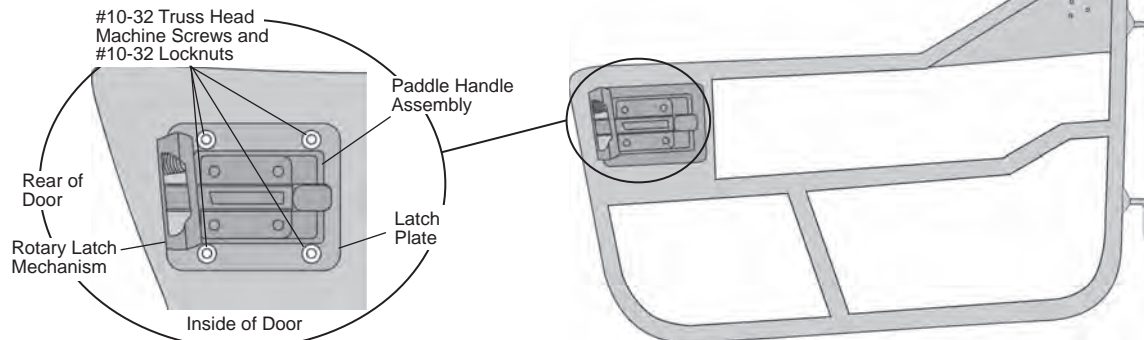
Engage hooks onto Element Door Tube frame and pivot into position. Make sure that the hooks are fully seated onto the tube. Align paddle latch, and mirror holes.

**NOTE** Make sure to install the Element Door Sport Bag with the pockets toward the inside of the vehicle when using both the Enclosure and the Sport Bag.



## 1 Remove Paddle Handle and Latch Plate

Remove the four #10-32 Truss Head Machine Screws and Locknuts that secure the Paddle Handle and Latch Plate to the door. Remove the three screws that mount the mirror to the door.



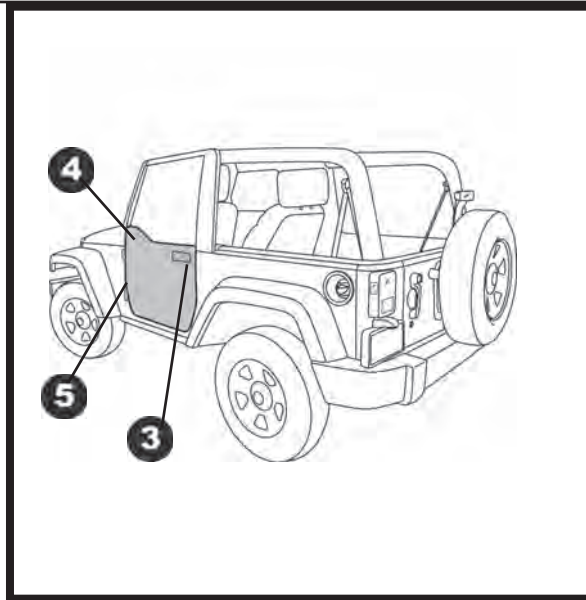
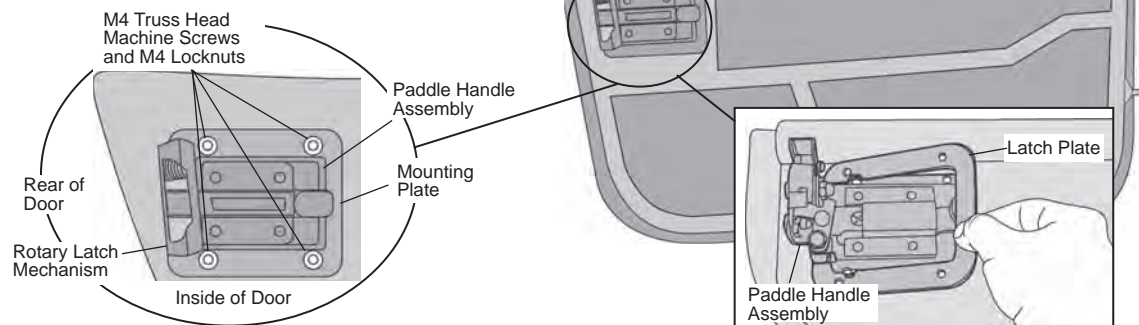
# HighRock 4x4™ Element™ Enclosure Kit – Installation Instructions

**! WARNING** It is important that the Paddle Handle must align correctly with the automobile manufacturer's original equipment steel latch pin located on the vehicle. Failure to properly install the paddle handle may result in the door accidentally opening. **IMPROPER CLOSURE COULD RESULT IN SERIOUS INJURY OR DEATH TO THE OCCUPANTS. WEAR SEAT BELTS AT ALL TIMES. DRIVE CAREFULLY.**

**! WARNING** The Element Door System is equipped for protection against the elements. The door will not contain occupants during an accident. Wear Seatbelts at all times **IMPORTANT:** You should check alignment of the Paddle Handle to the steel latch pin before tightening the screws. If out of alignment, align and retighten the screws securely. Repeat for both lower doors.

## 3 Reinstall Paddle Handle

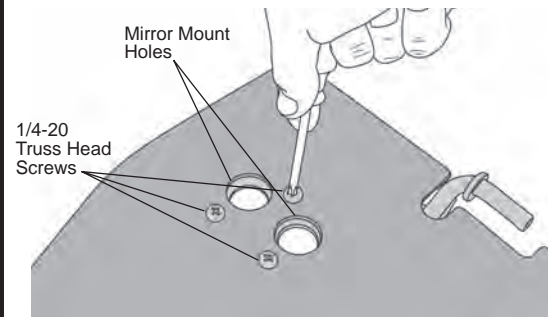
Insert the Paddle Handle into the opening in the door plate so that the latch mechanism is inside of the vehicle and the Rotary Latch Mechanism is toward the rear of the door. Place the Latch Plate over the Paddle Handle on the inside of the door. Align the holes in the Paddle Handle and Latch Plate. Insert four M4 Truss Head Machine Screws from the outside and secure them with M4 Locknuts. Do not tighten the screws until all four are in place.



## 4 Secure Enclosure

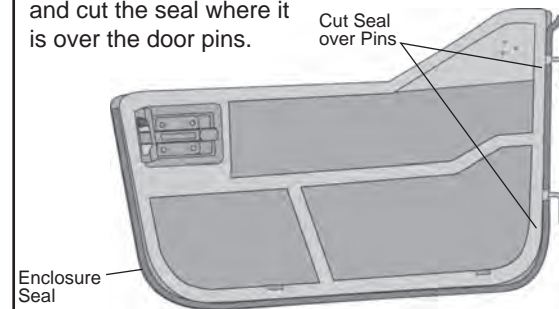
Reinstall the mirror if using.

If you are not using a mirror, install three (3) 1/4-20 Truss Head Screws in the small holes in each door.



## 5 Install Enclosure Seal

Once Enclosure panel is in place, install the Enclosure Seal. Peel off the adhesive tape on one end of the seal and press it onto the inside top back corner of the Enclosure panel. Work towards the front of the door aligning the seal to the outer most edge of the Enclosure panel and peeling off the backing tape as you go. Trim the excess seal on the ends and cut the seal where it is over the door pins.



# HighRock 4x4™ Element™ Enclosure Kit – Installation Instructions

---

## LIMITED WARRANTY

We warrant our product to be free from defects in material and workmanship, for the terms specified below, provided there has been normal use and proper maintenance. This warranty applies to the original purchaser only. All remedies under this warranty are limited to the repair or replacement of any item or items found by the factory to be defective within the time period specified. If you have a warranty claim, first you must call our factory at the number below for instructions. You must retain proof of purchase and submit a copy with any items returned for warranty work. Upon completion of warranty work, if any, we will return the repaired or replaced item or items to you freight prepaid. Damage to our products caused by accidents, fire, vandalism, negligence, misinstallation, misuse, Acts of God, or by defective parts not manufactured by us, is not covered under this warranty.

THE WARRANTY TIME PERIOD IS AS FOLLOWS FOR REPLACE-A-TOP™, SAILCLOTH REPLACE-A-TOP™, SUPERTOP®, SUPERTOP® REPLACEMENT SKINS, SUNRIDER®, AND TIGERTOP®: TWO YEARS FROM DATE OF PURCHASE.

THE WARRANTY TIME PERIOD IS AS FOLLOWS FOR ALL OTHER “SOFT GOODS” MANUFACTURED BY OUR COMPANY (USING PRIMARILY VINYL, PLASTICS, AND/OR FOAM): ONE YEAR FROM DATE OF PURCHASE.

THE WARRANTY TIME PERIOD IS AS FOLLOWS FOR ALL OTHER “HARD GOODS” MANUFACTURED BY OUR COMPANY (USING PRIMARILY METALS, PLASTICS, AND/OR FIBERGLASS): ONE YEAR FROM DATE OF PURCHASE.

ANY IMPLIED WARRANTIES OF MERCHANTABILITY AND/OR FITNESS FOR A PARTICULAR PURPOSE CREATED HEREBY ARE LIMITED IN DURATION TO THE SAME DURATION AND SCOPE AS THE EXPRESS WRITTEN WARRANTY. OUR COMPANY SHALL NOT BE LIABLE FOR ANY INCIDENTAL OR CONSEQUENTIAL DAMAGE.

Some states do not allow limitations on how long an implied warranty lasts, or the exclusion or limitation of incidental or consequential damages, so the above limitations or exclusions may not apply to you. This warranty gives you specific legal rights, and you may also have other rights which vary from state to state.



For further information or request for warranty work, please contact:  
Bestop Inc., Customer Service  
Toll-Free: (800) 845-3567  
Main: (303) 465-1755  
E-mail: [csbestop@Bestop.com](mailto:csbestop@Bestop.com)  
Website: [www.Bestop.com](http://www.Bestop.com)

\*All or a portion of this product may be made in China or South Africa.