



Installation Instructions

For: *Jeep® Wrangler* **TJ Strapless Bikini** Part Number **52521**

To be used with or without Soundbar

To be used with or without Door Side Rails

Congratulations on your purchasing decision. Bestop designed this Convertible Top to give you years of dependability and performance with proper care. If you encounter any problems during the installation of your Convertible Top, or at any later date, please contact your authorized Bestop dealer or call our Consumer Response Department, Monday - Friday 8AM - 4:30PM (MST) at 1-800-346-3910 or (303) 465-1755 in Colorado.

Note: Must be used with a TJ Windshield Channel Kit Part Number 51210-01.

WARNING

This product is designed primarily to enhance the appearance of the vehicle and to shield the occupants from ordinary weather conditions. Do not rely in any way on the components of this product to contain occupants within the vehicle, or to protect against injury or death in the event of an accident. This top will not protect the occupants from falling objects. Never operate vehicle in excess of manufacturer's specifications.

WEAR SEAT BELTS AT ALL TIMES

Read and follow, precisely, all installation instructions provided when installing top. Failure to do so may result in a poor fitting top and could place occupants of the vehicle in a potentially dangerous situation.

Installation Tips

Before you begin installing this top assembly, read all instructions thoroughly. Below are a few tips to make this installation easier.

For a smooth fit:

For ease in installation, the top should be installed at temperatures above 72° F. Below this temperature, the top may contract an inch or more, making it difficult to fit to the vehicle.

It is normal for a top to contract and wrinkle when stored in the shipping carton. Within a few days after the installation, the top will relax and the wrinkles will disappear.

Parts List

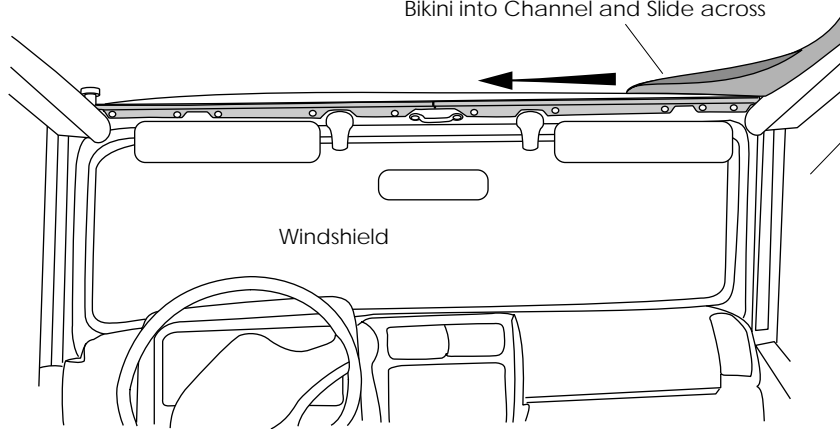
Bikini

Qty - 1

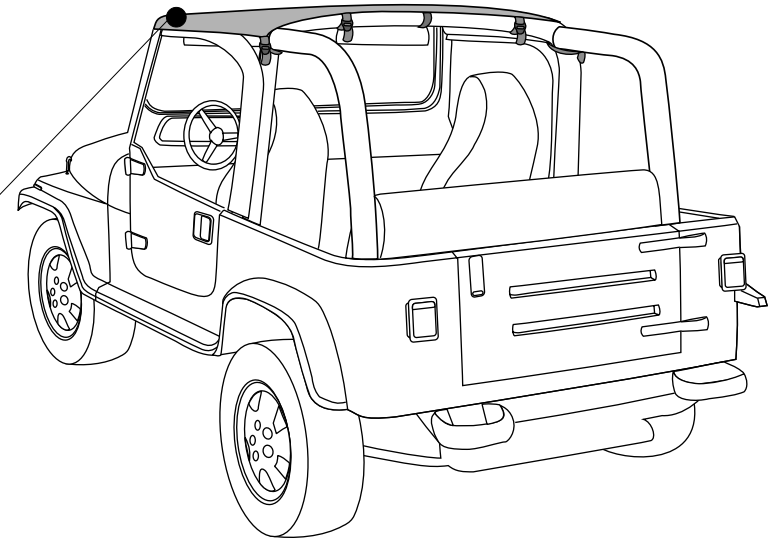
Step One

Orient the Bikini with the plastic ridge to the front and the straps toward the back. Start on one side of the vehicle and slide the plastic ridge of the Bikini into the Windshield Channels, working it into position all the way across the front of the vehicle. Make sure that the fabric is centered in the retainers, as well as the Plastic Retainer centered relative to the ends of the Windshield Channel.

Insert plastic ridge on front edge of Bikini into Channel and Slide across

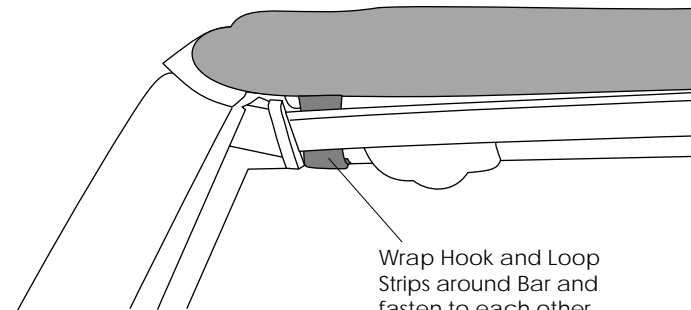


View from inside vehicle -
looking toward front



Step Two

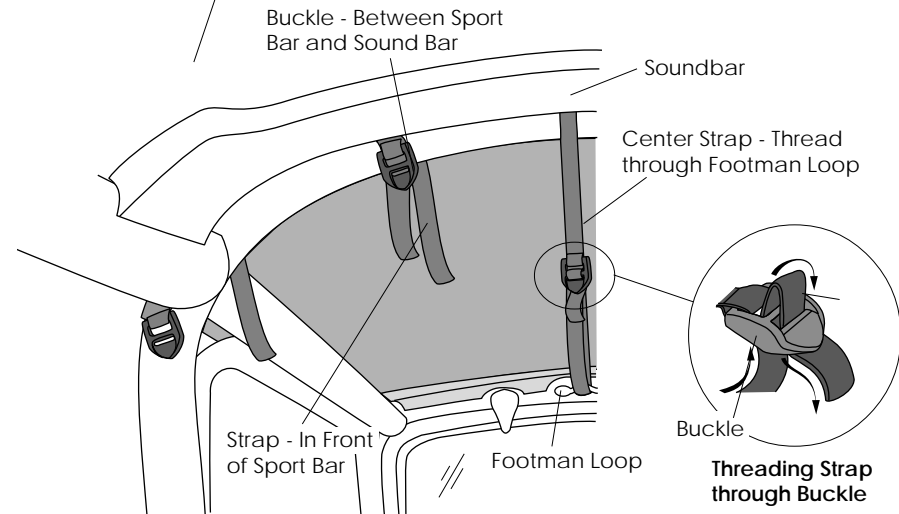
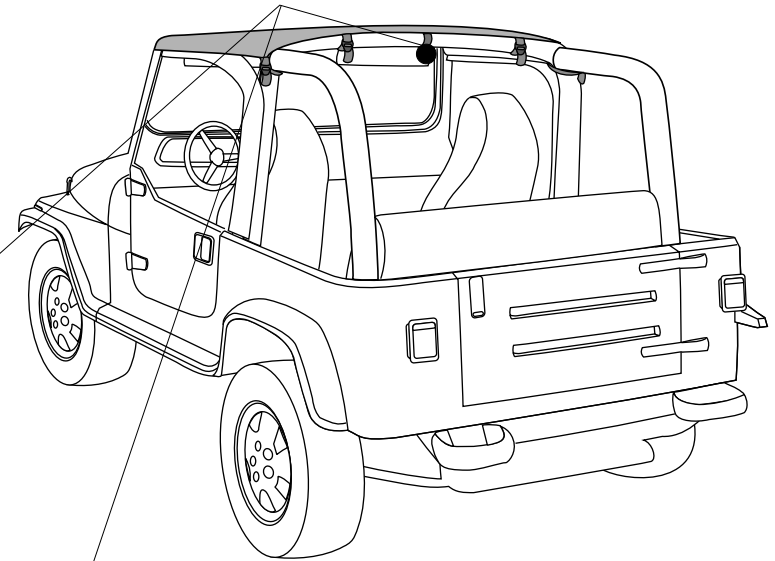
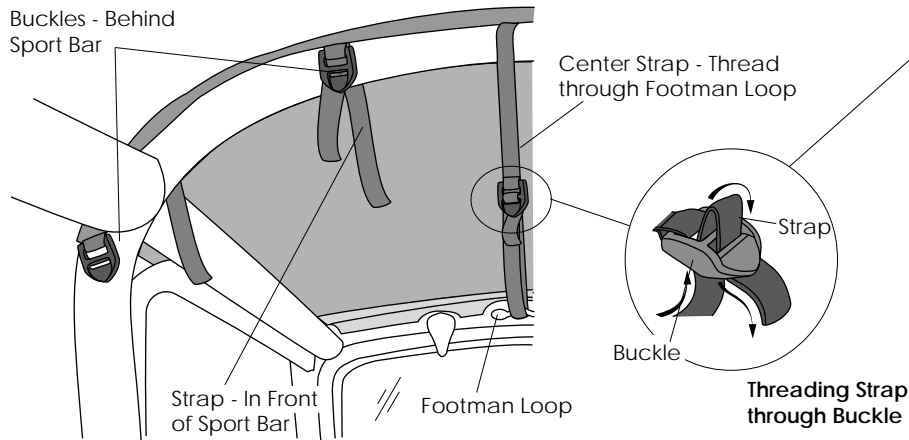
Locate the hook and loop strips sewn to the front corners of the Bikini. Wrap the strips around the horizontal bar, above the door and fasten them to each other.



Step Three - Without Soundbar

Drape the fabric over the sport bar. Make sure that the long tails of the straps on the rear of the Bikini are in front of the sport bar and that the buckle end of the strap is behind the sport bar, except the long center strap and the two outside straps.

Wrap the long center strap at the rear of the Bikini around the sport bar, pull it forward into the vehicle to the windshield. Thread the strap through the footman loop on the windshield frame. Then pull the end of the strap back and thread it through the buckle. Tighten it securely.



Step Three - With Soundbar

Drape the fabric over the sport bar. Make sure that the long tails of the straps on the rear corners of the Bikini are in front of the sport bar and that the long center strap is resting on top of the soundbar.

Start with the center strap and push the end of the strap between the sport bar and the soundbar. Push the end of the strap through until you can get ahold of the strap to pull the buckle through. Do this on all of the straps.

-See Note Below-

Wrap the long center strap at the rear of the Bikini around the sport bar, pull it forward into the vehicle to the windshield. Thread the strap through the footman loop on the windshield frame. Then pull the end of the strap back and thread it through the buckle. Tighten it securely.

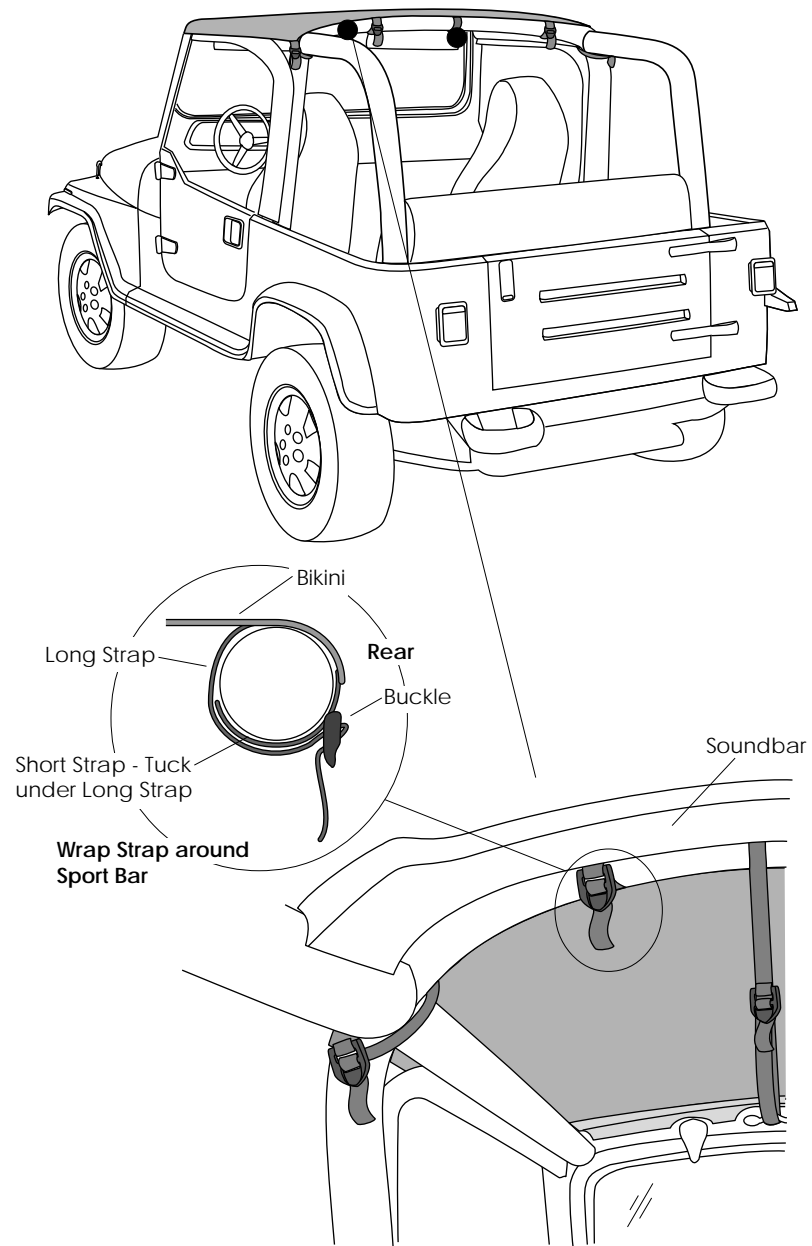
Note: Some soundbars fit extremely tight against the sport bar preventing the buckles easy access to the straps. If this is the case, the soundbar must be moved slightly rearward. The distance will vary on each vehicle.

Remove the four bolts securing the soundbar in place. Reposition the soundbar rearward (check the clearance for buckle accessibility), notch out the soundbar attachment brackets accordingly - in most cases it will be less than 1/4". Reinstall the four bolts.

Step Four

Wrap the straps sewn to the rear corners around the sport bar and thread them through the buckles on the rear corners of the Bikini.

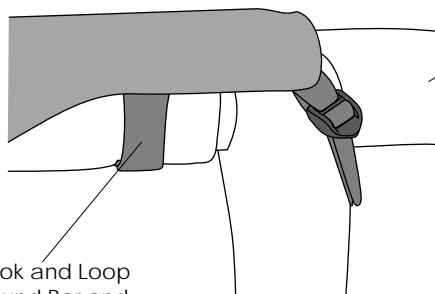
Then wrap two short straps around the sport bar and tuck the short end of the strap under the long end. Thread the long ends of the straps back through the buckles and pull them tight.



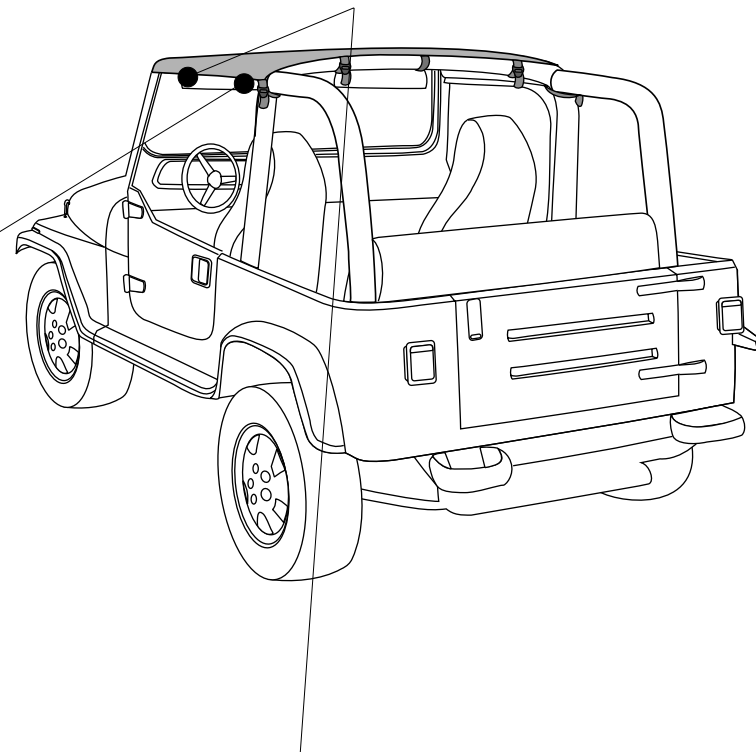
Without Door Side Rails

Step Five

Locate the hook and loop strips sewn to the Bikini just in front of the Sport Bar. Wrap the strips around the horizontal bar and fasten them to each other.

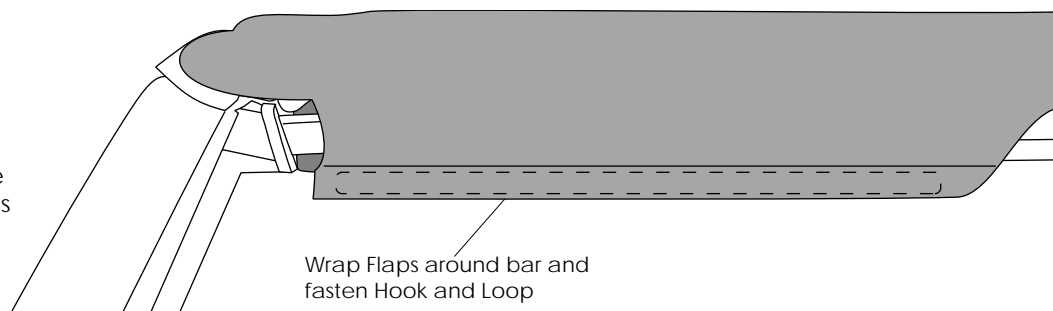


Wrap Hook and Loop Strips around Bar and fasten to each other



Step Six

Locate the flap sewn inside the Bikini above the door opening. Wrap the inside and outside flaps around the horizontal sport bar and fasten the Hook and Loop Strips to each other.

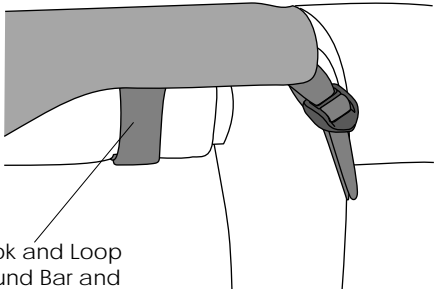


Wrap Flaps around bar and fasten Hook and Loop

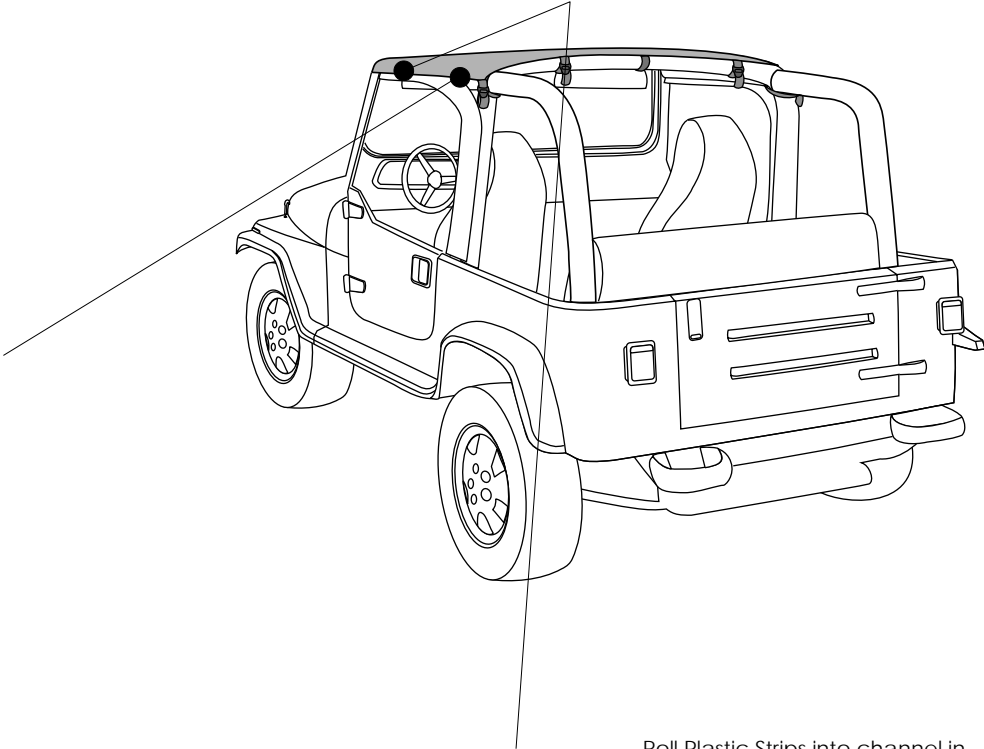
With Door Side Rails

Step Five

Locate the hook and loop strips sewn to the Bikini just in front of the Sport Bar. Wrap the strips around the horizontal bar and fasten them to each other.

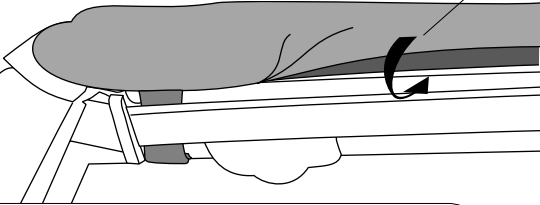


Wrap Hook and Loop Strips around Bar and fasten to each other



Step Six

Locate the two plastic strips sewn to the sides of the Bikini, above each door. Slip the strips into the channel in the Door Side Rail.



Roll Plastic Strips into channel in Door Side Rail

Note: When removing the Bikini, it will be easiest to remove the plastic strips by starting at the front of the plastic and pulling down and out.

Care and Maintenance of your Bestop Top

Your top is made of the finest materials available. To keep it looking new and for the maximum possible wear, it will need periodic cleaning and maintenance.

Washing: The top fabric should be washed often using soap, warm water and a soft bristle brush. Rinse with clear water to remove all traces of soap.

Water: Seeping through at the seams may be stopped by applying 3-M Scotchgard® on the inside of the seams. Rips in the fabric may be repaired with Bondex® iron on patches. Iron the patches to the inside of the top, carefully following the Bondex® instructions.

LIMITED WARRANTY

We warrant our product to be free from defects in material and workmanship, for the terms specified below, provided there has been normal use and proper maintenance. This warranty applies to the original purchaser only. All remedies under this warranty are limited to the repair or replacement of any item or items found by the factory to be defective within the time period specified.

If you have a warranty claim, first you must call our factory at the number below for instructions. You must retain proof of purchase and submit a copy with any items returned for warranty work. Upon completion of warranty work, if any, we will return the repaired or replaced item or items to you freight prepaid. Damage to our products caused by accidents, fire, vandalism, negligence, misinstallation, misuse, Acts of God, or by defective parts not manufactured by us, is not covered under this warranty.

THE WARRANTY TIME PERIOD IS AS FOLLOWS: ALL "SOFT GOODS" MANUFACTURED BY OUR COMPANY (USING PRIMARILY VINYL, PLASTICS, AND/OR FOAM): ONE YEAR FROM DATE OF PURCHASE.

ANY IMPLIED WARRANTIES OF MERCHANTABILITY AND/OR FITNESS FOR A PARTICULAR PURPOSE CREATED HEREBY ARE LIMITED IN DURATION TO THE SAME DURATION AND SCOPE AS THE EXPRESS WRITTEN WARRANTY. OUR COMPANY SHALL NOT BE LIABLE FOR ANY INCIDENTAL OR CONSEQUENTIAL DAMAGE.

Some states do not allow limitations on how long an implied warranty lasts, or the exclusion or limitation of incidental or consequential damages, so the above limitations or exclusions may not apply to you.

This warranty gives you specific legal rights, and you may also have other rights which vary from state to state.

For further information or request for warranty work, please contact:

Bestop Inc.
Customer Service
(800)346-3910
(303)465-1755



52521 7