






Installation Instructions Header Bikini[®], Safari Version

Vehicle Application

- Jeep Wrangler JK Unlimited (4 Door)
2007 and newer
Part Number: 52581

www.Bestop.com - We're here to help! Visit our web site and click on ["Ask a Question"](#). Click here for more [Jeep Accessories by Bestop](#).

INSTALLATION TIME	SKILL LEVEL
 1/2 Hour	 1 - Easy

TOOLS
 Safety Glasses




This product must be used with a Windshield Header Kit Part Number 51243.


Installation Tips

Before you begin installing this assembly, read all instructions thoroughly.

For a smooth fit:

For ease in installation, the product should be installed at temperatures above 72° F. Below this temperature, the fabric may contract an inch or more, making it difficult to fit to the vehicle. It is normal for fabric to contract and wrinkle when stored in the shipping carton. Within a few days after the installation, the fabric will relax and the wrinkles will disappear.

 **CAUTION** Safety glasses should be worn at all times while installing this product.

 **WARNING** This product is designed primarily to enhance the appearance of the vehicle and to shield the occupants from ordinary weather conditions. Do not rely in any way on the components of this product to contain occupants within the vehicle, or to protect against injury or death in the event of an accident. This product will not protect the occupants from falling objects. Never operate the vehicle in excess of manufacturer's specifications.

WEAR SEAT BELTS AT ALL TIMES

Read and follow, precisely, all installation instructions provided when installing product. Failure to do so may result in a poor fit and could place occupants of the vehicle in a potentially dangerous situation.

Header Bikini®, Safari Version – Installation Instructions

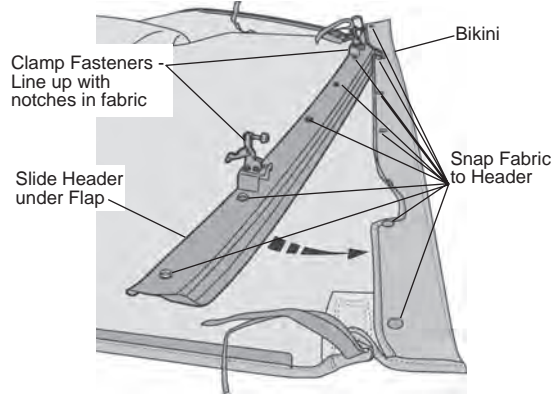
Parts List

Bikini

Qty - 1

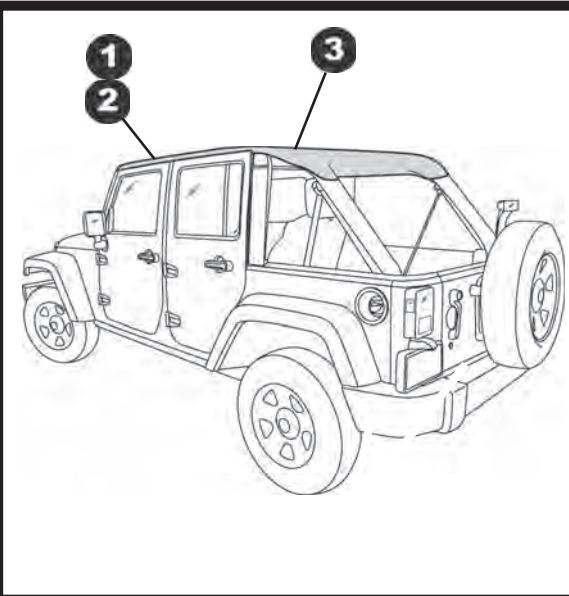
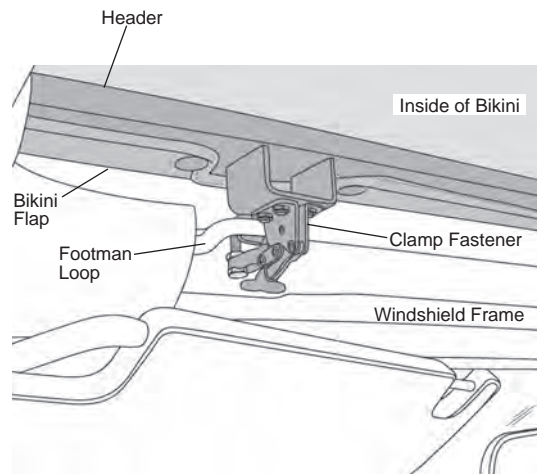
1 Install Bikini on Header

Slide the pocket sewn along the front of the Bikini over the edge of the header on the vehicle and line up the Clamp Fasteners with the notches in the fabric flap. Snap the fabric to the header.



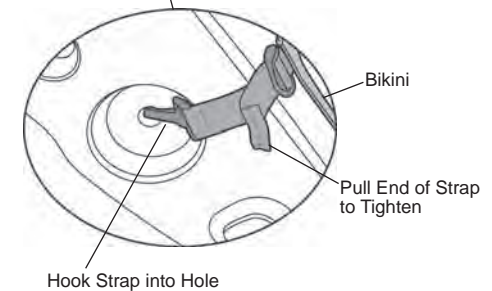
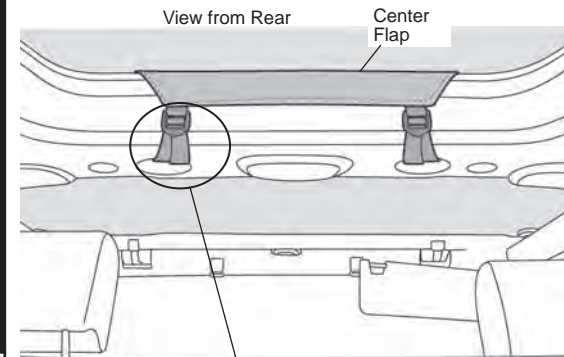
2 Secure Header to Windshield

Close the header on the windshield frame so that the Clamp Fasteners line up with the footman loops on each end of the windshield frame. Center the Bikini on the vehicle. Slip the tabs on the Clamp Fasteners through the loops and close the Clamp Fasteners.



3 Secure Center Strap

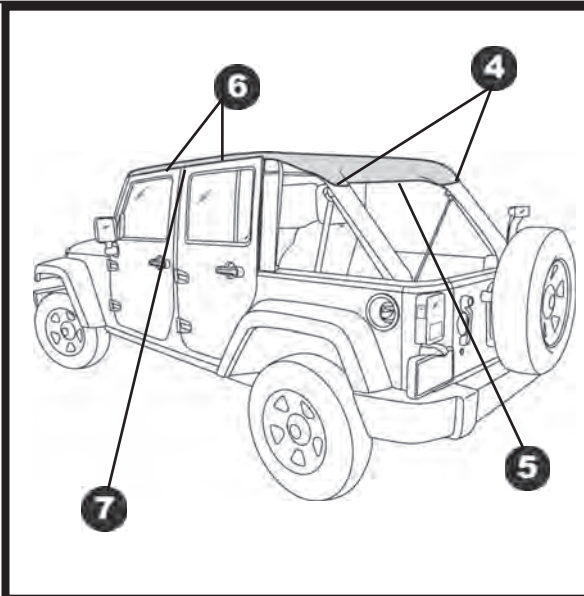
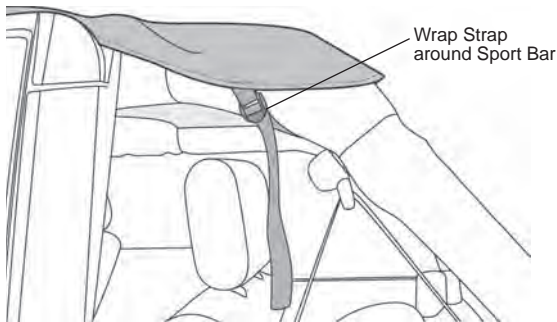
Drape the Bikini over the speaker pod. Locate the two straps sewn to the center flap of the bikini. Pull the straps under the pod and hook each strap into the opening as shown. Pull the end of each strap to tighten securely.



Header Bikini®, Safari Version – Installation Instructions

4 Secure Rear Corners

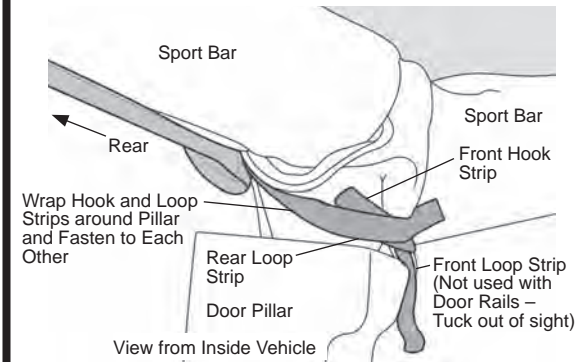
Locate the buckle straps sewn to the rear corners of the Bikini. Wrap the straps around the sport bars, thread the ends of the straps through the buckles and pull them tight.



7 Secure Hook and Loop Strips – Vehicles without Side Door Rails

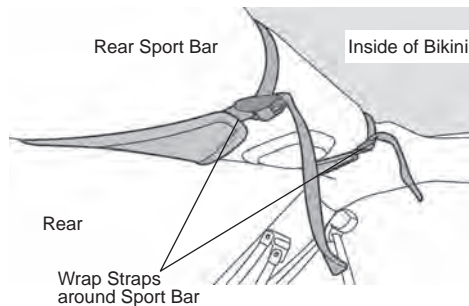
Vehicles with Side Door Rails skip to Step 8.

Locate the hook and loop strips sewn to the Bikini on each side of the door pillar. Wrap them around the door pillar and fasten them to each other.



5 Secure Rear Buckle Straps

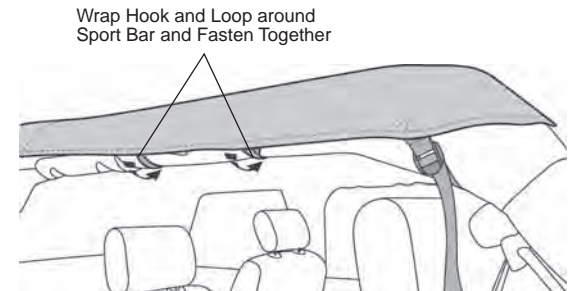
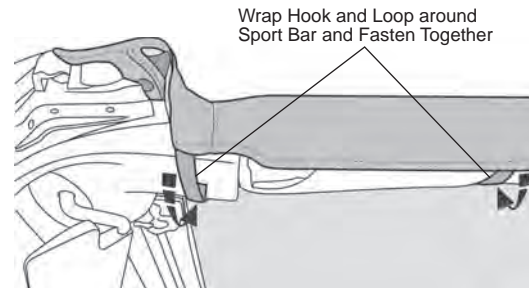
Locate the two (2) buckle straps sewn to the rear of the Bikini. Wrap the straps around the rear sport bar, thread the ends of the straps through the buckles and pull them tight.



6 Secure Hook and Loop Strips – Vehicles without Side Door Rails

Vehicles with Side Door Rails skip to Step 8.

Locate the hook and loop strips sewn to the front flaps and the three (3) pairs of hook and loop strips sewn along the side of the Bikini. Wrap them around the horizontal sport bar and fasten them to each other.

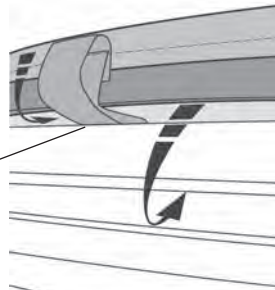


Header Bikini®, Safari Version – Installation Instructions

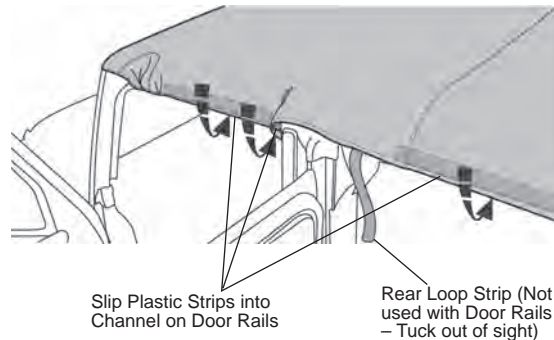
8 Secure Plastic Strips – Vehicles with Side Door Rails

Vehicles without Side Door Rails skip the remaining steps.

Locate the hook and loop strips sewn to the front and rear flaps of the Bikini. Tuck the hook strips between the Bikini and the horizontal sport bar to be secured later. Then locate the plastic strip above the door opening and tuck the hook and loop strips sewn here inside of the Bikini. Slip the plastic strip into the channel in the Door Rail. Repeat this with the rear plastic strip. Finally insert the small plastic strip between the larger ones into the channel in the Door Rail above the door pillar.

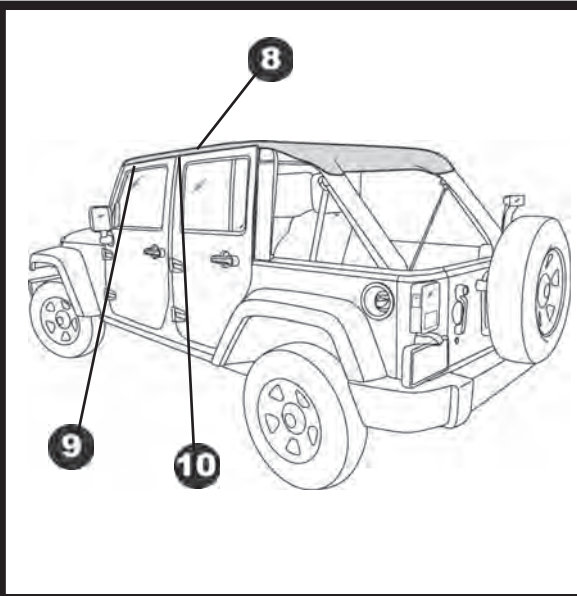


Tuck Hook and Loop Strips under Bikini



Slip Plastic Strips into Channel on Door Rails

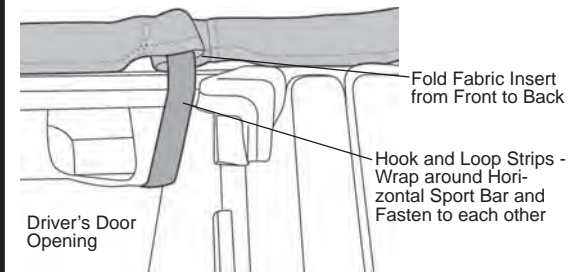
Rear Loop Strip (Not used with Door Rails – Tuck out of sight)



10 Secure Rear Flaps – Vehicles with Side Door Rails

Vehicles without Side Door Rails skip the this step.

Fold the rear flap from front to back, so that it lays flat on top of the horizontal bar and wrap the loop strip around the Door Rail. Fasten it to the hook strip slipped under the Bikini in Step 8.



Fold Fabric Insert from Front to Back

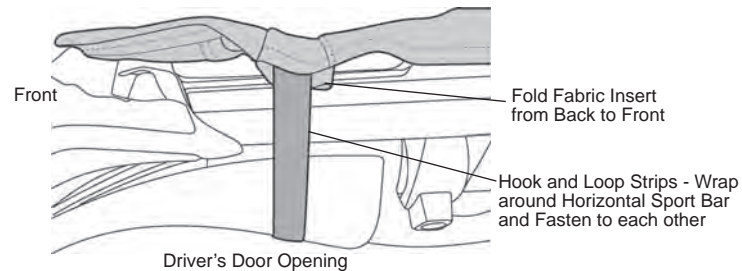
Hook and Loop Strips - Wrap around Horizontal Sport Bar and Fasten to each other

Driver's Door Opening

9 Secure Front Flaps – Vehicles with Side Door Rails

Vehicles without Side Door Rails skip the remaining steps.

Fold the front flap from back to front, so that it lays flat on top of the horizontal bar and wrap the loop strip around the Door Rail. Fasten it to the hook strip slipped under the Bikini in the last step.



Fold Fabric Insert from Back to Front

Hook and Loop Strips - Wrap around Horizontal Sport Bar and Fasten to each other

Driver's Door Opening

Header Bikini®, Safari Version – Installation Instructions

Care and Maintenance of your Bestop Product

Your Bestop product is made of the finest materials available. To keep it looking new and for the maximum possible wear, it will need periodic cleaning and maintenance.

Washing: The fabric should be washed often using soap, warm water and a soft bristle brush. Rinse with clear water to remove all traces of soap or use Bestop-recommended Bestop Cleaner and Bestop Protectant. Bestop Cleaner and Bestop Protectant are specially formulated to provide a total cleaning and protection system. Bestop Cleaner will not harm vehicle finish, is biodegradable and environmentally friendly. Bestop Protectant protects against UV-fading, cracking and hardening.

Water: Seeping through at the seams may be stopped by applying 3-M Scotchgard® on the inside of the seams. Rips in the fabric may be repaired with Bondex® iron on patches. Iron the patches to the Inside of the top, carefully following the Bondex® instructions.

LIMITED WARRANTY

We warrant our product to be free from defects in material and workmanship, for the terms specified below, provided there has been normal use and proper maintenance. This warranty applies to the original purchaser only. All remedies under this warranty are limited to the repair or replacement of any item or items found by the factory to be defective within the time period specified. If you have a warranty claim, first you must call our factory at the number below for instructions. You must retain proof of purchase and submit a copy with any items returned for warranty work. Upon completion of warranty work, if any, we will return the repaired or replaced item or items to you freight prepaid. Damage to our products caused by accidents, fire, vandalism, negligence, misinstallation, misuse, Acts of God, or by defective parts not manufactured by us, is not covered under this warranty.

THE WARRANTY TIME PERIOD IS AS FOLLOWS FOR REPLACE-A-TOP™, SAILCLOTH REPLACE-A-TOP™, SUPERTOP®, SUPERTOP® REPLACEMENT SKINS, SUNRIDER®, AND TIGERTOP®: TWO YEARS FROM DATE OF PURCHASE.

THE WARRANTY TIME PERIOD IS AS FOLLOWS FOR ALL OTHER "SOFT GOODS" MANUFACTURED BY OUR COMPANY (USING PRIMARILY VINYL, PLASTICS, AND/OR FOAM): ONE YEAR FROM DATE OF PURCHASE.

THE WARRANTY TIME PERIOD IS AS FOLLOWS FOR ALL OTHER "HARD GOODS" MANUFACTURED BY OUR COMPANY (USING PRIMARILY METALS, PLASTICS, AND/OR FIBERGLASS): ONE YEAR FROM DATE OF PURCHASE.

ANY IMPLIED WARRANTIES OF MERCHANTABILITY AND/OR FITNESS FOR A PARTICULAR PURPOSE CREATED HEREBY ARE LIMITED IN DURATION TO THE SAME DURATION AND SCOPE AS THE EXPRESS WRITTEN WARRANTY. OUR COMPANY SHALL NOT BE LIABLE FOR ANY INCIDENTAL OR CONSEQUENTIAL DAMAGE.

Some states do not allow limitations on how long an implied warranty lasts, or the exclusion or limitation of incidental or consequential damages, so the above limitations or exclusions may not apply to you. This warranty gives you specific legal rights, and you may also have other rights which vary from state to state.



For further information or request for warranty work, please contact:

Bestop Inc. Customer Service
Toll-Free: (800)845-3567
Main: (303)465-1755
E-mail: csbestop@Bestop.com
Website: www.Bestop.com
