



Installation Instructions Oversize Tire Carrier

US Patent 6796466

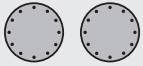

Vehicle Application





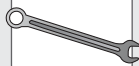
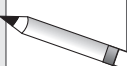

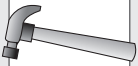



- Jeep TJ Wrangler Unlimited
2004 and newer
Part Number: 61960-01

- Jeep TJ
1997 and newer
Part Number: 61960-01

- Jeep YJ
1986 – 1995
Part Number: 61960-01

www.Bestop.com - We're here to help! Visit our web site and click on ["Ask a Question"](#). Click here for more [Jeep Accessories by Bestop](#).

INSTALLATION TIME	SKILL LEVEL
 <p>2 Hours</p>	 <p>3 - Moderately Difficult</p>

TOOLS				
 <p>Tape Measure</p>	 <p>Phillips Screwdriver</p>	 <p>Adjustable Wrench 8" and 10"</p>	 <p>Power Drill 1/8", 11/32", 3/16", 7/16" Drill Bits</p>	
 <p>Wrench 1/2", 7/16", 9/16", 5/8"</p>	 <p>Pencil</p>	 <p>Center Punch</p>	 <p>Hammer</p>	 <p>Torx Wrench T30, T45, T50</p>
 <p>Lug Wrench</p>	 <p>Safety Glasses</p>			



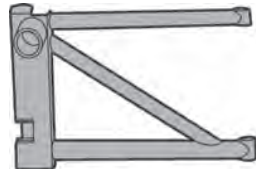
⚠ WARNING This product is designed primarily to enhance the appearance of the vehicle and to shield the occupants from ordinary weather conditions. Do not rely in any way on the components of this product to contain occupants within the vehicle, or to protect against injury or death in the event of an accident. This product will not protect the occupants from falling objects. Never operate the vehicle in excess of manufacturer's specifications.

WEAR SEAT BELTS AT ALL TIMES

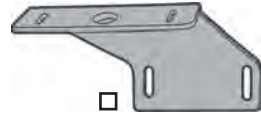
Read and follow, precisely, all installation instructions provided when installing product. Failure to do so may result in a poor fit and could place occupants of the vehicle in a potentially dangerous situation.

Tire Carrier – Installation Instructions

Parts List and Hardware Identification



Arm Assembly, Part Number 364.92, Qty - 1



Brake Light Bracket, Part Number 365.14, Qty - 1



Upper Backing Plate (YJ), Part Number 405.14, Qty - 1



Tire Mount Assembly, Part Number 365.10, Qty - 1



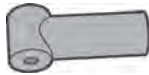
Tailgate Hinge, Part Number 365.03, Qty - 2



Lower Body Hinge, Part Number 365.02, Qty - 1



Upper Backing Plate (TJ), Part Number 405.15, Qty - 1



Upper Link Assembly, Part Number 365.04, Qty - 1



Upper Body Hinge, Part Number 405.13, Qty - 1



Lower Link Assembly, Part Number 365.08, Qty - 1



Adjustment Bracket, Part Number 365.18, Qty - 1



Lower Backing Plate, Part Number 405.16, Qty - 1

Tailgate Hinge Gasket, Part Number 365.20, Qty - 2

Lower Body Hinge Gasket, Part Number 365.22, Qty - 1

Upper Body Hinge Gasket, Part Number 405.17, Qty - 1

Brake Light Gasket, Part Number 365.23, Qty - 1

Hardware

3/8" Poly Washer, Part Number 365.19, Qty - 11

3/4" -10 Hex Nut, Qty - 1

1/4" -20 Hex Nut, Qty - 2

3/4" -10 x 3.5" Hex Bolt, Qty - 1

1/4" -20 x 3/4" Hex Bolt, Qty - 4

1/2" -20 x 7" Hex Bolt, Qty - 1

1/2" Split Ring Lock Washer, Qty - 1

1/4" Flat Washer, Qty - 4

1/4" Split Ring Lock Washer, Qty - 2

5/16" x 1" Hex Bolt, Qty - 8

5/16" Split Ring Lock Washer, Qty - 8

3/8" -16 Hex Nut, Qty - 5

5/16" Hex Nut, Qty - 4

3/8" -16 x 3" Hex Bolt, Qty - 5

1/4" x 1" Pan Head Tapping Screw, Qty - 1

1/2" -13 Hex Nut, Qty - 1

1/2" -13 x 1-1/4" Hex Bolt, Qty - 1

3/8" Flat Washer, Qty - 2

3/8" -16 x 1-1/2" Hex Bolt, Qty - 2

Jack Nut Wrench, Qty - 1

1/4" -20 Jack Nut, Qty - 2

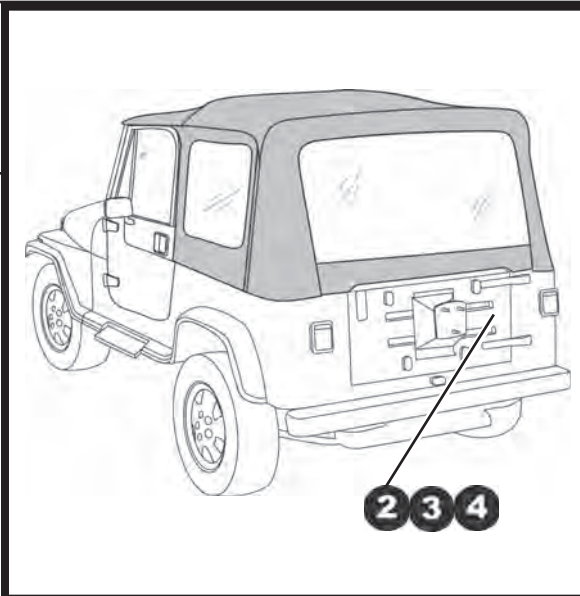
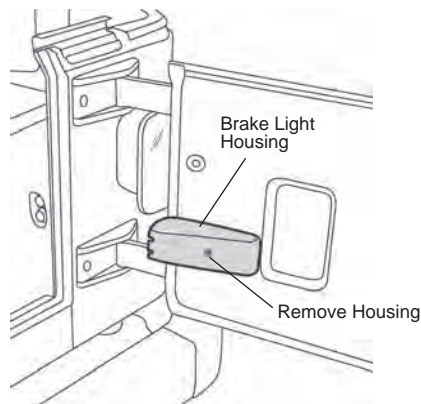
Tire Carrier – Installation Instructions

1 Remove Tire

Use a lug wrench to remove the tire from the tire carrier. Set the lug nuts aside to be used later.

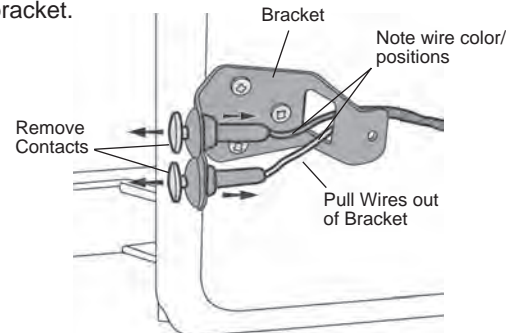
2 Remove Center Brake Light

If your vehicle is equipped with a center brake light, open the tailgate and locate the housing covering the wires for the brake light. Use a phillips screwdriver to remove the housing. Set the screw and housing aside to be reinstalled later.



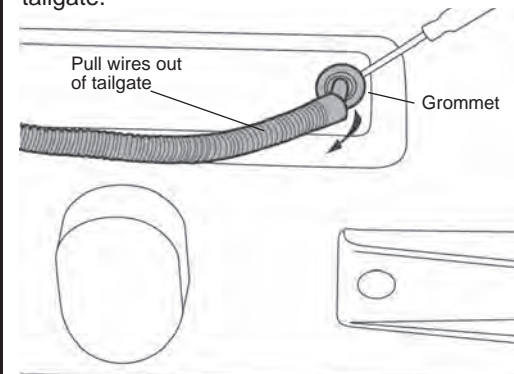
3 Remove Center Brake Light

Make note of the positions of the wires in the bracket so that you can replace the wires in the proper order. Pull the contacts off the ends of the wires and set them aside to be reused later. Pull the wires out of the bracket.



4 Remove Center Brake Light

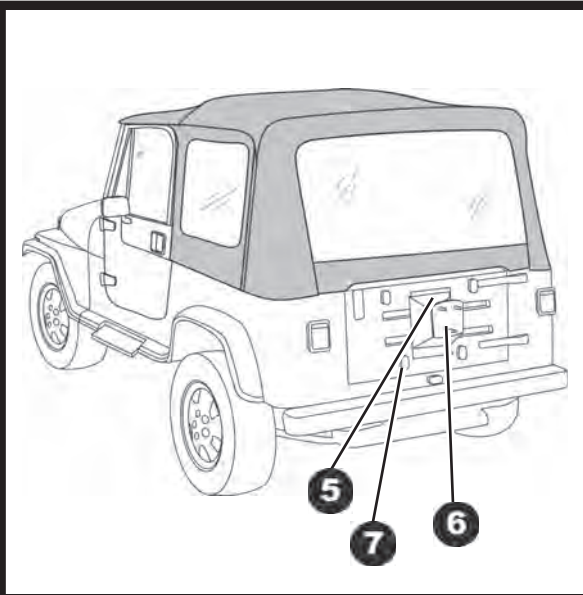
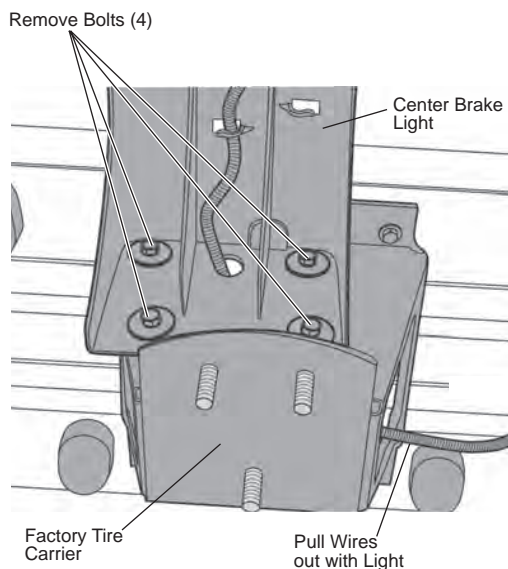
From the outside of the tailgate, use a flat screwdriver to pry out the grommet that guides the wires from the brake light. Pull the wires out of the tailgate.



Tire Carrier – Installation Instructions

5 Remove Center Brake Light

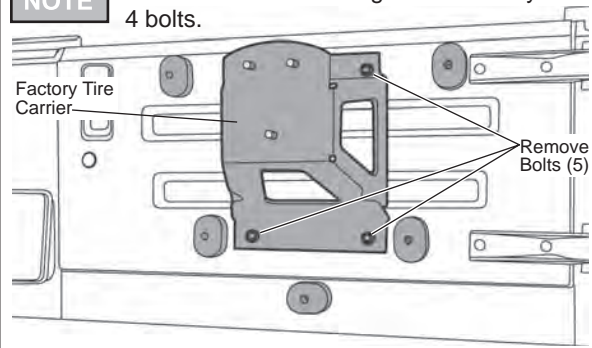
Remove the four bolts that secure the brake light to the tailgate. Lift the light away, pulling the wires through the hole in the factory tire carrier. Set the Center Brake Light aside to be reinstalled later.



6 Remove Factory Tire Carrier

Remove the 5 bolts that secure the factory tire carrier to the tailgate. Set the bolts aside to be reused later. Remove the tire carrier.

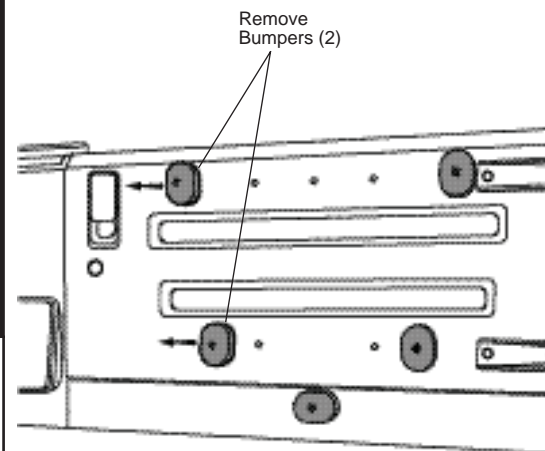
NOTE 2003 and newer Wranglers have only 4 bolts.



7 Remove Bumpers

Use a T30 Torx to remove the two bumpers on the driver's side of the tailgate.

NOTE 2003 and newer Wranglers do not have the lower bumpers.



Tire Carrier – Installation Instructions

8 Install Tailgate Hinges

Locate the Tailgate Hinges and the Tailgate Hinge Gaskets in the parts kit. Place the gaskets between the hinges and the tailgate and align the holes in the hinges with the holes in the tailgate. The upper hinge will use only the two outside holes and the lower hinge will use the two holes toward the center of the vehicle.

Secure the hinges to the tailgate with a 5/16" x 1" Hex Bolt in the hole closest to the center of the vehicle. Install a 1/4"-20 x 3/4" Hex Bolt in the outside hole (top hinge) or the center hole (bottom hinge). If the 1/4"-20 x 3/4" Hex Bolt does not thread into the tailgate, use the T30 Torx screws that were removed with the bumpers in Step Seven.

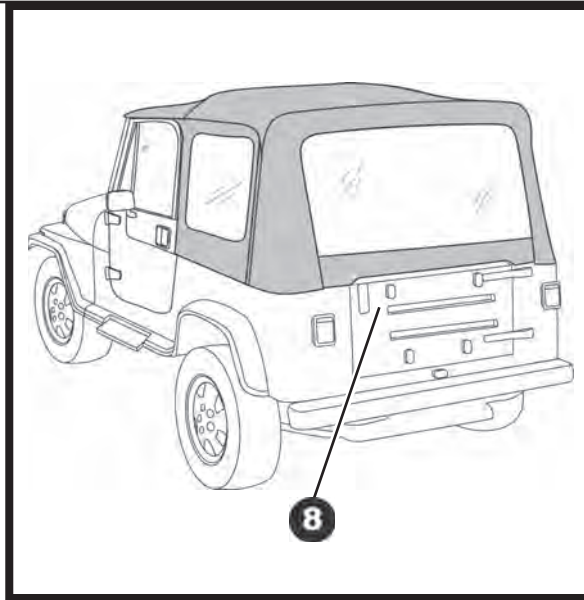
Tighten the bolts (and/or screws) completely.

NOTE

2003 and newer Wranglers do not have a hole in the Tailgate for the center hole

location in the lower Tailgate Hinge. Use the Tailgate Hinge as a template to mark the location of the missing hole on the tailgate. Make sure that you hold the hinge in a horizontal position when marking the hole location. Center punch and drill a 7/16" hole at this location.

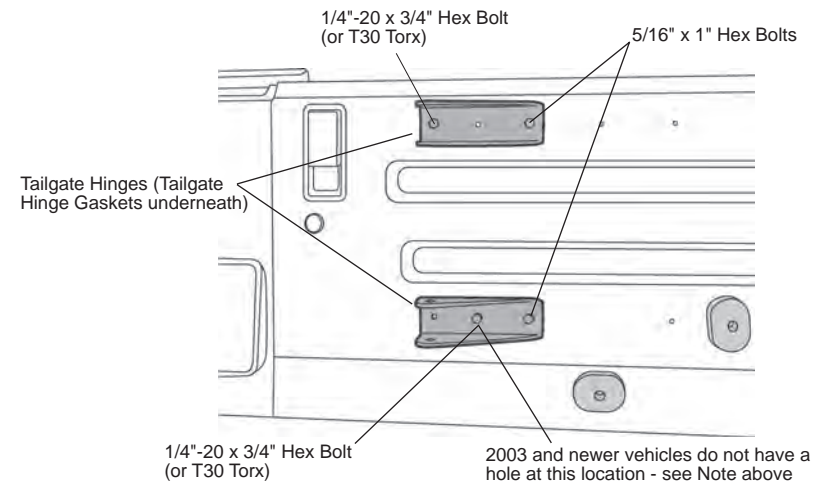
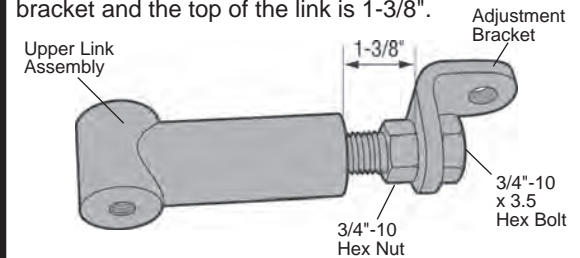
Insert a 1/4"-20 Jack Nut into the hole. Hold the Jack Nut Wrench over the Jack Nut with the bumps on the wrench against the nut. Insert a 1/4"-20 x 3/4" Hex Bolt through the wrench into the nut. Tighten the bolt until the nut is pulled tight. Remove the bolt and wrench. Use the 1/4"-20 x 3/4" Bolt to set the nut and install the lower Tailgate Hinge.



9 Assemble the Adjustable Link Assembly

Locate the Upper Link Assembly and the Adjustment Bracket in the parts kit. Place the 3/4"-10 x 3.5" Hex Bolt through the large hole in the Adjustment Bracket and thread the 3/4"-10 Hex Nut onto the bolt until it is snug against the bracket and the head of the bolt.

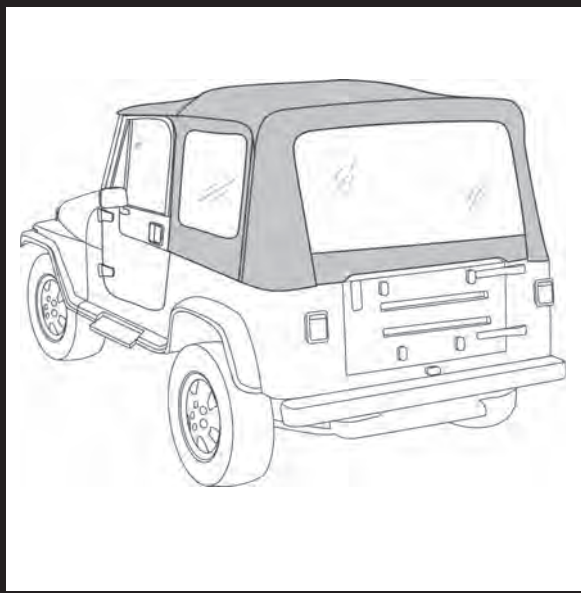
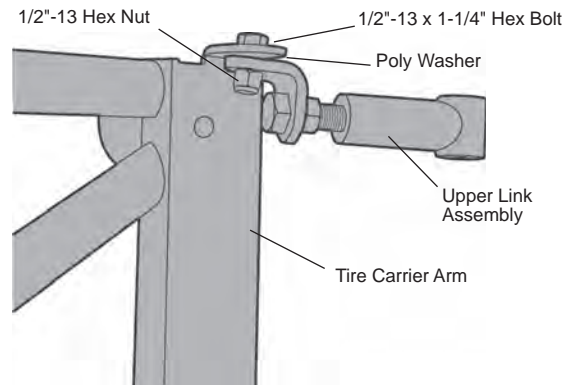
Screw the bracket assembly into the Adjustable Link until the measurement between the bottom of the bracket and the top of the link is 1-3/8".



Tire Carrier – Installation Instructions

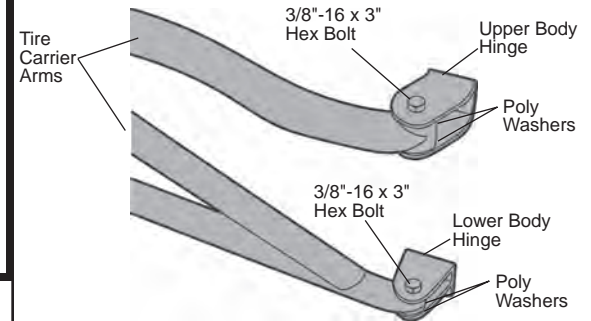
10 Attach the Upper Link Assembly to Arm

Attach the Upper Link Assembly to the tire carrier arm by installing a 1/2"-13 x 1-1/4" Hex Bolt from the top, a Poly Washer between the tab and the adjustment bracket and a 1/2"-13 Hex Nut from the bottom. Tighten the bolt until the assembly is tight but still moves freely.



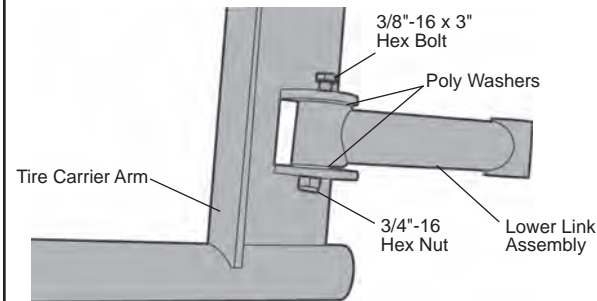
12 Attach Body Hinges to Tire Carrier Arm

Locate the Upper and Lower Body Hinges in the parts kit. Orient them with the angled side toward the passenger side of the vehicle. Install them on the Tire Carrier Arm using two Poly Washers, a 3/8"-16 x 3" Bolt and a 3/8"-16 Hex Nut for each hinge. Do not fully tighten the hinges at this time.



11 Attach the Lower Link to Tire Carrier Arm

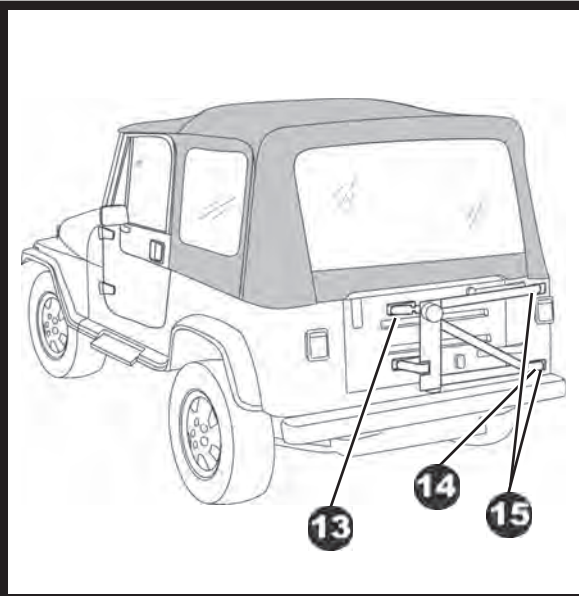
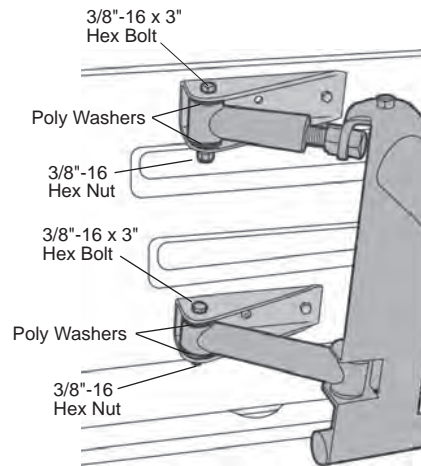
Locate the Lower Link Assembly in the parts kit. Place a Poly Washer on each side of the link in the bracket on the tire carrier and install a 3/8"-16 x 3" Hex Bolt. Thread the 3/8"-16 Hex Nut loosely onto the bolt.



Tire Carrier – Installation Instructions

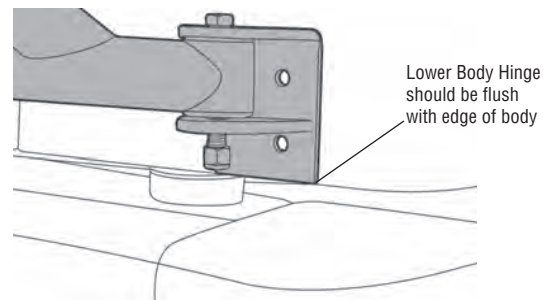
13 Attach Tire Carrier Arm Assembly to Tailgate Hinges

Place the Upper and Lower Link assemblies on the Arm Assembly in the brackets on the Tailgate Hinges. Use two Poly Washers, a 3/8"-16 x 3" Hex Bolt and a 3/8"-16 Hex Nut for each link. Do not fully tighten the bolts at this time.



14 Align Bottom Hinge to Body

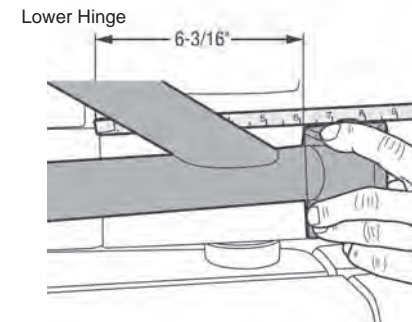
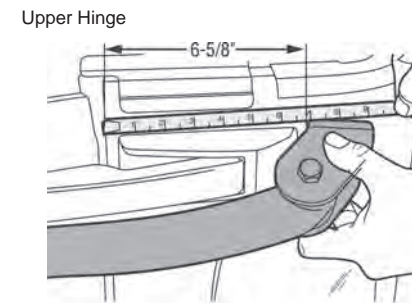
Close the tailgate and check that the bottom edge of the Lower Body Hinge is flush with the bottom edge of the body. Tighten or loosen the adjustment nut in the Upper Link Assembly until the hinge is flush with the vehicle body.



15 Locate Hinge Mounting Holes

Open the tailgate until the Upper Hinge is 6 5/8" and the Lower Hinge is 6 3/16" from the edge of the door opening.

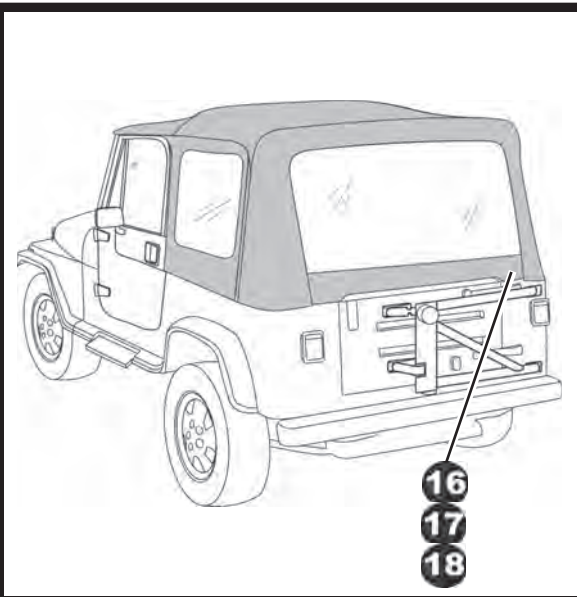
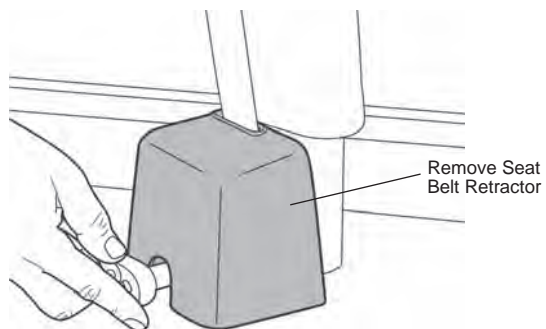
Mark the locations of the holes in both hinges. Center punch the marks and drill a 1/8" pilot hole. Drill an 11/32" hole at each location.



Tire Carrier – Installation Instructions

16 Remove passenger side Seat Belt Retractor

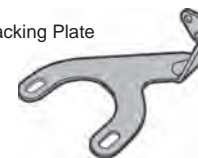
Use a T50 Torx to remove the bolt that secures the passenger side Seat Belt Retractor. Lift the assembly up and away from the Sport Bar.



18 Install Upper Backing Plate

Select the Upper Backing Plate that applies to your vehicle. Hook the bent edge of the plate under the ledge in the corner of the vehicle and work the plate into position around the sport bar. Install two 3/8"-16 x 1-1/2" Hex Bolts and two 3/8" Flat Washers. Do not tighten the bolts at this time.

TJ Upper Backing Plate

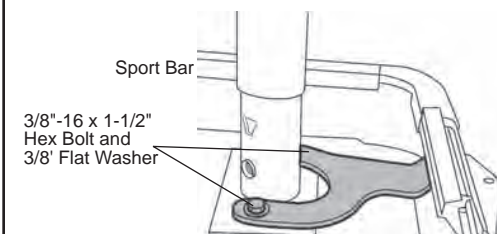
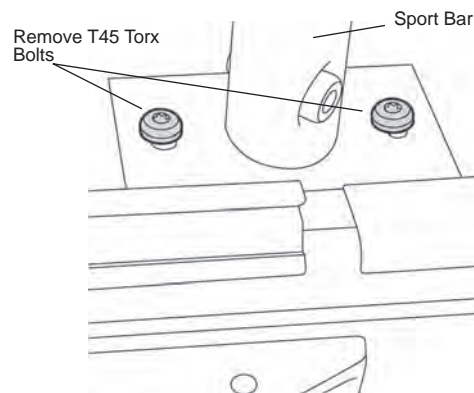


YJ Upper Backing Plate



17 Remove passenger side Sport Bar Bolts

Pull the carpet up in the rear corner of the vehicle to access the Sport Bar Mounting Bracket on the passenger side. Use a T45 Torx to remove the two bolts in the bracket.



YJ Upper Backing Plate Shown

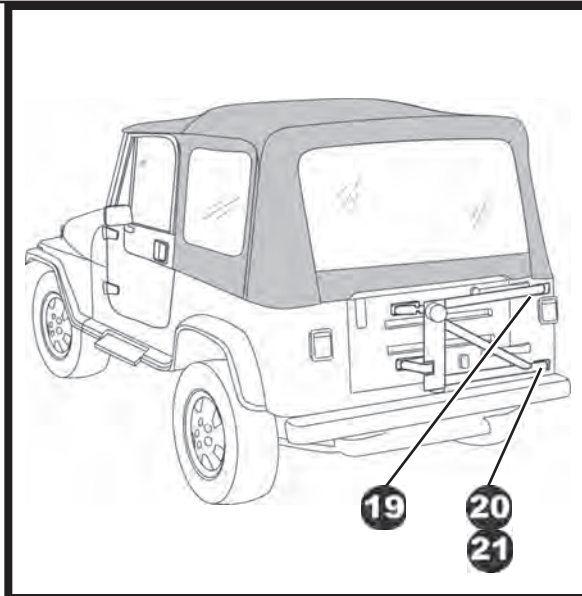
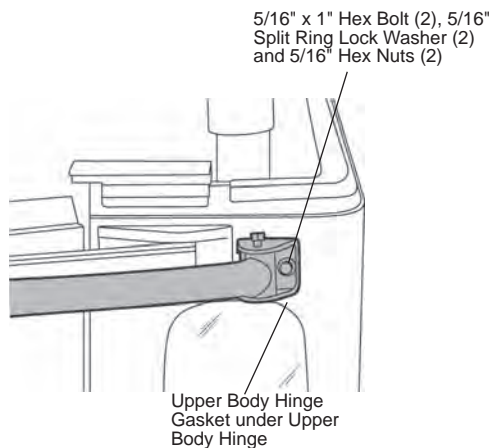
Tire Carrier – Installation Instructions

19 Secure Upper Body Hinge

Place the Upper Body Hinge Gasket between the Upper Body Hinge and the body. Align the holes in the gasket and the hinge with the holes drilled in the body and with the holes in the Upper Backing Plate. Install two 5/16" x 1" Hex Bolts and two 5/16" Split Ring Lock Washers at the head of the bolts with 5/16" Hex Nuts.

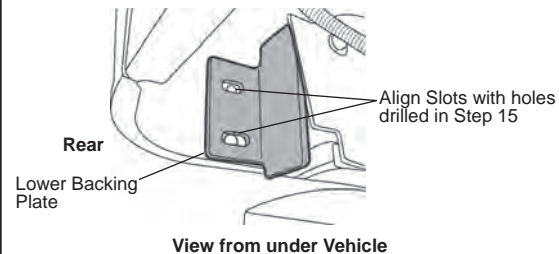
Fully tighten the bolts and nuts in the hinge. Fully tighten the bolts in the Upper Backing Plate and the Sport Bar Bracket.

Replace the carpet in corner over the Upper Backing Plate and reinstall the passenger side Seat Belt Retractor.



20 Orient Lower Backing Plate

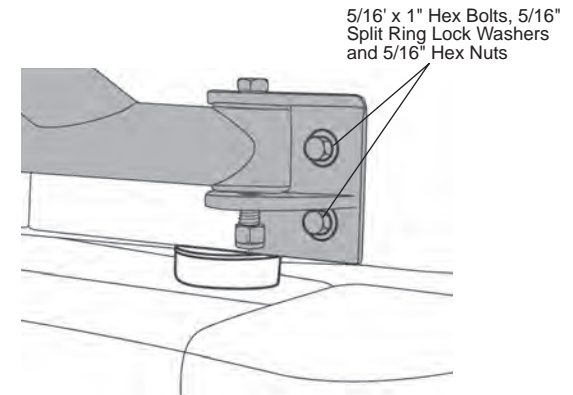
From under the vehicle, orient the Lower Backing Plate so that the flange without any holes is inboard and the flange with the holes is toward the rear. Position the plate under the vehicle so that the slots line up with the holes drilled in Step 15 and the inboard flange is tight against the body beam.



21 Secure Lower Body Hinge

Place the Lower Body Hinge Gasket between the Lower Body Hinge and the body. Align the holes in the gasket and the hinge with the holes drilled in the body and with the slots in the Lower Backing Plate. Install two 5/16" x 1" Hex Bolts and two 5/16" Split Ring Lock Washers at the head of the bolts and two 5/16" Hex Nuts under the vehicle against the Lower Backing Plate.

Hold the Lower Backing Plate tight against the body beam and tighten the bolts.



Tire Carrier – Installation Instructions

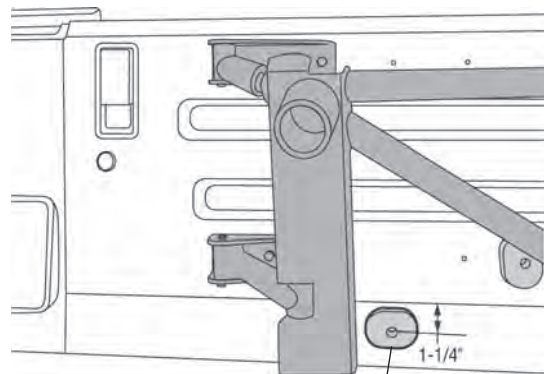
22 Tighten Pivot Bolts

Tighten all five pivot bolts until the joints are secure and there are no rattles, but make sure that the joints still pivot freely.

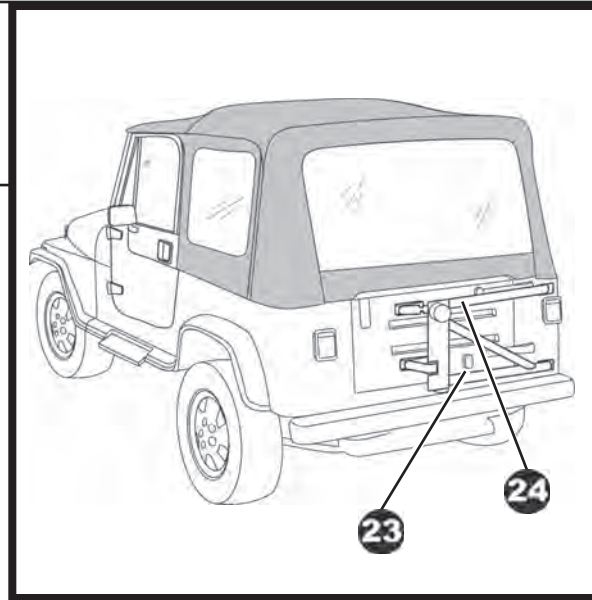
23 Install Center Bumper

If your vehicle has a center bumper below the tailgate opening, skip this step and continue with Step Twenty-four.

If your vehicle does not have a center bumper, mark a location in the center of the tailgate opening and 1-1/4" below the sill. Center punch the mark and drill a 3/16" hole. Install one of the bumpers removed in Step Seven using a 1/4" x 1" Pan Head Tapping Screw.



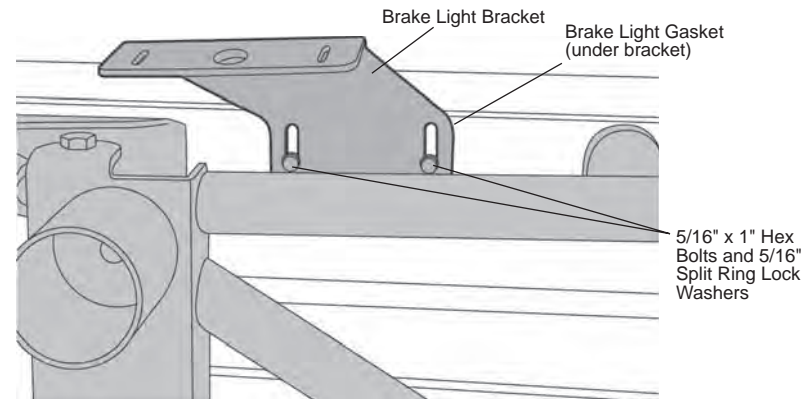
Install Bumper with 1/4" x 1" Pan Head Tapping Screw



24 Install Brake Light Bracket

If your vehicle is equipped with a center brake light, place the Brake Light Gasket between the Brake Light Bracket and the body. Align the holes in the gasket and bracket with the holes in the body and install two 5/16" x 1" Hex Bolts and two 5/16" Split Ring Lock Washers at the head of the bolts. Loosely install the bolts with the bracket raised to the top of the slots.

NOTE 2003 and newer Wranglers do not have a hole at the left slot location. Use the bracket as a template to mark the location. Drill a 7/16" hole and install a 1/4"-20 Jack Nut as in Step 8. Install the bracket at this location using a 1/4"-20 x 3/4" Bolt and Flat Washer.



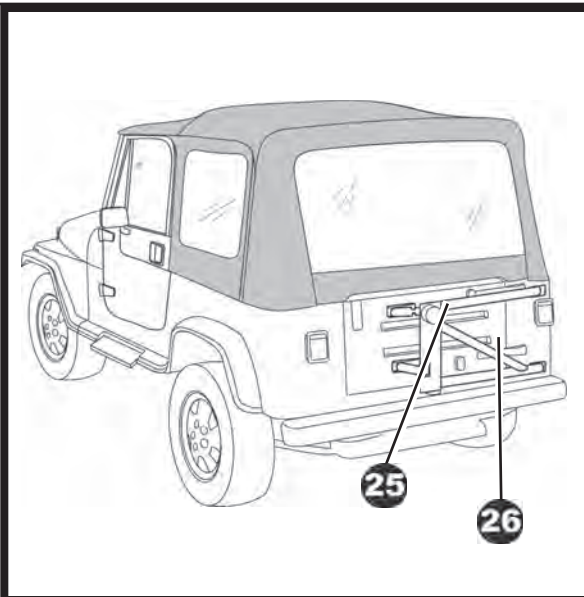
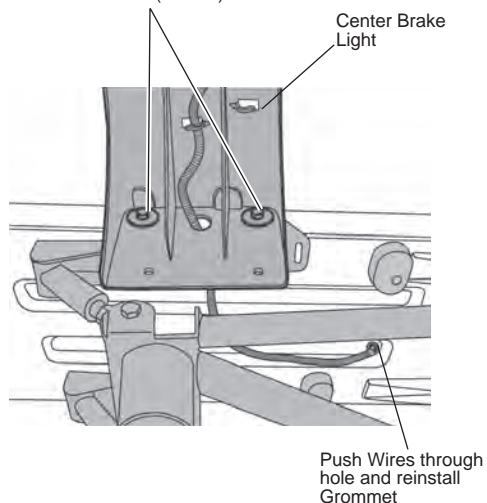
Tire Carrier – Installation Instructions

25 Attach Brake Light to Brake Light Bracket

With the Brake Light above the Brake Light Bracket, place the wires through the hole in the bracket. Set the light on the bracket with the two rear holes in the light over the holes in the bracket. Install two 1/4"-20 x 3/4" Hex Bolts with 1/4" Flat Washers from the top and 1/4" Flat Washers and 1/4"-20 Hex Nuts from the bottom. Slide the light as far forward as possible.

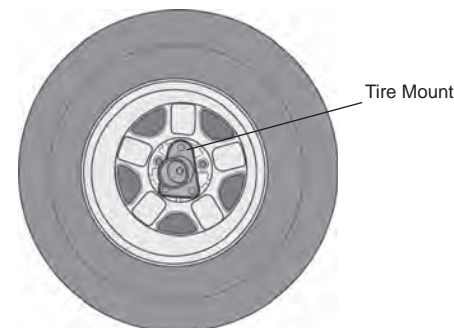
Push the wires through the hole in the tailgate and use a flat screwdriver to push the grommet back into the hole.

1/4"-20 x 3/4" Hex Bolts, 1/4" Flat Washers (top) and 1/4" Flat Washers and 1/4"-20 Hex Nuts (bottom)



27 Tire to Tire Mount

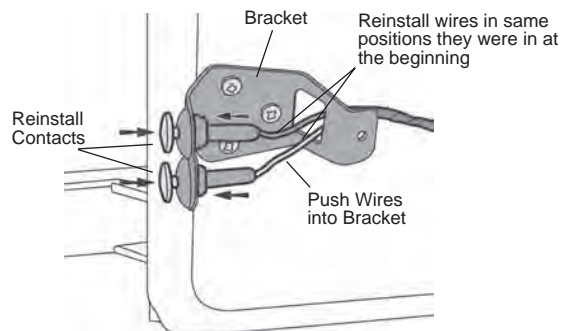
Attach the tire to the Tire Mount using the lug nuts removed earlier. Use a lug wrench to tighten the nuts.



26 Install Brake Light

Replace the wires through the bracket on the inside of the tailgate. Make sure that they are in the same positions as they were when they were removed in Step Three. Push the wires into the rubber holes and replace the connectors.

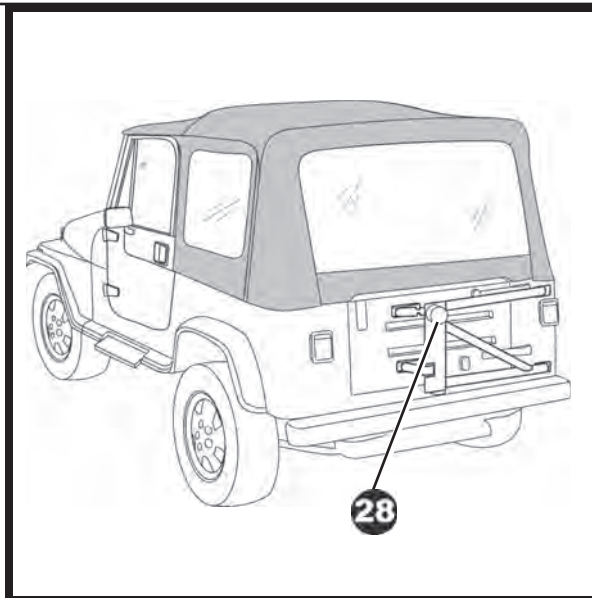
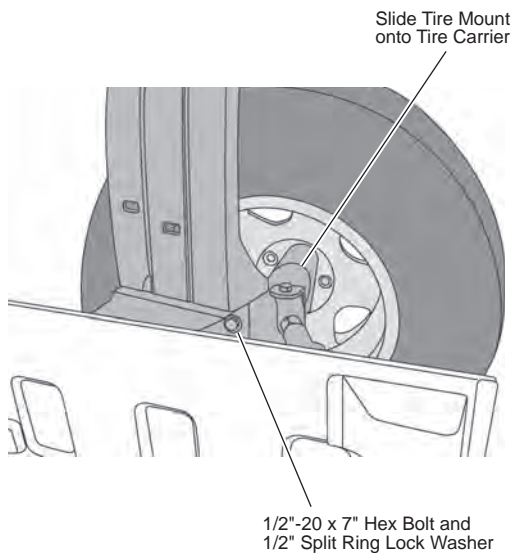
Reinstall the cover.



Tire Carrier – Installation Instructions

28 Tire Mount onto Tire Carrier

With the tailgate open, slide the Tire Mount onto the receiver tube on the Tire Carrier. Thread the 1/2"-20 x 7" Hex Bolt and 1/2" Split Ring Lock Washer from the back into the hole in the Tire Mount. Tighten the bolt until the tire is tight against the arm.



29 Adjust Tire Carrier

Close the tailgate.

Check that the arm of the Tire Carrier is tight against the top bumper and that the top of the tailgate on the driver's side is flush with the top of the body. If this is not properly aligned, loosen or tighten the Adjustable Upper Link until the tailgate lines up properly with the body and the arm is tight against the bumper. Tighten the jamb nut against the adjustment bracket.

30 Adjust Brake Light

Adjust the Brake Light to the desired position and tighten the bolts.

Tire Carrier – Installation Instructions

LIMITED WARRANTY

We warrant our product to be free from defects in material and workmanship, for the terms specified below, provided there has been normal use and proper maintenance. This warranty applies to the original purchaser only. All remedies under this warranty are limited to the repair or replacement of any item or items found by the factory to be defective within the time period specified. If you have a warranty claim, first you must call our factory at the number below for instructions. You must retain proof of purchase and submit a copy with any items returned for warranty work. Upon completion of warranty work, if any, we will return the repaired or replaced item or items to you freight prepaid. Damage to our products caused by accidents, fire, vandalism, negligence, misinstallation, misuse, Acts of God, or by defective parts not manufactured by us, is not covered under this warranty.

THE WARRANTY TIME PERIOD IS AS FOLLOWS FOR REPLACE-A-TOP™, SAILCLOTH REPLACE-A-TOP™, SUPERTOP®, SUPERTOP® REPLACEMENT SKINS, SUNRIDER®, AND TIGERTOP®: TWO YEARS FROM DATE OF PURCHASE.

THE WARRANTY TIME PERIOD IS AS FOLLOWS FOR ALL OTHER “SOFT GOODS” MANUFACTURED BY OUR COMPANY (USING PRIMARILY VINYL, PLASTICS, AND/OR FOAM): ONE YEAR FROM DATE OF PURCHASE.

THE WARRANTY TIME PERIOD IS AS FOLLOWS FOR ALL OTHER “HARD GOODS” MANUFACTURED BY OUR COMPANY (USING PRIMARILY METALS, PLASTICS, AND/OR FIBERGLASS): ONE YEAR FROM DATE OF PURCHASE.

ANY IMPLIED WARRANTIES OF MERCHANTABILITY AND/OR FITNESS FOR A PARTICULAR PURPOSE CREATED HEREBY ARE LIMITED IN DURATION TO THE SAME DURATION AND SCOPE AS THE EXPRESS WRITTEN WARRANTY. OUR COMPANY SHALL NOT BE LIABLE FOR ANY INCIDENTAL OR CONSEQUENTIAL DAMAGE.

Some states do not allow limitations on how long an implied warranty lasts, or the exclusion or limitation of incidental or consequential damages, so the above limitations or exclusions may not apply to you. This warranty gives you specific legal rights, and you may also have other rights which vary from state to state.



For further information or request for warranty work, please contact:

Bestop Inc., Customer Service

Toll-Free: (800)845-3567

Main: (303)465-1755

E-mail: csbestop@Bestop.com

Website: www.Bestop.com