

# INSTALLATION GUIDE

# AMP RESEARCH BedStep™

Nationally Distributed by Bestop

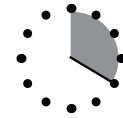
APPLICATION  
Ford F-150

MODEL YR  
2005 -2008

PART #  
10-03456-10



## INSTALLATION TIME



0:20 min

## SKILL LEVEL



1= Easy

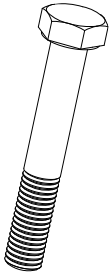
## TOOLS REQUIRED

Safety goggles  
17mm socket  
21mm socket  
Ratchet wrench, extension  
3/16" allen wrench

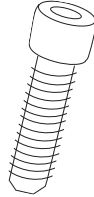
TECH SUPPORT 1-888-983-2204 Monday - Friday, 8:00 AM - 4:00 PM PST

Designed and manufactured by AMP Research. Patent 6,830,257 / 6,641,158 / 6,834,875 / 6,938,909 / 6,942,233 / 7,007,961 / 7,055,839 / 7,163,221  
Other US and worldwide patents pending. Three-year limited warranty. Professional installation is recommended. Nationally Distributed by Bestop.

PARTS LIST AND  
HARDWARE  
IDENTIFICATION



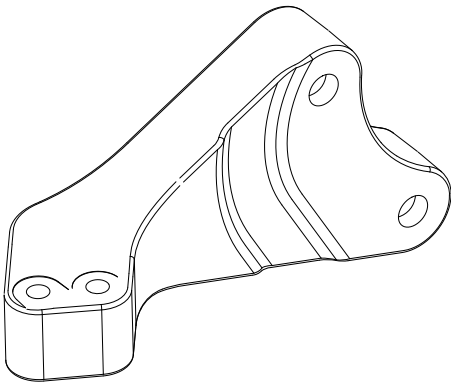
① x2  
19-03429-90  
Hex Bolt



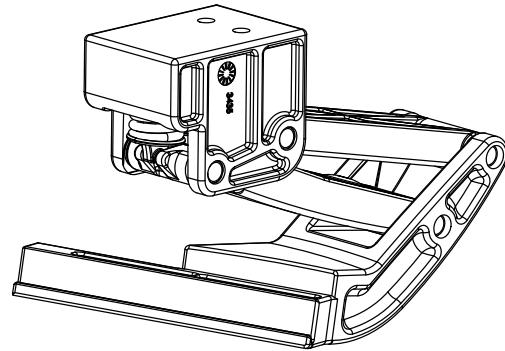
② x2  
19-02802-90  
Socket Cap Screw



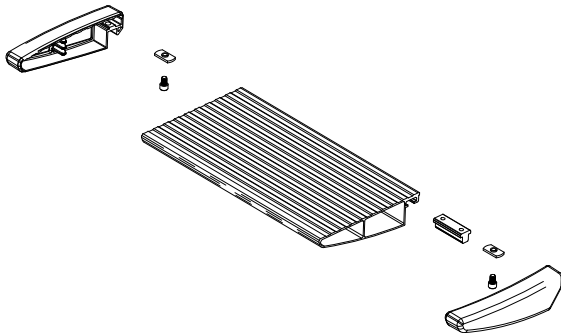
③ x2  
19-02486-90  
Washer (stainless)



④  
15-03412-90  
Mounting Bracket



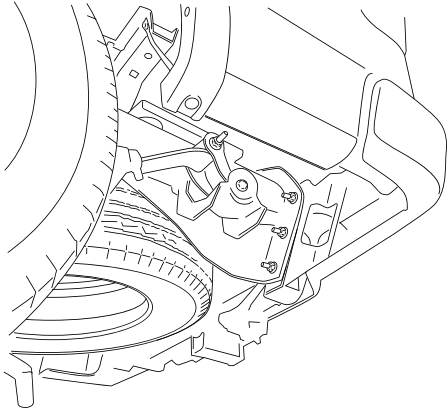
⑤  
10-03435-10  
Linkage Assembly



⑥  
20-03314-12  
Step Pad Assembly

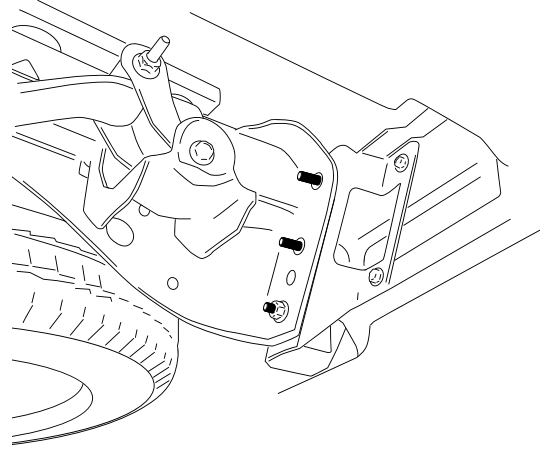
- (A) 19-03225-11 End cap left (x1)
- (B) 19-03225-12 End cap right (x1)
- (C) 19-02663-90 T-nut insert (x2)
- (D) 19-03236-90 Socket cap screw (x2)
- (E) 19-03237-90 Nut plate (x2)

Locate rear bumper attachment point on driver side.



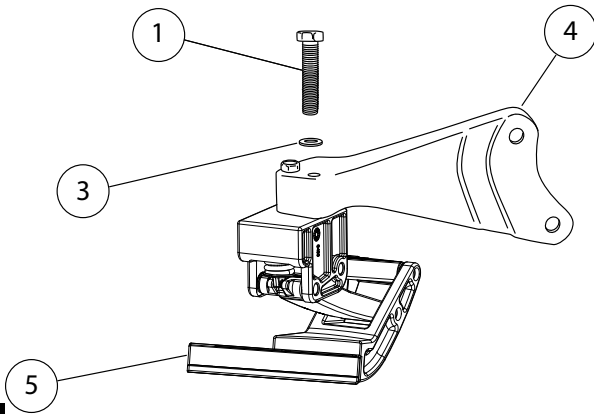
1

Remove upper two bumper fasteners.



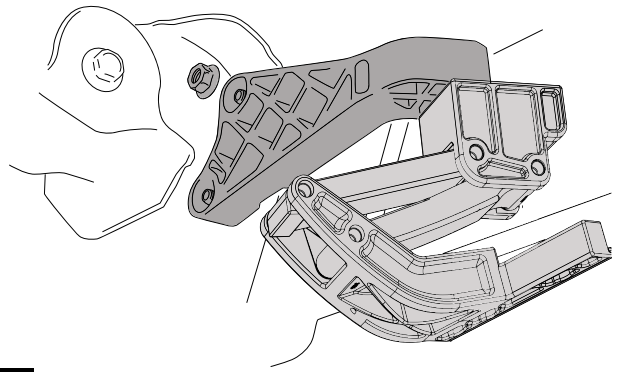
2

Install upper mount onto linkage as shown and torque to 33 ft-lbs / 44 Nm.



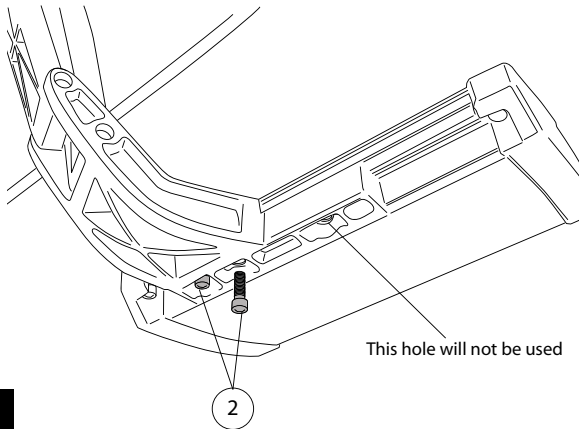
3

Slide upper mount over factory studs, install fasteners and torque to 59 ft-lbs / 80 Nm.



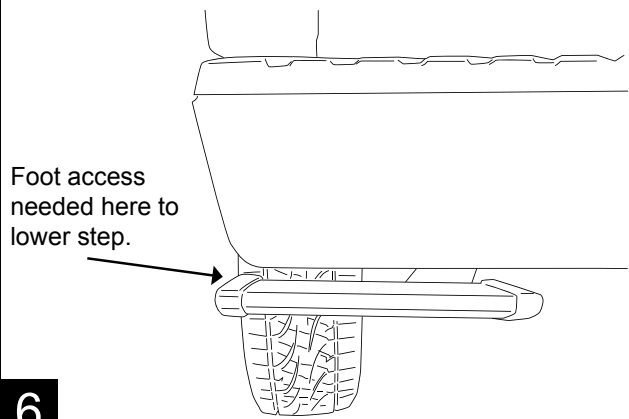
4

Install step pad assembly onto linkage assembly with two socket cap screws.



5

Adjust step pad position side to side. Allow for foot access. Torque allen head bolts to 10 ft-lbs / 13.5 Nm.



6

## LIMITED WARRANTY

AMP RESEARCH warrants product to be free from defects in material and workmanship, for terms specified below, provided there has been normal use and proper maintenance. This warranty applies to the original purchaser only. All remedies under this warranty are limited to the repair or replacement of any item found by the factory to be defective within the time period specified.

If you have a warranty claim, first you must call our factory at the number below for instructions. You must retain proof of purchase and submit a copy with any items returned for warranty work. Upon completion of warranty work, if any, we will return the repaired or replaced item or items to you freight prepaid. Damage to our products caused by accidents, fire, vandalism, negligence, misinstallation, misuse, Acts of God, or by defective parts not manufactured by us, is not covered under this warranty.

THE WARRANTY TIME PERIOD IS AS FOLLOWS: THREE YEARS FROM DATE OF PURCHASE.

ANY IMPLIED WARRANTIES OF MERCHANTABILITY AND/OR FITNESS FOR A PARTICULAR PURPOSE CREATED HEREBY ARE LIMITED IN DURATION TO THE SAME DURATION AND SCOPE AS THE EXPRESS WRITTEN WARRANTY. OUR COMPANY SHALL NOT BE LIABLE FOR ANY INCIDENTAL OR CONSEQUENTIAL DAMAGE.

Some states do not allow limitations on how long an implied warranty lasts, or the exclusion or limitation of incidental or consequential damages, so the above limitations or exclusions may not apply to you.

This warranty gives you specific legal rights, and you may also have other rights that vary from state to state.

**FOR WARRANTY ISSUES WITH THIS PRODUCT PLEASE CALL AMP RESEARCH CUSTOMER SERVICE BY CALLING TOLL - FREE 1-800-315-9697**

## WARNING

The manufacturer strongly recommends that this product be professionally installed.

Failure to carefully follow the electrical installation steps could result in severe electrical shock that could harm the installer and/or damage the vehicle.

This product is designed to enhance the appearance of the vehicle. Do not rely in any way on the components of this product to contain occupants within the vehicle, or to protect against injury of death in the event of an accident. Never operate vehicle in excess of manufacturer's specifications.

**WEAR SEAT BELTS AT ALL TIMES**

Read and follow, precisely, all installation instructions provided when installing this product. Failure to do so could place occupants of the vehicle in a potentially dangerous situation. After installing or reinstalling, check to make sure it has been properly installed.