



Sport Bar Cover Installation Instructions

Model: Wrangler 1992-1995

Part Number: 80009

Note: Please read these instructions thoroughly before beginning the installation. After completing the installation, keep this manual for future reference.

Parts List

- 1 - Cover Assembly
- 2 - Fabric Covered Foam Tubes
- 7 - Foam Pieces

Warning:

This product is designed to enhance the appearance of the vehicle and to shield the occupants from ordinary weather conditions. Do not rely in any way on the components of this product to contain occupants within the vehicle, or to protect against injury or death in the event of an accident. This product will not protect the occupants from falling objects. Never operate vehicle in excess of manufacturer's specifications.

Wear seat belts at all times.

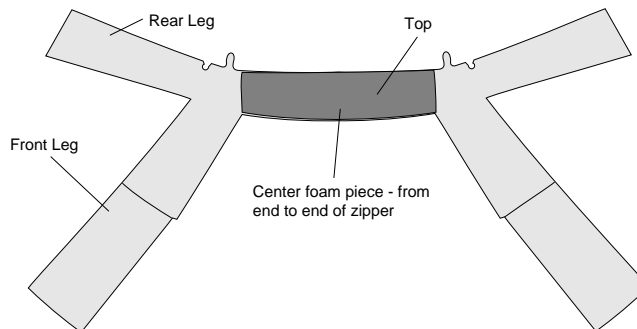
Read and follow, precisely, all installation instructions provided when installing this product. Failure to do so may result in a poor fit and could place occupants of the vehicle in a potentially dangerous situation.

Foam Installation

Step One

On a flat, clean surface, spread out the fabric assembly. The long, center portion will go along the top of the sport bar, the two shorter legs will go over the front legs of the sport bar and the two longer legs will go over the rear legs of the sport bar (see Figure 1). Lay the 36" center foam piece on backing side of sport bar cover. The foam piece runs from one end of the zipper to the other. Remove the protective strip from the back of the foam and press the adhesive strip on the foam to the fabric.

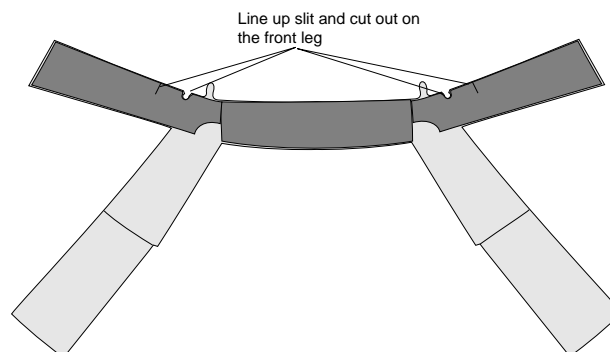
Figure 1



Step Two

Determine the right and left front leg foam. Line up the slit and the cutout in the foam with the slit and cutout in the fabric. Remove the protective strip from the back of the foam and press the adhesive strip on the foam to the fabric.

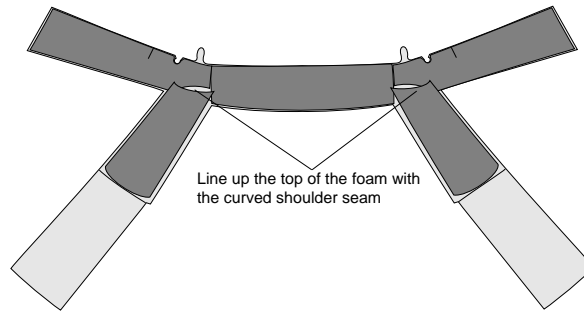
Figure 2



Step Three

Orient the top rear leg piece so that the curved edge is toward the top and the rounded end is down. Work the curve in the top of the piece into the curve of the shoulder seam. Remove the protective strip from the back of the foam and press the adhesive strip on the foam to the fabric.

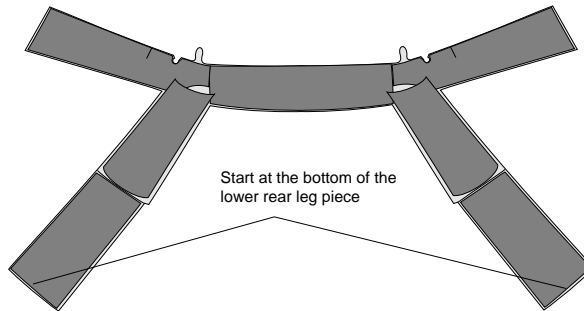
Figure 3



Step Four

Lay the rectangular lower rear leg piece on the cover, starting at the bottom and working up until it meets the top rear leg piece. Remove the protective strip from the back of the foam and press the adhesive strip on the foam to the fabric.

Figure 4



Sport Bar Cover Installation

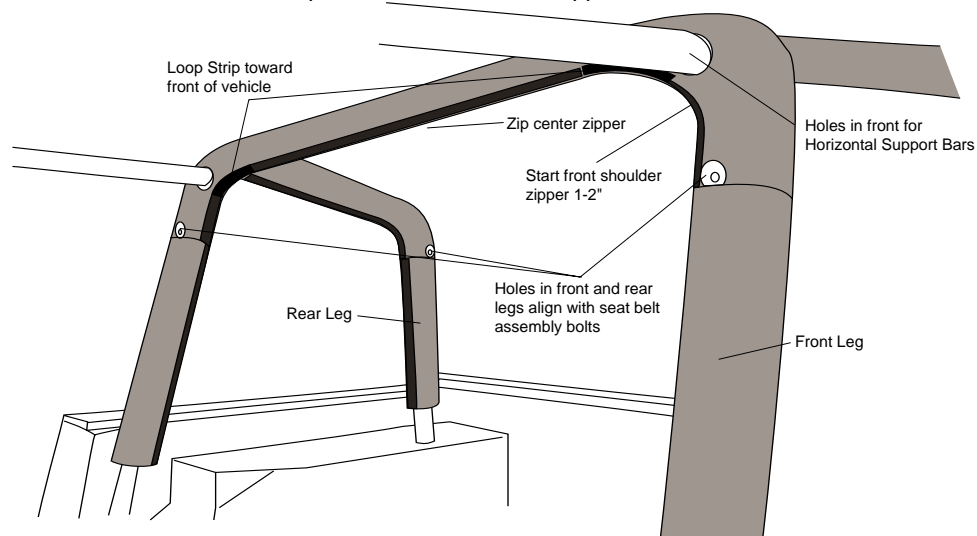
Step One

If a top is on the vehicle, it must be removed before starting this installation. It will be easier to install the Sport Bar Cover if the hardware and bows are down. Slide the rear bow forward. Unlock the hardware attachment at the windshield and pull the horizontal bar off the pins. Bend the spreader rods and slide the bows forward. Fold the whole assembly back onto the rear of the vehicle.

Step Two

Place the sport bar fabric and foam assembly over the sport bars and align the holes in the fabric assembly with the Horizontal Support Bars. The zippers should be located on the underside of the sport bars. Start the 11" zippers on the front shoulder 1-2 inches to hold the cover

Figure 5



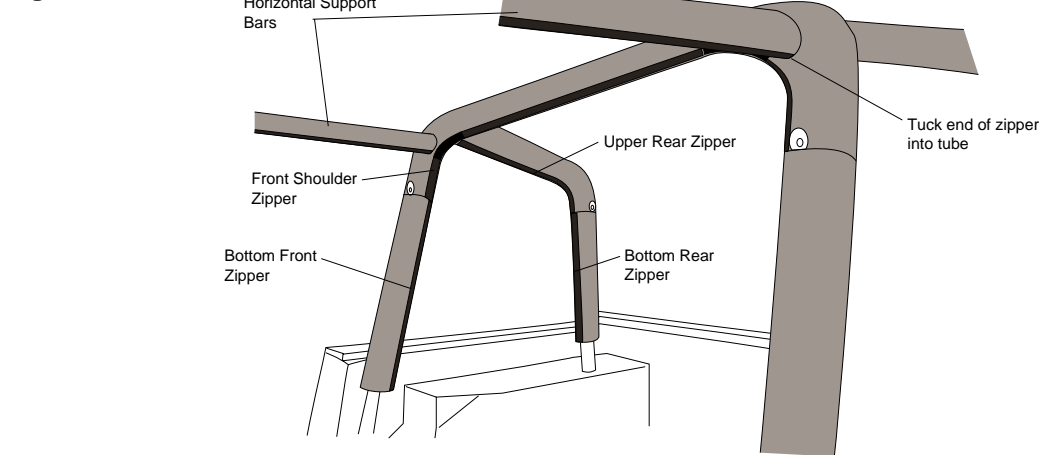
in place. The holes in each of the rear legs should line up with the seat belt assembly bolts (see Figure 5).

Step Three

Zip the zipper across the center of the sport bar (see Figure 5).

Step Four

Close the zipper on the shoulder of the front leg. Then zip the bottom of the front leg closed. Close the zipper on the upper rear leg (see Figure 6)



6). Repeat on the other side.

Step Five

Close the bottom zipper on the rear legs (see Figure 6).

Step Six

Place a fabric covered foam tube onto each of the horizontal bars. Orient the tubes so that the zipper closes from front to back. Once the tube is in place and zipped closed, tuck the extension of the zipper into the end of the foam tube.

LIMITED WARRANTY

We warrant our product to be free from defects in material and workmanship, for the terms specified below, provided there has been normal use and proper maintenance. This warranty applies to the original purchaser only. All remedies under this warranty are limited to the repair or replacement of any item or items found by the factory to be defective within the time period specified.

If you have a warranty claim, first you must call our factory at the number below for instructions. You must retain proof of purchase and submit a copy with any items returned for warranty work. Upon completion of warranty work, if any, we will return the repaired or replaced item or items to you freight prepaid. Damage to our products caused by accidents, fire, vandalism, negligence, misinstallation, misuse, Acts of God, or by defective parts not manufactured by us, is not covered under this warranty.

THE WARRANTY TIME PERIOD IS AS FOLLOWS: ALL "SOFT GOODS" MANUFACTURED BY OUR COMPANY (USING PRIMARILY VINYL, PLASTICS, AND/OR FOAM): ONE YEAR FROM DATE OF PURCHASE.

ANY IMPLIED WARRANTIES OF MERCHANTABILITY AND/OR FITNESS FOR A PARTICULAR PURPOSE CREATED HEREBY ARE LIMITED IN DURATION TO THE SAME DURATION AND SCOPE AS THE EXPRESS WRITTEN WARRANTY. OUR COMPANY SHALL NOT BE LIABLE FOR ANY INCIDENTAL OR CONSEQUENTIAL DAMAGE.

Some states do not allow limitations on how long an implied warranty lasts, or the exclusion or limitation of incidental or consequential damages, so the above limitations or exclusions may not apply to you.

This warranty gives you specific legal rights, and you may also have other rights which vary from state to state.

For further information or request for warranty work, please contact:

Bestop Inc.
Customer Service
(800)346-3910
(303)465-1755