



Center Sport Bar Covers

Installation Instructions

For: Jeep Wrangler '97-'02

Part Number: 80020



WARNING

This product is designed primarily to enhance the appearance of the vehicle. Do not rely in any way on the components of this product to contain occupants within the vehicle, or to protect against injury or death in the event of an accident. This product will not protect the occupants from falling objects. Never operate vehicle in excess of manufacturer's specifications.

WEAR SEAT BELTS AT ALL TIMES

Read and follow, precisely, all installation instructions provided when installing this product. Failure to do so may result in a poor fitting top and could place occupants of the vehicle in a potentially dangerous situation.

Installation Tips

Before you begin installing these sport bar covers, read all instructions thoroughly. Below are a few tips to make this installation easier.

For a smooth fit:

For ease in installation, the sport bar covers should be installed at temperatures above 72° F. Below this temperature, the fabric may contract an inch or more, making it difficult to fit to the vehicle.

It is normal for the fabric to contract and wrinkle when stored in the shipping carton. Within a few days after the installation, the fabric will relax and the wrinkles will disappear.

Parts Kit

Center Sport Bar Cover Fabric	Qty - 1	Center Bar Foam, Rt.	Qty - 1
Center Bar Foam, Lt.	Qty - 1	Center Bar Foam	Qty - 1
Rear Bar Foam, Rt.	Qty - 1	Rear Bar Foam, Lt.	Qty - 1
Rear Sport Bar Cover Fabric, Rt.	Qty - 1	Rear Sport Bar Cover Fabric, Lt.	Qty - 1
Horizontal Sport Bar Covers	Qty - 2	Rear Sport Bar Cover Extensions	Qty - 2
Adhesive Hook Strip, 5/8" x 40"	Qty - 1	Rear Sport Bar Cover Extension Foam	Qty - 2

IF YOUR VEHICLE HAS A SOFT TOP

Tools Needed

T-30 TORX Driver

Scissors

IF YOUR VEHICLE HAS A HARD TOP

Cut off factory sport bar covers and proceed to Step Three.



IF YOUR VEHICLE HAS A SOUND BAR

It may be easier to install the Center Sport Bar Cover if you loosen the bolts that secure the Sound Bar and move it to allow access to the rear of the Center Sport Bar. Once the Center Sport Bar Cover is installed the Sound Bar can be re-secured.

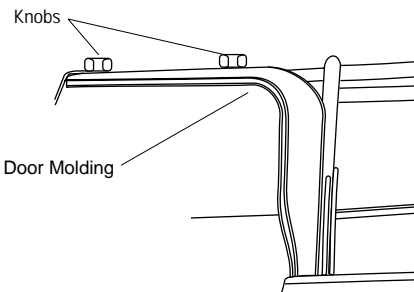
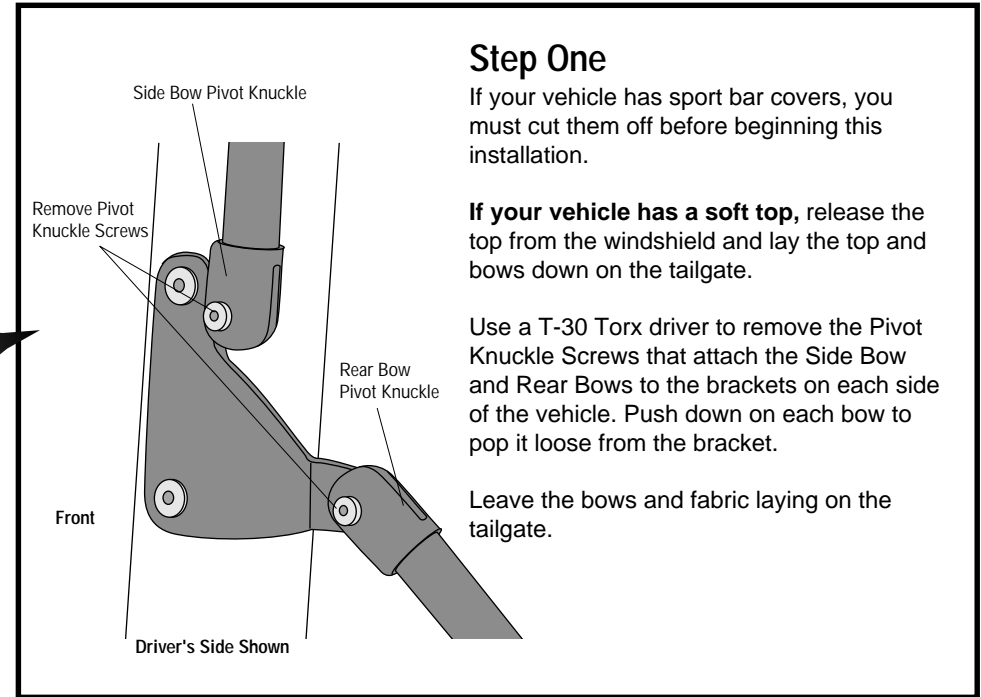
Step One

If your vehicle has sport bar covers, you must cut them off before beginning this installation.

If your vehicle has a soft top, release the top from the windshield and lay the top and bows down on the tailgate.

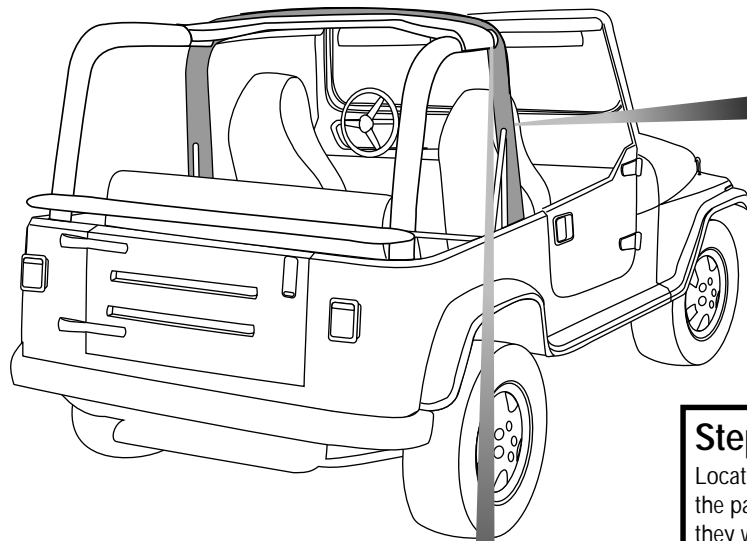
Use a T-30 Torx driver to remove the Pivot Knuckle Screws that attach the Side Bow and Rear Bows to the brackets on each side of the vehicle. Push down on each bow to pop it loose from the bracket.

Leave the bows and fabric laying on the tailgate.



Step Two

The installation of the Sport Bar Covers will be easier if the door molding is removed. To remove the door molding, unscrew the knobs above the door opening and lift the molding off of the vehicle.

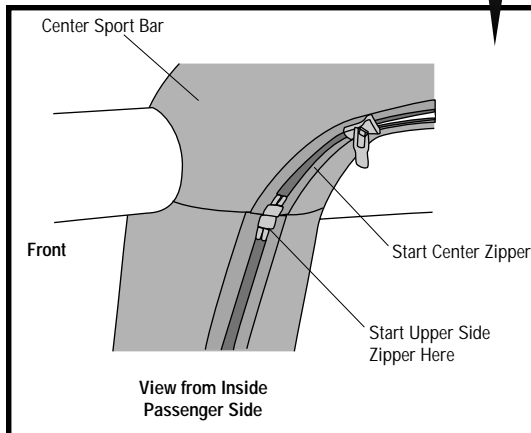


Step Three

Locate the Adhesive Hook Strip in the parts kit. Cut the strip into four 10" pieces. Install the hook strips on each side of the Seat Belt Adjustment Mount on both sides of the vehicle. The edge of the hook strip should be flush with the ridge along the rear of the mount.

Step Four

Locate the right and left Center Bar Foam pieces and the Center Sport Bar Cover Fabric in the parts kit. These will have cut outs for the seat belt adjustment mount and near the top they will have two holes for the front and rear sport bars. Lay the fabric out as flat as possible on a clean surface with the backing side up. Orient the openings in the foam with the openings in the legs of the fabric. When the proper position is determined, remove the protective strip from the back of the foam and press the adhesive strip on the foam to the fabric. Then locate a rectangular piece of foam in the parts kit that will fit across the top of the Center Sport Bar and install it between the left and right Center Bar Foam pieces.

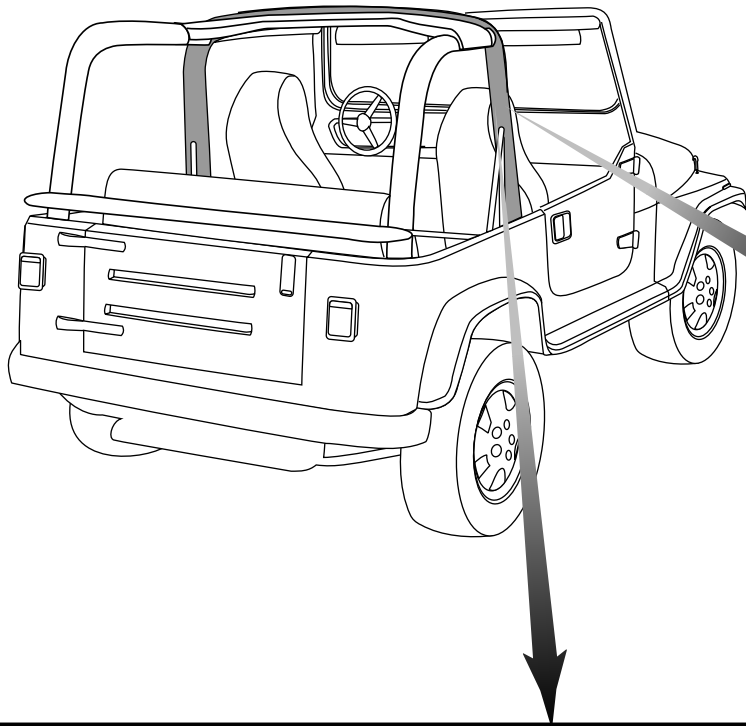


Step Five

Orient the Center Bar foam and fabric assembly with the Bestop Label on the passenger side and lay the assembly over the Center Sport Bar with the zippers toward the underside of the bar and the rectangular openings for the Seat Belt Adjustment Mounts toward the front. Slip the bottom of the legs behind the seat belts from inside the vehicle and wrap the cover around the bar.

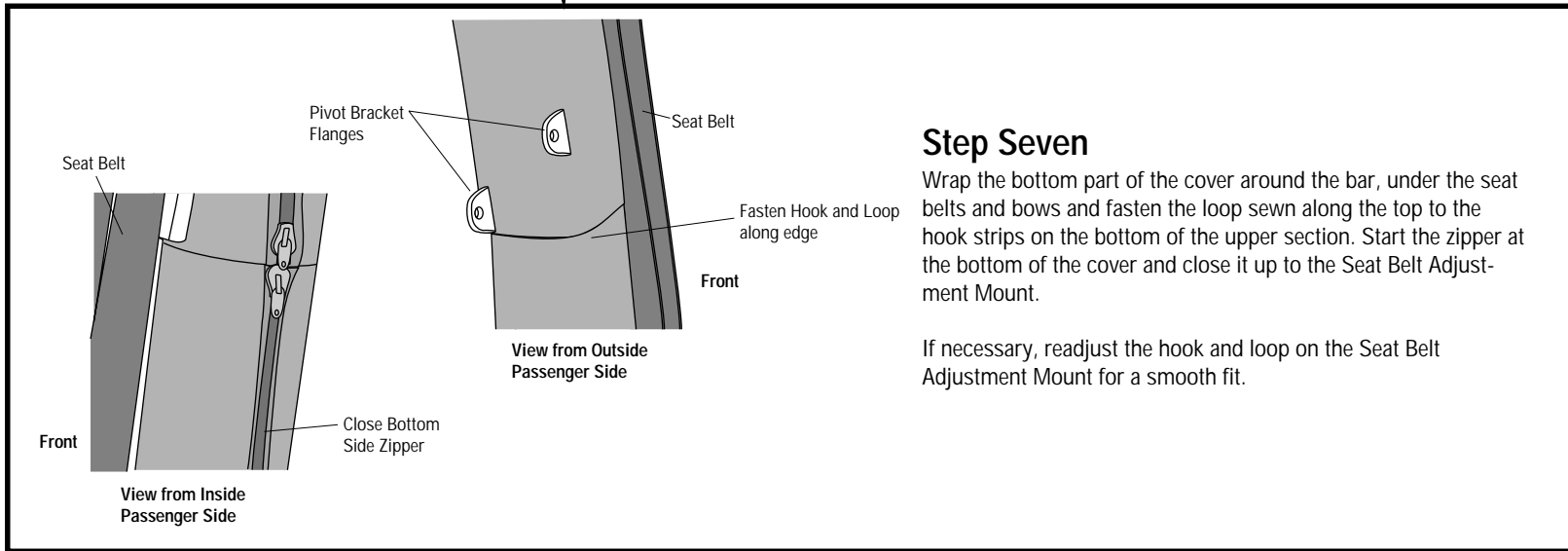
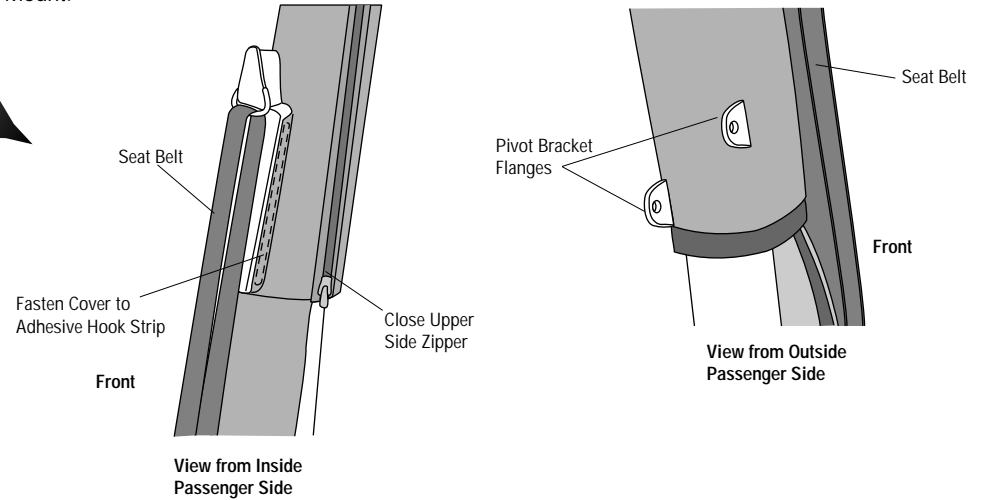
If you have a soft top, use a pair of scissors to cut a straight slit between each pair of drill holes in the fabric to create openings for the flanges of the Pivot Bracket on each side of the vehicle.

On the passenger side of the vehicle, start the center zipper and close it a few inches. Then start the upper side zipper and close it a few inches.



Step Six

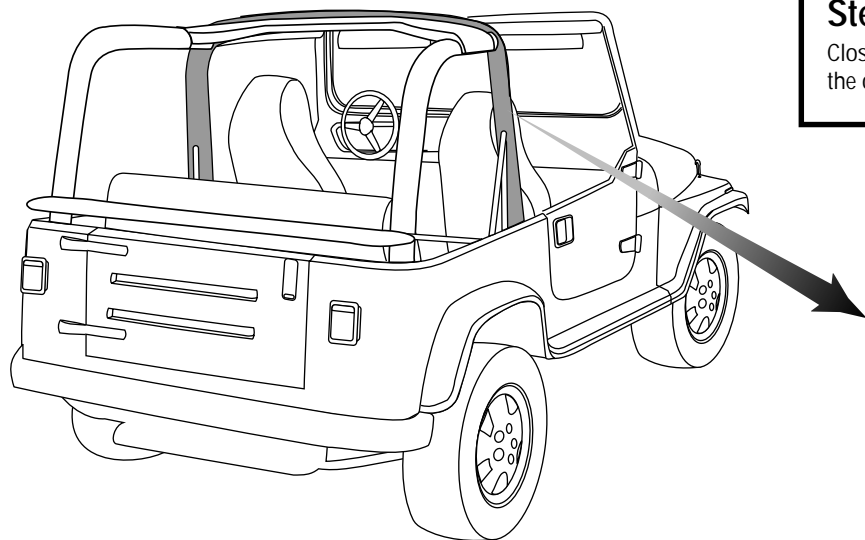
Fasten the loop strips in the cover to the Adhesive Hook strips on each side of the Seat Belt Adjustment Mount to help hold the cover in place. Wrap the top part of the cover around the bar. **If you have a soft top,** make sure that the flanges on the Pivot Brackets are through the slits cut in the fabric. Make sure that the loop strips sewn to the bottom edge are aligned. Close the Upper Side Zipper to the Seat Belt Adjustment Mount.



Step Seven

Wrap the bottom part of the cover around the bar, under the seat belts and bows and fasten the loop sewn along the top to the hook strips on the bottom of the upper section. Start the zipper at the bottom of the cover and close it up to the Seat Belt Adjustment Mount.

If necessary, readjust the hook and loop on the Seat Belt Adjustment Mount for a smooth fit.



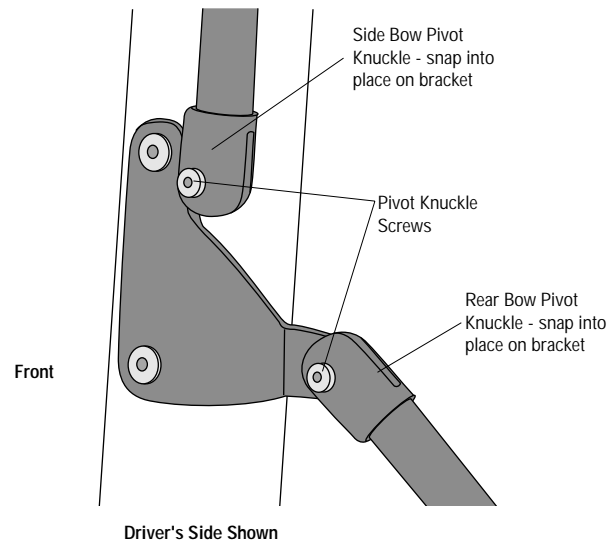
Step Eight

Close the Center Zipper across the top of the cover and repeat Steps Five through Seven on the other side of the vehicle.

Step Nine (soft top only)

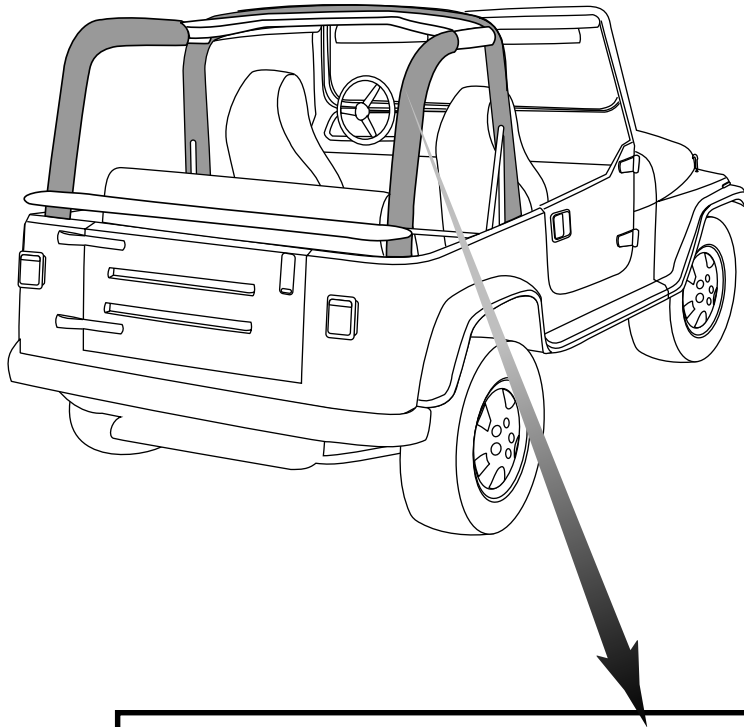
Re-Install the Side Bow Pivot Knuckles onto the upper flange of the Pivot Bracket. Align the knuckle with the bracket and it will snap into place on the bracket. Install a Pivot Knuckle Screw and tighten with T-30 Torx driver.

Re-Install the Rear Bow Pivot Knuckle Assemblies onto the lower flange of the Pivot Bracket. Make sure that the holes in the Pivot Knuckles are facing the outside of the vehicle. Align the knuckle with the bracket and it will snap into place on the bracket. Install a Pivot Knuckle Screw and tighten with T-30 Torx driver.



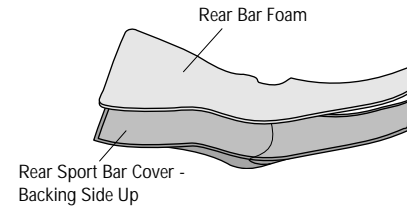
IF YOU LOOSENED YOUR SOUND BAR

to install the Center Sport Bar Cover, re-secure the Sound Bar when you have completed Step Seven.



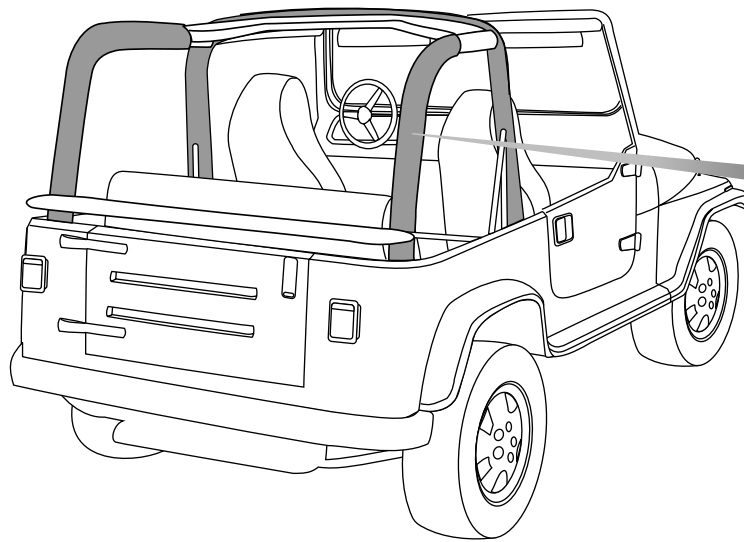
Step Ten

Locate the Left and Right Rear Sport Bar Cover and the Left and Right Rear Bar Foam in the parts kit. Lay the fabric as flat as possible on a clean surface with the backing side up and lay the matching foam piece on top with the adhesive strip down. When you have determined the proper position of the foam, remove the protective strip and attach the foam to the fabric with the adhesive strip.



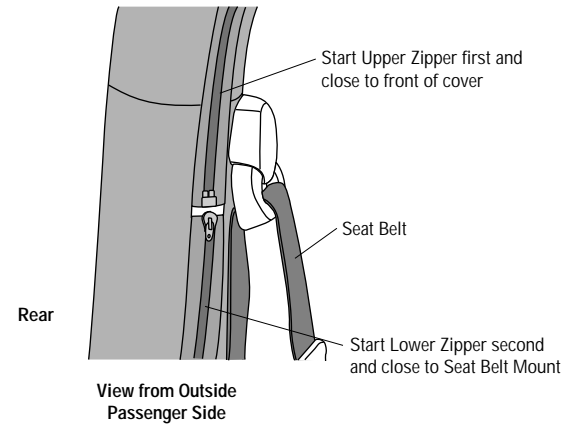
Step Eleven

Drape the cover over the Rear Sport Bar and fit the curve in the fabric over the curve in the bar.



Step Twelve

Start the upper zipper at the Seat Belt Mount and close it up to the end of the cover at the Sound Bar. Close the flap sewn to the cover over the zipper pull. Then start the lower zipper at the bottom of the cover and close it up to the Seat Belt Mount.



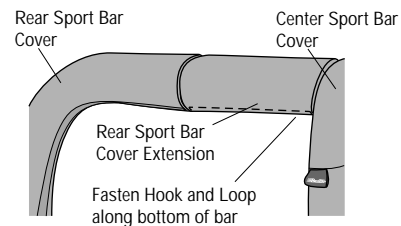
Step Thirteen

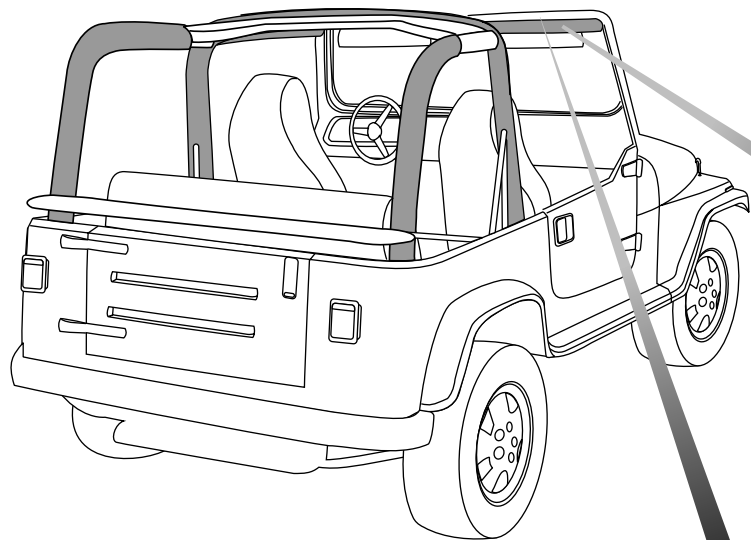
Repeat Steps Ten through Twelve on the other side of the vehicle.

IF YOU DO NOT HAVE A SOUND BAR

Locate the Rear Sport Bar Extension Foam pieces and the Rear Sport Bar Extensions in the parts kit. These will be small rectangular pieces. Lay the fabric out as flat as possible on a clean surface with the backing side up. When the proper position is determined, remove the protective strip from the back of the foam and press the adhesive strip on the foam to the fabric.

These will fill in the space where the Sound Bar would sit over the Rear Sport Bars. Open the zipper on the Rear Sport Bar Cover a few inches and wrap the extension around the bar so that the hook and loop edges fasten to each other along the bottom of the bar. Close the Rear Sport Bar Cover so that it overlaps the Rear Sport Bar Extension.

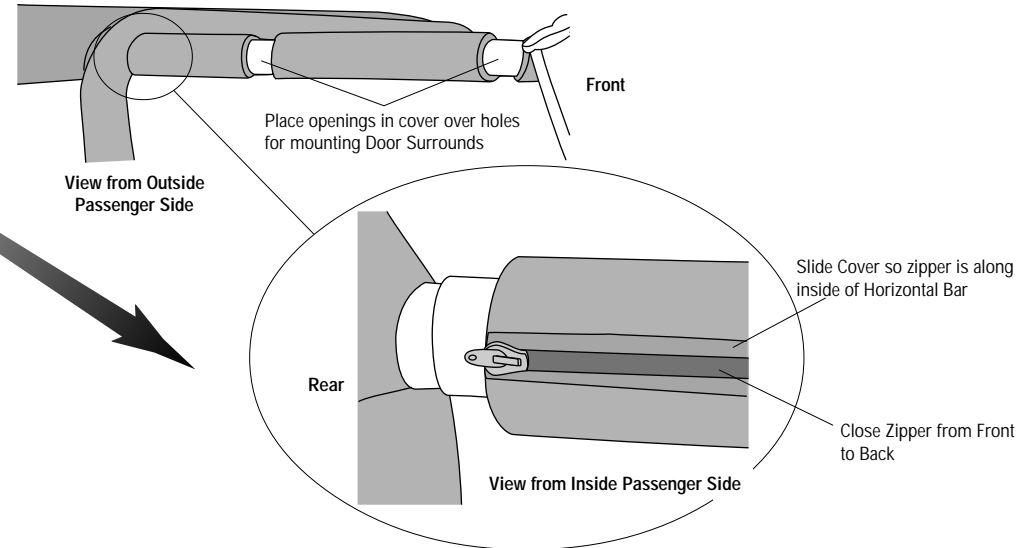




Step Fourteen

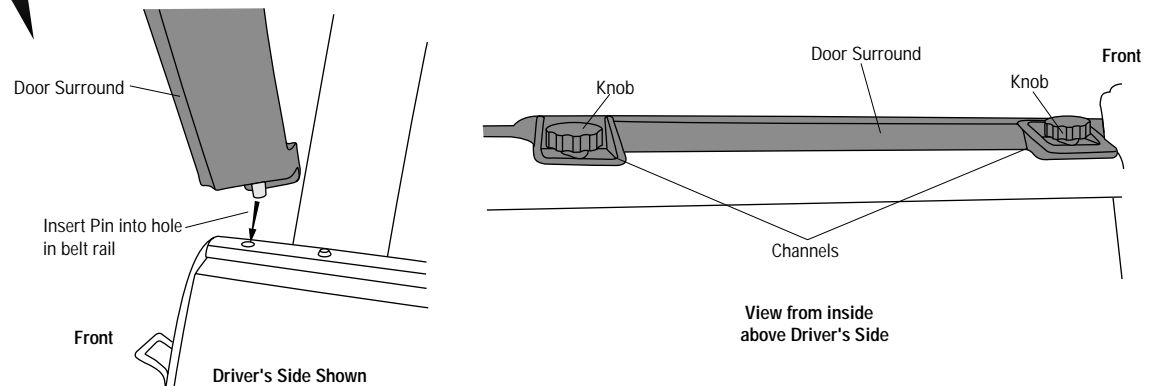
Locate a Horizontal Bar Cover in the parts kit and orient it with the openings in the cover over the mounting holes for the Door Surround. Wrap the cover around the bar and close the zipper from front to back. Slide the cover around the bar so that the zipper is along the inside of the bar and the openings are clear to accept the Door Surround.

Repeat this procedure on the other side of the vehicle.



Step Fifteen (soft top only)

Re-install the left and right Door Surrounds. Insert the pin in the bottom of the Door Surround into the hole in the belt rail behind the door. Press the channels along the top of the Door Surround around the horizontal sport bar, above the door opening. Insert two knobs into the Door Surround and tighten them down.



Care and Maintenance of your Sport Bar Covers

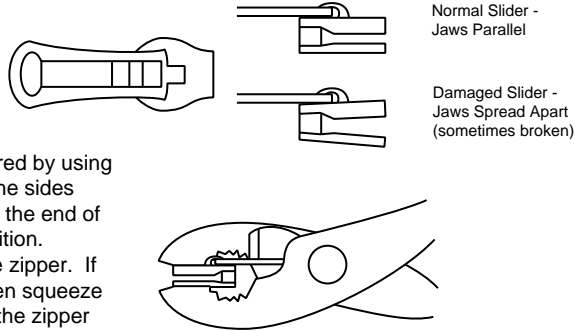
Your covers are made of the finest materials available. To keep them looking new and for the maximum possible wear, it will need periodic cleaning and maintenance.

Washing: The fabric should be washed often using soap, warm water and a soft bristle brush. Rinse with clear water to remove all traces of soap.

Zippers: Keeping the zipper cleaned and lubricated with a silicone lubricant will help prevent damage and keep the zippers in a smooth working condition. If a zipper opens behind the slider, the slider may have been spread apart.

This problem can usually be repaired by using an ordinary pair of pliers to bring the sides back into parallel. Return slider to the end of the zipper in the normal Open position.

Squeeze lightly at first and test the zipper. If the zipper continues to remain open squeeze more firmly with the pliers and try the zipper again. Repeat this procedure until the zipper operates correctly.



Water: In the event of seeping through the seams, 3M Scotchgard® may be applied on the inside of the seams to stop the seepage. Rips in the fabric may be repaired with Bondex® iron on patches. Iron the patches to the Inside of the top, carefully following the Bondex® instructions.

Snaps: Keep snaps cleaned and lubricated with silicone to help prevent snaps from sticking to the studs. If a snap does become stuck to a stud, use a screwdriver and GENTLY pry apart to prevent permanent damage to the snap or the top fabric.

LIMITED WARRANTY

We warrant our product to be free from defects in material and workmanship, for the terms specified below, provided there has been normal use and proper maintenance. This warranty applies to the original purchaser only. All remedies under this warranty are limited to the repair or replacement of any item or items found by the factory to be defective within the time period specified.

If you have a warranty claim, first you must call our factory at the number below for instructions. You must retain proof of purchase and submit a copy with any items returned for warranty work. Upon completion of warranty work, if any, we will return the repaired or replaced item or items to you freight prepaid. Damage to our products caused by accidents, fire, vandalism, negligence, misinstallation, misuse, Acts of God, or by defective parts not manufactured by us, is not covered under this warranty.

THE WARRANTY TIME PERIOD IS AS FOLLOWS: ALL "SOFT GOODS" MANUFACTURED BY OUR COMPANY (USING PRIMARILY VINYL, PLASTICS, AND/OR FOAM): ONE YEAR FROM DATE OF PURCHASE.

ANY IMPLIED WARRANTIES OF MERCHANTABILITY AND/OR FITNESS FOR A PARTICULAR PURPOSE CREATED HEREBY ARE LIMITED IN DURATION TO THE SAME DURATION AND SCOPE AS THE EXPRESS WRITTEN WARRANTY. OUR COMPANY SHALL NOT BE LIABLE FOR ANY INCIDENTAL OR CONSEQUENTIAL DAMAGE.

Some states do not allow limitations on how long an implied warranty lasts, or the exclusion or limitation of incidental or consequential damages, so the above limitations or exclusions may not apply to you.

This warranty gives you specific legal rights, and you may also have other rights which vary from state to state.

For further information or request for warranty work, please contact:

Bestop Inc.
Customer Service
(800)845-3567
(303)465-1755