



Bestop Trail Max Console

Installation Instructions

For: CJ5 (1976 - 1983), CJ7, CJ8 and Wrangler YJ (1987 - 1995)

Part Number: 81675 / 81677

US Patent D432,076

WARNING

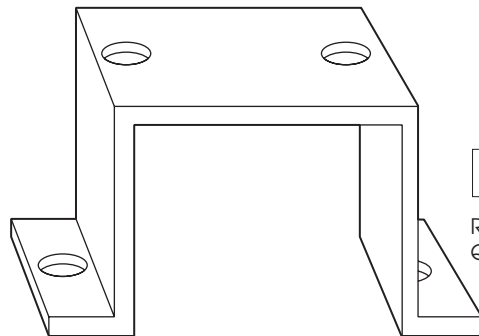
This product is designed primarily to enhance the appearance of the vehicle and to shield the occupants from ordinary weather conditions. Do not rely in any way on the components of this product to contain occupants within the vehicle, or to protect against injury or death in the event of an accident. This product will not protect the occupants from falling objects. Never operate vehicle in excess of manufacturer's specifications.

WEAR SEAT BELTS AT ALL TIMES

Read and follow, precisely, all installation instructions provided when installing the console. Failure to do so may result in poor mechanical performance. Professional installation is recommended.

Parts List and Hardware Identification

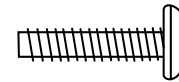
Console Box Qty - 1



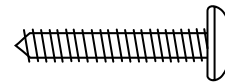
Rear Mounting Bracket,
Qty - 1, Part Number 288.38

Tools Needed

1/16", 3/16" Drill Bits and Drill Motor
Phillips Screwdriver
Pencil
Silicone Sealant (Optional)



#8-32 x 3/4" Pan Head Machine
Screw, Qty - 2, Part Number 361.08



#6x1" Pan Head Screw, Qty - 4,
Part Number 361.10



#8-32 KSP Nut, Qty - 2, Part
Number 361.09



1/8" Steel Washer, Qty - 4, Part
Number 361.84



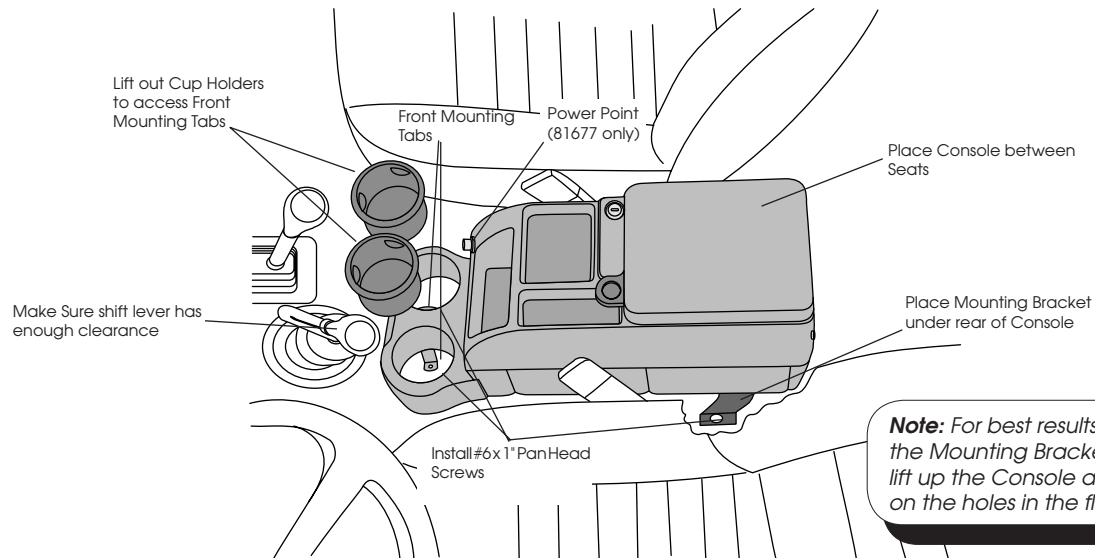
Splicing Connector, Qty - 2,
Part Number 359.59 (81677 only)

CJ7, CJ8 and Wrangler YJ Vehicles

Step One

Place the Console between the seats. Slip the Rear Mounting Bracket under the rear of the Console, with the legs on the floor. Adjust the console forward or back to make sure that there is enough clearance for the gear shift lever to reach all gears. When the proper position for the Console is established, mark the location of the Rear Mounting Bracket on the bottom of the Console with a pencil. Remove the Console from the vehicle. Use the Rear Mounting Bracket as a template to mark, center punch and drill two 3/16" holes through the bottom of the console. Secure the bracket with two #8-32 x 3/4" Pan Head Machine Screws, two 1/8" Steel Washers and two #8-32 KSP Nuts.

Warning: Check for wiring and fuel lines before drilling holes in floor.



Note: For best results, after drilling the holes for the Mounting Bracket in the floor of the vehicle, lift up the Console and put a little silicone sealer on the holes in the floor.

Step Two

Replace the Console between the seats, making sure that there is clearance for the gear shift lever. Use the Rear Mounting Bracket as guides and drill two 1/16" holes in the floor board of the vehicle. Mount the rear of the Console to the floor using the two #6 x 1" Pan Head Screws.

Step Three

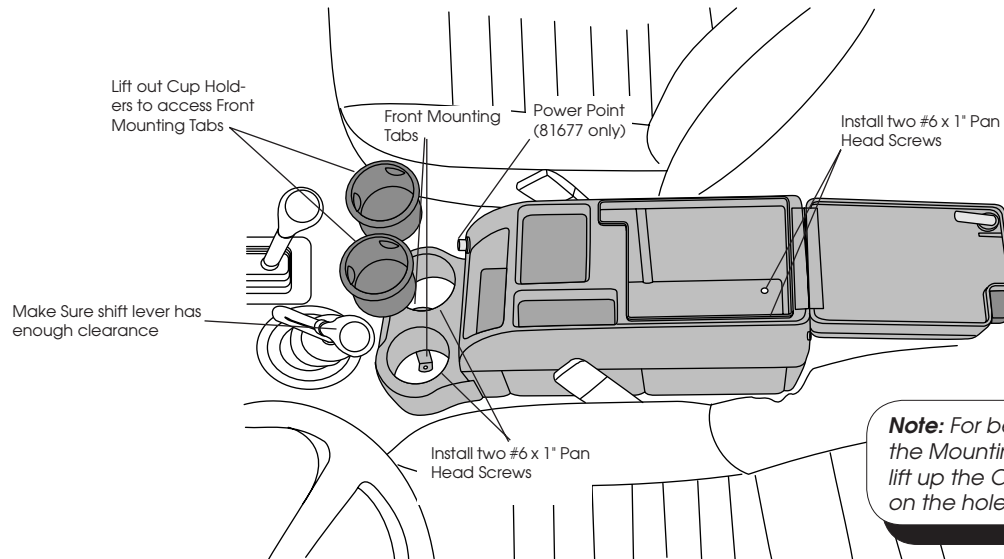
Lift the removable cup holders out of the Console and locate the front mounting tabs. Use the holes in the tabs as a template to drill two 1/16" holes in the floor board. Mount the front of the Console to the floor using the two #6 x 1" Pan Head Screws and two 1/8" Steel Washers.

CJ5 (1976 - 1983) Vehicles

Step One

Place the Console between the seats. Adjust the console forward or back to make sure that there is enough clearance for the gear shift lever to reach all gears. When the proper position for the Console is established, lift the removable cup holders out of the Console and locate the front mounting tabs. Use the holes in the tabs as a template to drill two 1/16" holes in the floor board. Mount the front of the Console to the floor using the two #6 x 1" Pan Head Screws and two 1/8" Steel Washers.

Warning: Check for wiring and fuel lines before drilling holes in floor.



Note: For best results, after drilling the holes for the Mounting Bracket in the floor of the vehicle, lift up the Console and put a little silicone sealer on the holes in the floor.

Step Two

Open the Console and drill two 3/16" holes in the rear of the Console. Use these holes as guides to drill two 1/16" holes in the floor board of the vehicle. Mount the rear of the Console to the floor using the two #6 x 1" Pan Head Screws and two 1/8" Steel Washers.

12V Installation (81677 only)

The 81677 Console has an active Power Point.

Bestop recommends that this be Professionally Installed. Leads should be run from the Power Point and spliced into a 12 volt power source under the dash using the splicing connectors provided. The red lead is positive and the black lead is negative. A 5 amp in-line fuse is provided for safety.



LIMITED WARRANTY

We warrant our product to be free from defects in material and workmanship, for the terms specified below, provided there has been normal use and proper maintenance. This warranty applies to the original purchaser only. All remedies under this warranty are limited to the repair or replacement of any item or items found by the factory to be defective within the time period specified. If you have a warranty claim, first you must call our factory at the number below for instructions. You must retain proof of purchase and submit a copy with any items returned for warranty work. Upon completion of warranty work, if any, we will return the repaired or replaced item or items to you freight prepaid. Damage to our products caused by accidents, fire, vandalism, negligence, misinstallation, misuse, Acts of God, or by defective parts not manufactured by us, is not covered under this warranty.

THE WARRANTY TIME PERIOD IS AS FOLLOWS FOR REPLACE-A-TOP™, SAILCLOTH REPLACE-A-TOP™, SUPERTOP®, SUPERTOP® REPLACEMENT SKINS, SUNRIDER®, AND TIGERTOP®: TWO YEARS FROM DATE OF PURCHASE.

THE WARRANTY TIME PERIOD IS AS FOLLOWS FOR ALL OTHER "SOFT GOODS" MANUFACTURED BY OUR COMPANY (USING PRIMARILY VINYL, PLASTICS, AND/OR FOAM): ONE YEAR FROM DATE OF PURCHASE.

THE WARRANTY TIME PERIOD IS AS FOLLOWS FOR ALL OTHER "HARD GOODS" MANUFACTURED BY OUR COMPANY (USING PRIMARILY METALS, PLASTICS, AND/OR FIBERGLASS): ONE YEAR FROM DATE OF PURCHASE.

ANY IMPLIED WARRANTIES OF MERCHANTABILITY AND/OR FITNESS FOR A PARTICULAR PURPOSE CREATED HEREBY ARE LIMITED IN DURATION TO THE SAME DURATION AND SCOPE AS THE EXPRESS WRITTEN WARRANTY. OUR COMPANY SHALL NOT BE LIABLE FOR ANY INCIDENTAL OR CONSEQUENTIAL DAMAGE.

Some states do not allow limitations on how long an implied warranty lasts, or the exclusion or limitation of incidental or consequential damages, so the above limitations or exclusions may not apply to you. This warranty gives you specific legal rights, and you may also have other rights which vary from state to state.

For further information or request for warranty work, please contact:

Bestop Inc., Customer Service

Toll-Free: (800)845-3567

Main: (303)465-1755

E-mail: csbestop@Bestop.com

Website: www.Bestop.com

